

Hikaria™ Series
Garden and Street Lighting

Catalogue 2023



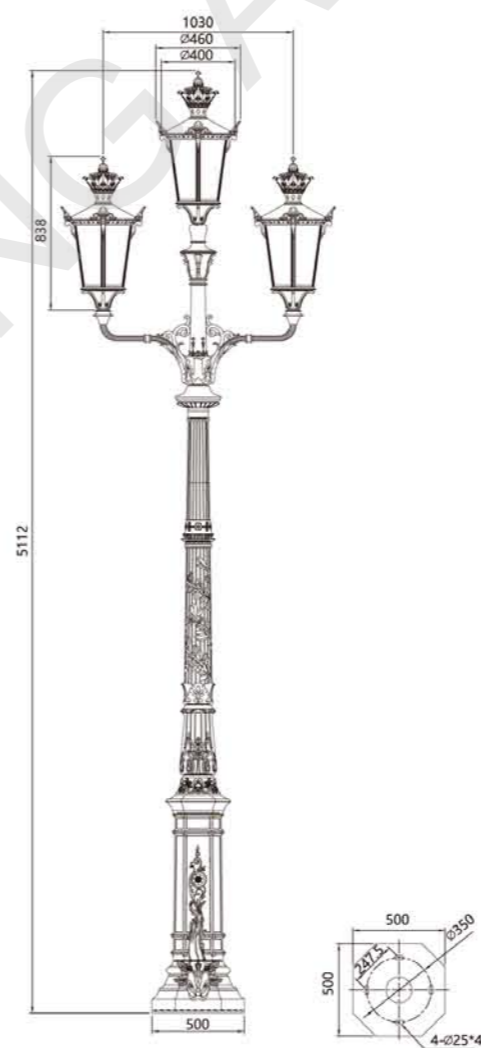
GARDEN LIGHT SERIES





GARDEN LIGHT

- Body: Made of cast aluminum with treatment of anti-corrosion and UV-proof powder coating.
- Diffuser: Clear polycarbonate.
- Fastener: 304 stainless steel.



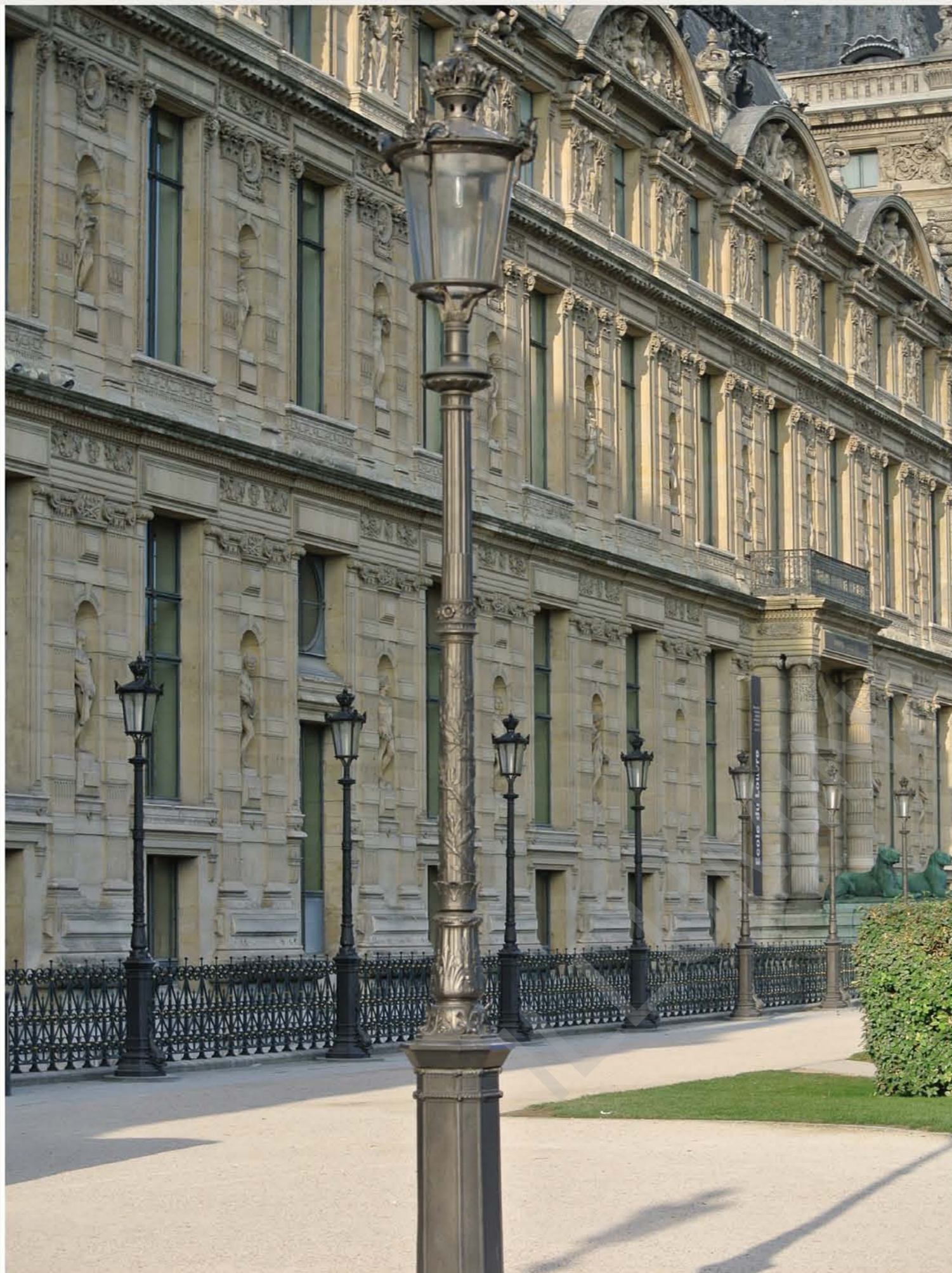
DHK-9001

Lamp: LED
 LED Power: 30Wx3
 Voltage: 90-260V 50/60Hz

Color Temperature

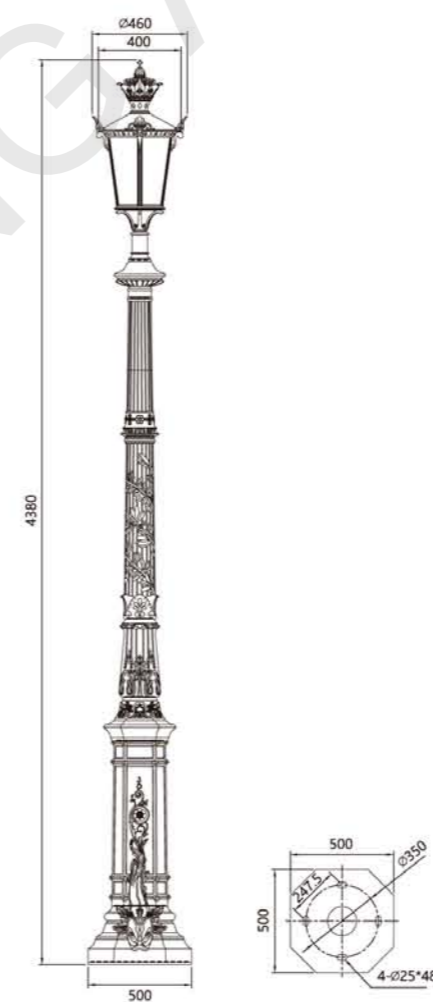
3000K
 6000K





GARDEN LIGHT

- Body: Made of cast aluminum with treatment of anti-corrosion and UV-proof powder coating.
- Diffuser: Clear polycarbonate.
- Fastener: 304 stainless steel.



DHK-9002

Lamp: LED
LED Power: 30W
Voltage: 90-260V 50/60Hz

Color Temperature

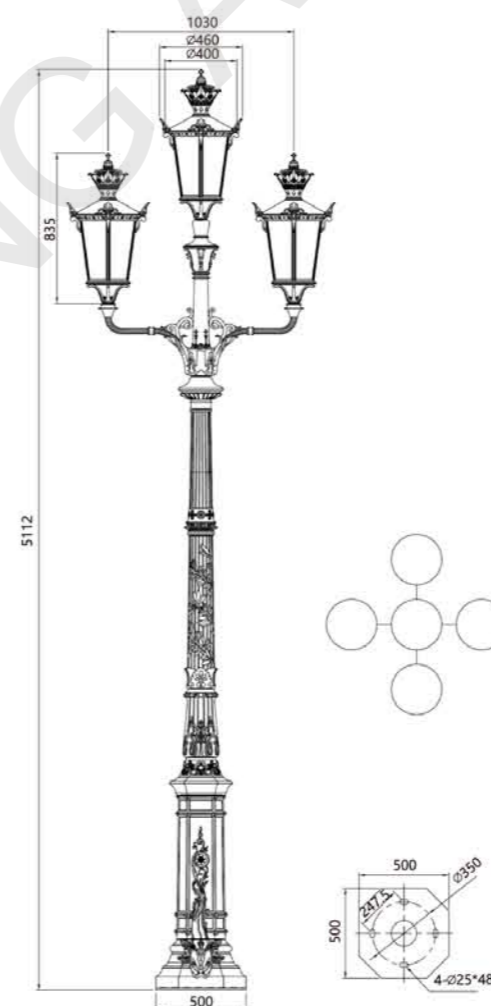
- 3000K
 6000K





GARDEN LIGHT

- Body: Made of cast aluminum with treatment of anti-corrosion and UV-proof powder coating.
- Diffuser: Clear polycarbonate.
- Fastener: 304 stainless steel.



DHK-9003

Lamp: LED
LED Power): 30Wx5
Voltage: 90-260V 50/60Hz

Color Temperature

- 3000K
 6000K





GARDEN LIGHT

- Body: Made of cast aluminum with treatment of anti-corrosion and UV-proof powder coating.
- Diffuser: Opal polycarbonate.
- Fastener: 304 stainless steel.



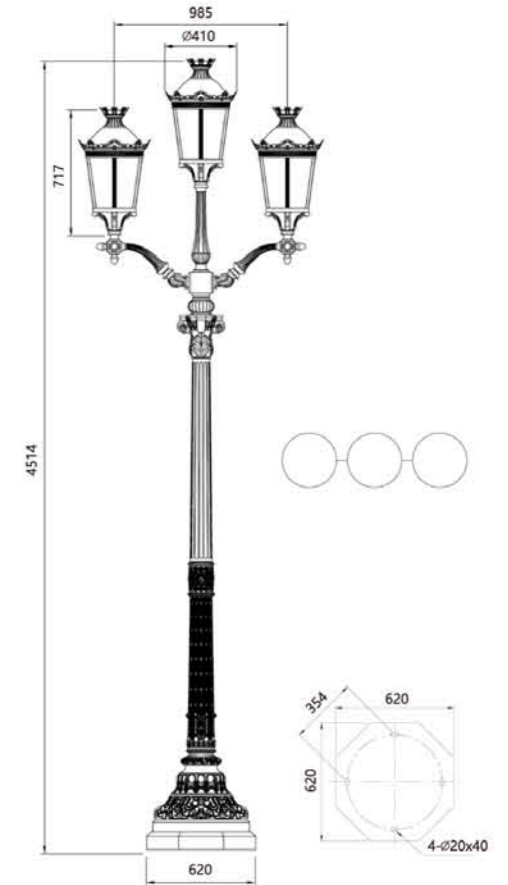
DHK-9004
 Lamp: LED
 LED Power: 30Wx1
 Voltage: 90-260V 50/60Hz

Color Temperature
 3000K
 6000K



GARDEN LIGHT

- Body: Made of cast aluminum with treatment of anti-corrosion and UV-proof powder coating.
- Diffuser: Opal polycarbonate.
- Fastener: 304 stainless steel.



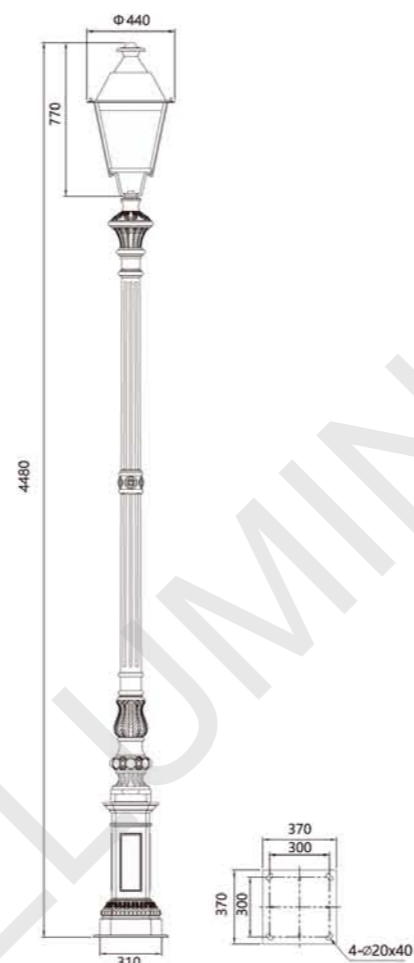
DHK-9005
 Lamp: LED
 LED Power: 30Wx3
 Voltage: 90-260V 50/60Hz

Color Temperature
 3000K
 6000K



GARDEN LIGHT

- Body: Made of cast aluminum with treatment of anti-corrosion and UV-proof powder coating.
- Diffuser: Clear glass.
- Fastener: 304 stainless steel.



DHK-9006

Lamp: LED
LED Power: 30W
Voltage: 90-260V 50/60Hz

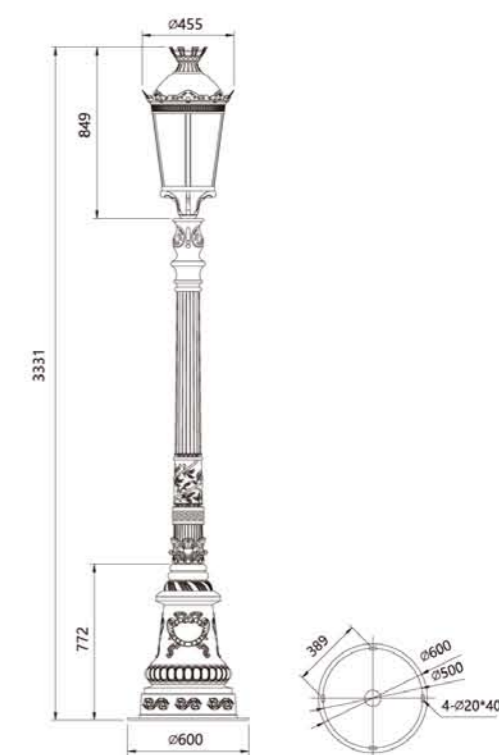
Color Temperature

- 3000K
 6000K



GARDEN LIGHT

- Body: Made of cast aluminum with treatment of anti-corrosion and UV-proof powder coating.
- Diffuser: Opal polycarbonate.
- Fastener: 304 stainless steel.



DHK-9007

Lamp: LED
LED Power: 30W
Voltage: 90-260V 50/60Hz

Color Temperature

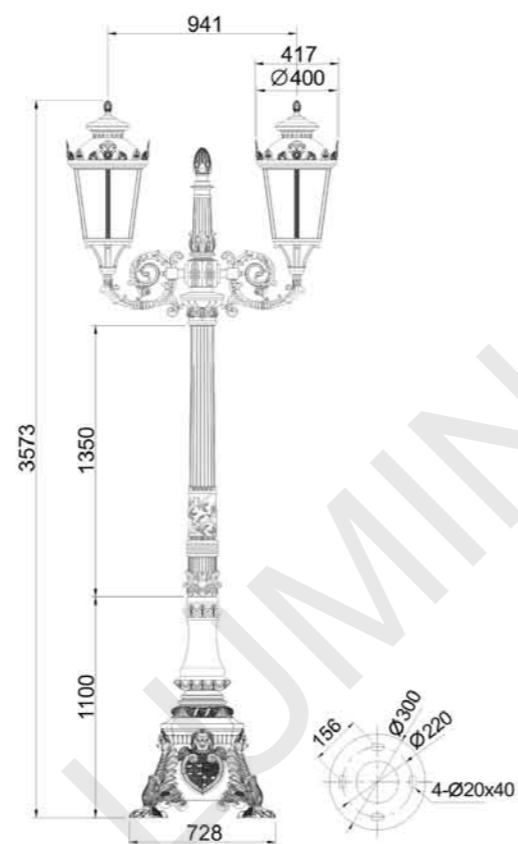
- 3000K
 6000K





GARDEN LIGHT

- Body: Made of cast aluminum with treatment of anti-corrosion and UV-proof powder coating.
- Diffuser: Opal polycarbonate.
- Fastener: 304 stainless steel.



DHK-9008

Lamp: LED
LED Power: 30Wx2
Voltage: 90-260V 50/60Hz

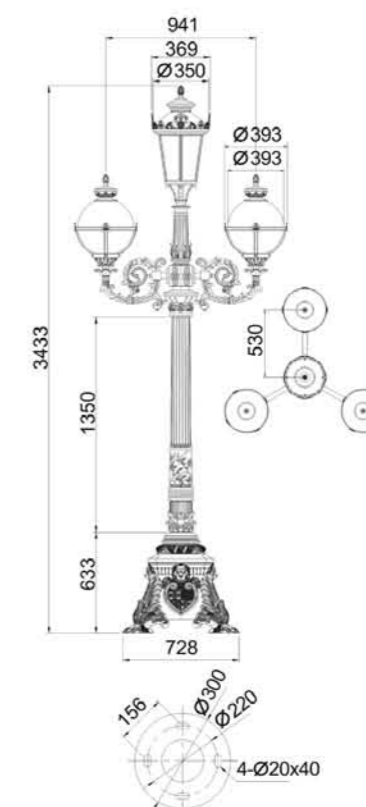
Color Temperature

- 3000K
 6000K



GARDEN LIGHT

- Body: Made of cast aluminum with treatment of anti-corrosion and UV-proof powder coating.
- Diffuser: Opal polycarbonate, Opal plastic.
- Fastener: 304 stainless steel.



DHK-9009

Lamp: LED
LED Power: 20-30Wx4
Voltage: 90-260V 50/60Hz

Color Temperature

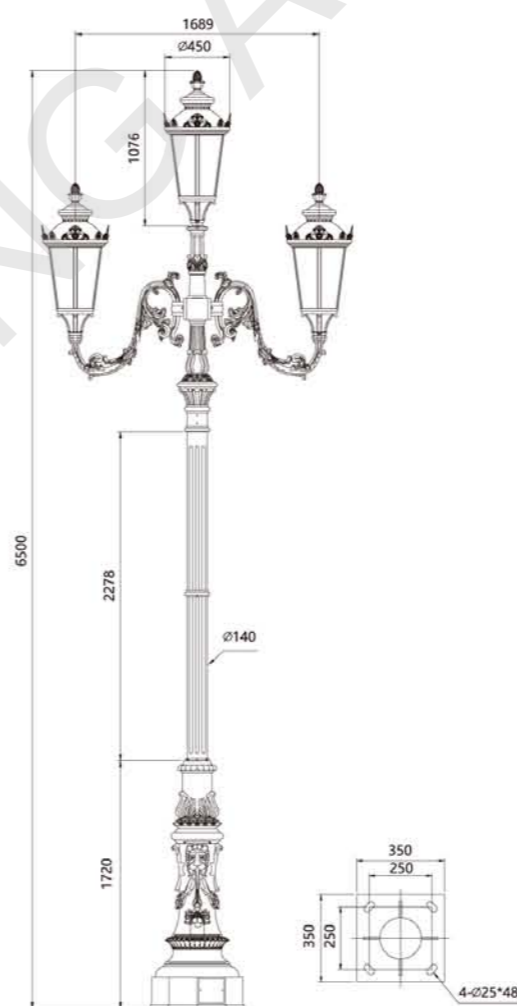
- 3000K
 6000K





GARDEN LIGHT

- Body: Made of cast aluminum and iron with treatment of corrosion protection and UV-proof powder coating.
- Diffuser: Opal polycarbonate.
- Fastener: 304 stainless steel.



DHK-9010

Lamp: LED
 LED Power: 30Wx5
 Voltage: 90-260V 50/60Hz

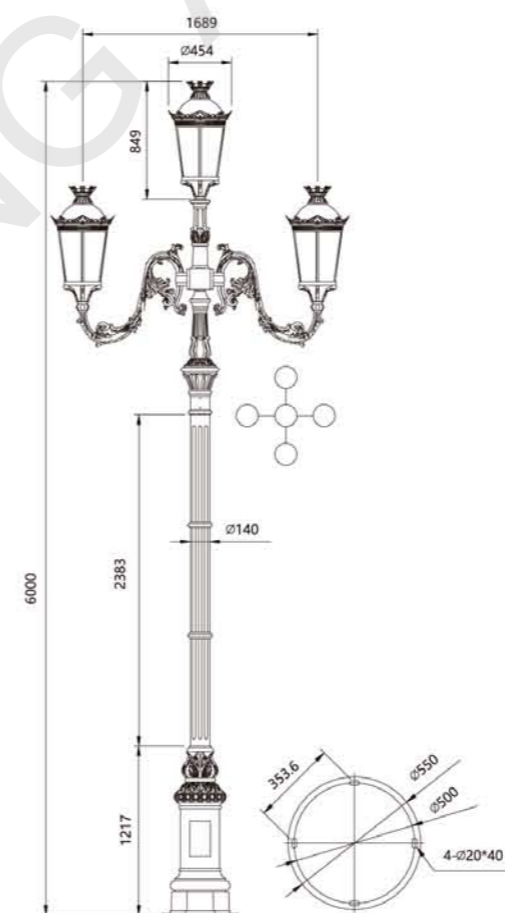
Color Temperature

- 3000K
- 6000K



GARDEN LIGHT

- Body: Made of cast aluminum and iron with treatment of corrosion protection and UV-proof powder coating.
- Diffuser: Opal polycarbonate.
- Fastener: 304 stainless steel.

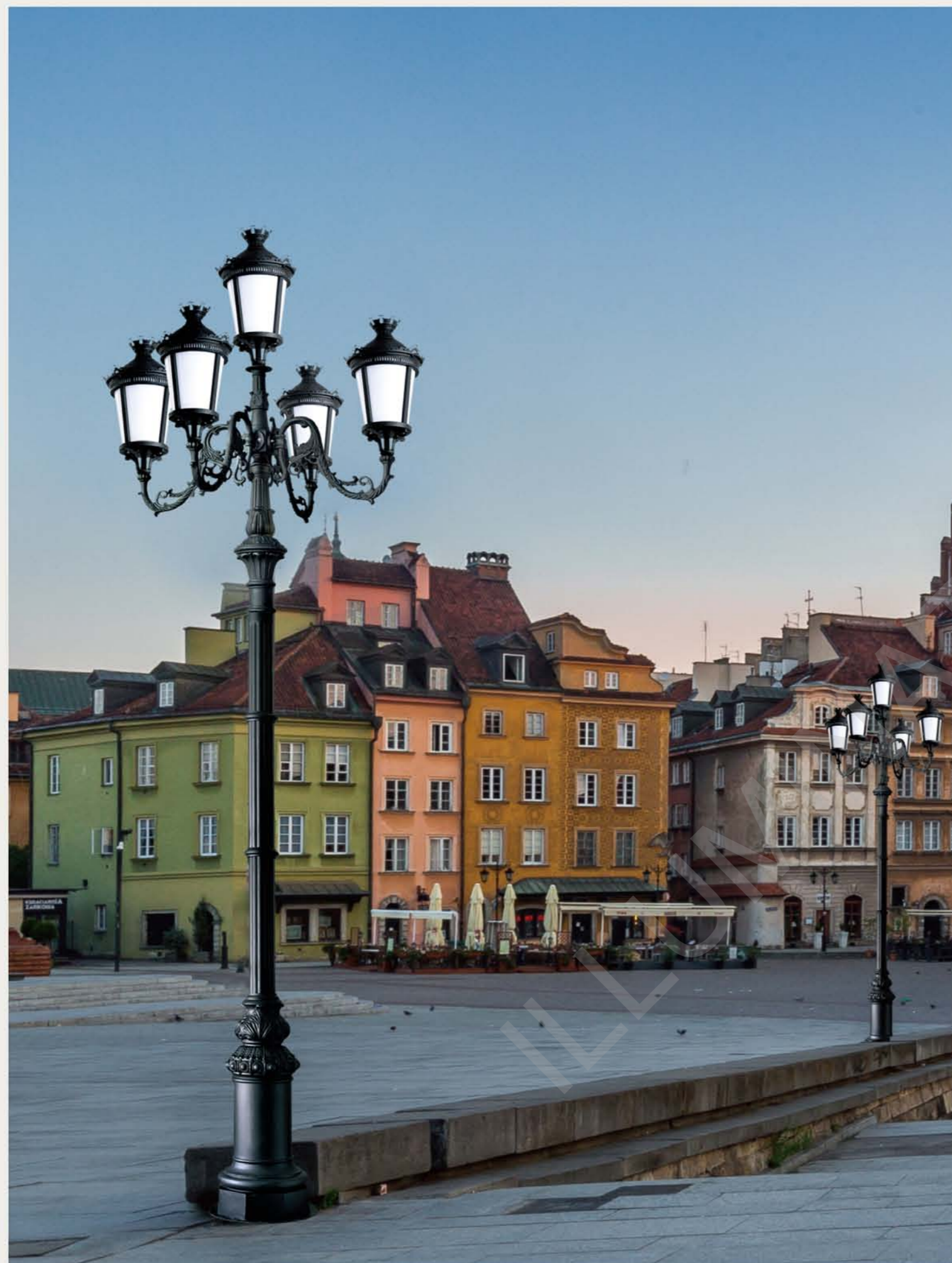


DHK-9011

Lamp: LED
LED Power: 30Wx5
Voltage: 90-260V 50/60Hz

Color Temperature

3000K
6000K



GARDEN LIGHT

- Body: Made of cast aluminum with treatment of anti-corrosion and UV-proof powder coating.
- Diffuser: Opal polycarbonate.
- Fastener: 304 stainless steel.



DHK-9012
 Lamp: LED
 LED Power: 30Wx2
 Voltage: 90-260V 50/60Hz

Color Temperature

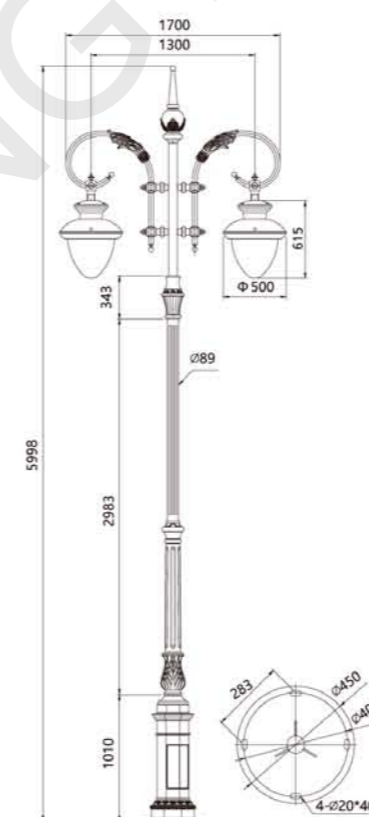
- 3000K
- 6000K





GARDEN LIGHT

- Body: Made of cast aluminum and iron with treatment of corrosion protection and UV-proof powder coating.
- Diffuser: Opal polycarbonate.
- Fastener: 304 stainless steel.



DHK-9013

Lamp: LED
LED Power: 50Wx2
Voltage: 90-260V 50/60Hz

Color Temperature

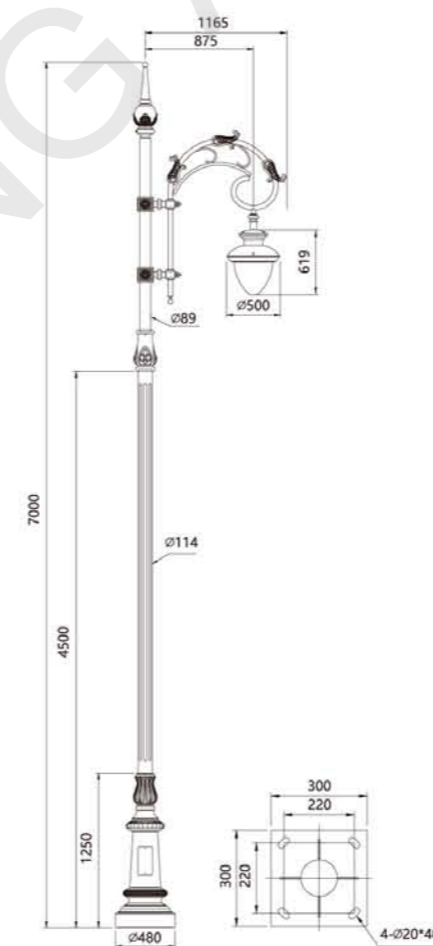
3000K
 6000K





GARDEN LIGHT

- Body: Made of cast aluminum and iron with treatment of corrosion protection and UV-proof powder coating.
- Diffuser: Opal polycarbonate.
- Fastener: 304 stainless steel.



DHK-9014

Lamp: LED

LED Power: 50W

Voltage: 90-260V 50/60Hz

Color Temperature

3000K

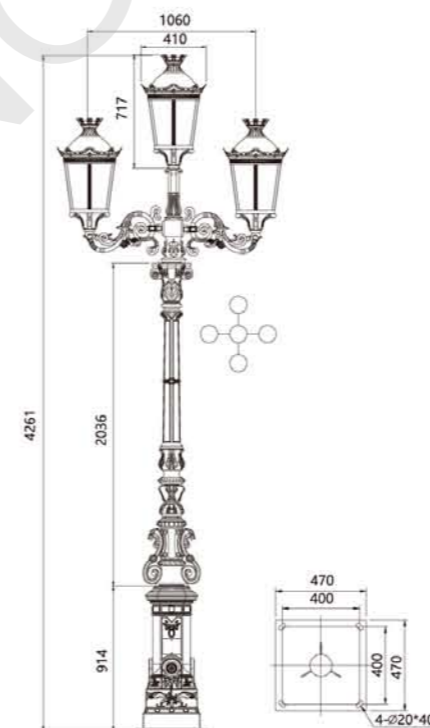
6000K





GARDEN LIGHT

- Body: Made of cast aluminum with treatment of anti-corrosion and UV-proof powder coating.
- Diffuser: Opal polycarbonate.
- Fastener: 304 stainless steel.



DHK-9015

Lamp: LED
LED Power: 30Wx5
Voltage: 90-260V 50/60Hz

Color Temperature

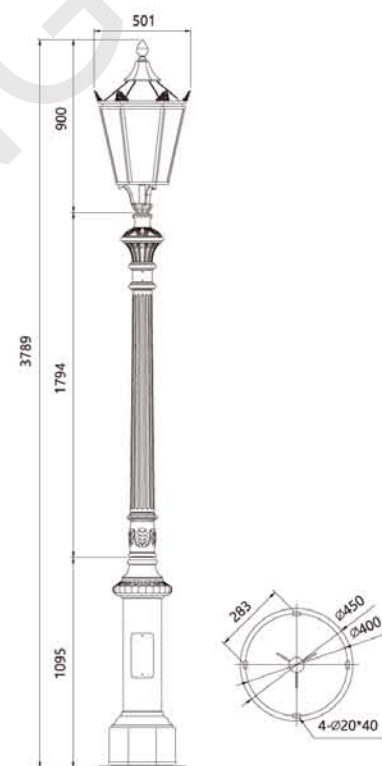
- 3000K
 6000K





GARDEN LIGHT

- Body: Made of cast aluminum with treatment of anti-corrosion and UV-proof powder coating.
- Diffuser: Frosted glass.
- Fastener: 304 stainless steel.



DHK-9016

Lamp: LED
LED Power: 30W
Voltage: 90-260V 50/60Hz

Color Temperature

- 3000K
 6000K





GARDEN LIGHT

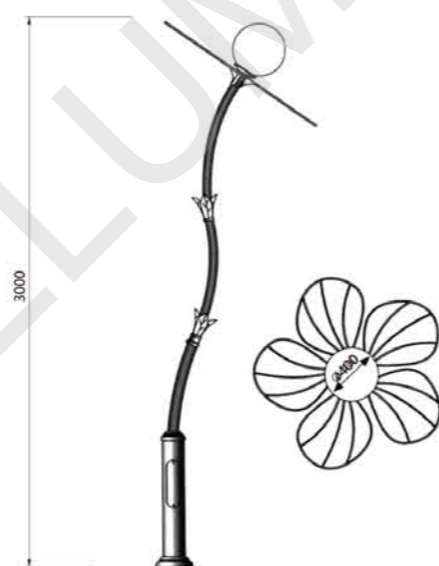
- Body: Made of cast aluminum and iron with treatment of corrosion protection and UV-proof powder coating.
- Diffuser: PMMA.
- Fastener: 304 stainless steel.

DHK-9017

Lamp: LED
LED Power: 30W
Voltage: 90-260V 50/60Hz

Color Temperature

- 3000K
 6000K

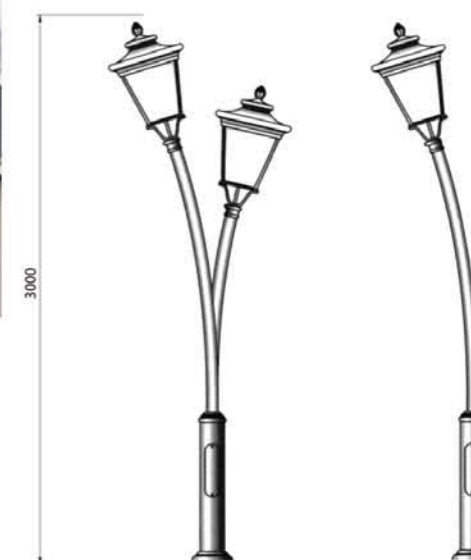


DHK-9018

Lamp: LED
LED Power: 30W
Voltage: 90-260V 50/60Hz

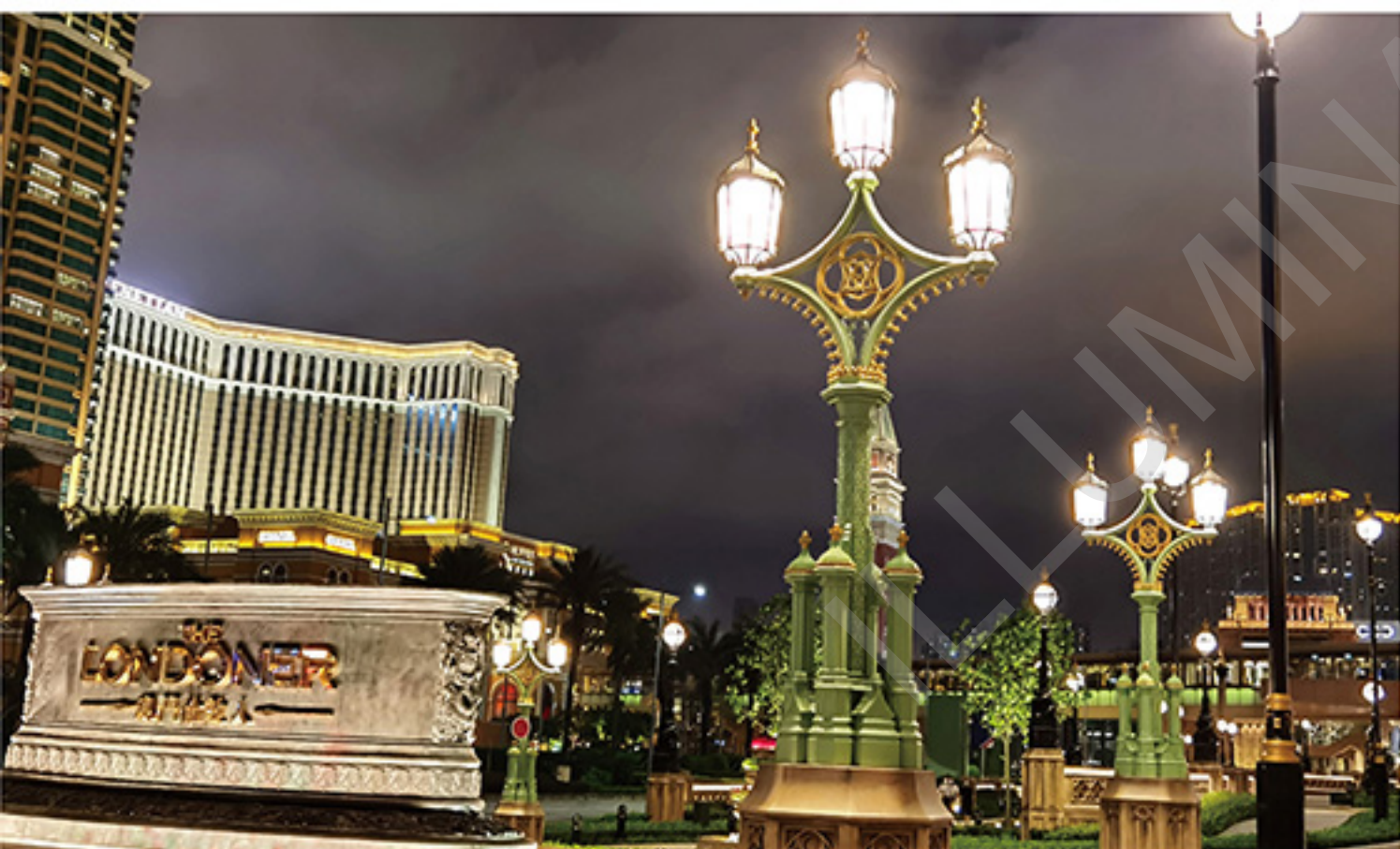
Color Temperature

- 3000K
 6000K



GARDEN LIGHT

- Body: Made of cast aluminum and iron with treatment of corrosion protection and UV-proof powder coating.
- Diffuser: Glass.
- Fastener: 304 stainless steel.



DHB-1001

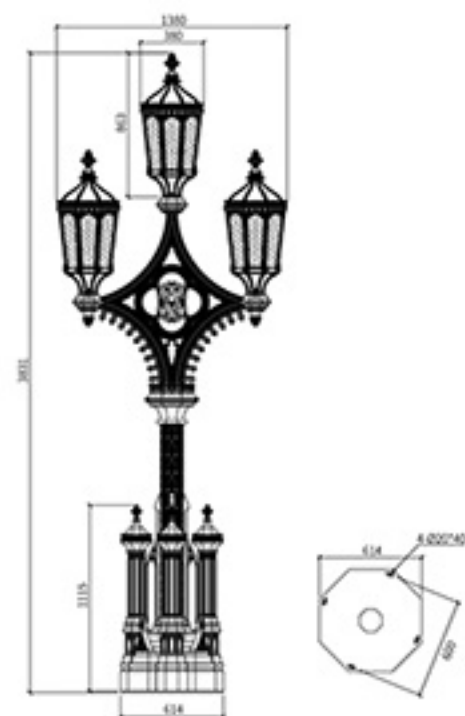
- Body: Made of aluminum with treatment of anti-corrosion and UV-proof powder coating.
- Diffuser: Clear glass.
- Fastener: 304 stainless steel.

	Sand Black
	Green
	Sand Silver
	Gray Metal Sand Grain

Lamp	Power	Voltage	Color Temperature
LED	3x50W	90-260V 50/60Hz	<input type="checkbox"/> 3000K <input type="checkbox"/> 6000K




Dimensions





DHB-1002

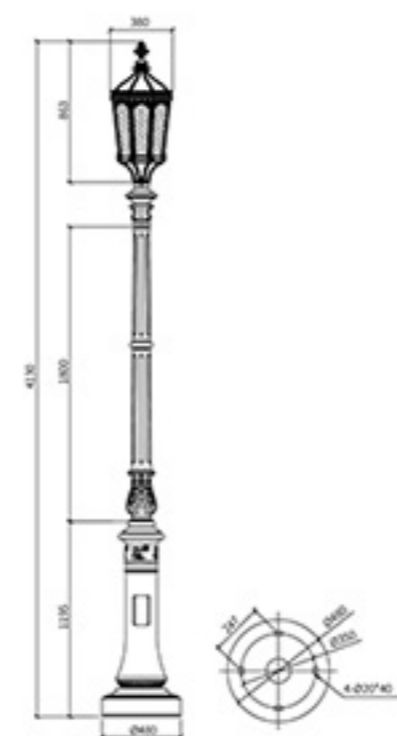
- Body: Made of aluminum with treatment of anti-corrosion and UV-proof powder coating.
- Diffuser: Glass.
- Fastener: 304 stainless steel.

	Sand Black
	Dark Grey
	Sand Green
	Gray Metal Sand Grain

Lamp	Power	Voltage	Color Temperature
LED	50W	90-260V 50/60Hz	<input checked="" type="checkbox"/> 3000K <input type="checkbox"/> 6000K



Dimensions



Garden Light Series

DHB-1003

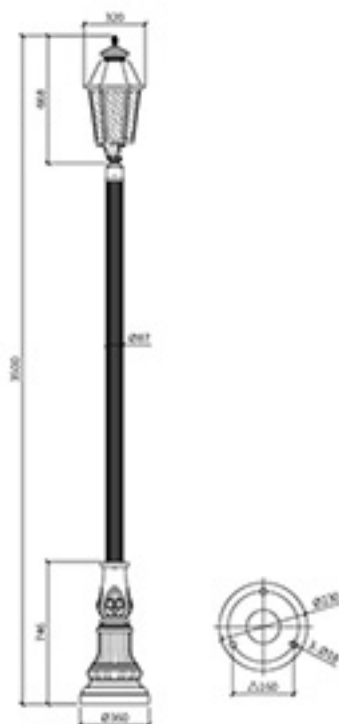
- Body: Made of aluminum with treatment of anti-corrosion and UV-proof powder coating.
- Diffuser: Frosted glass.
- Fastener: 304 stainless steel.

	Sand Black
	Dark Grey
	Sand Silver
	Gray Metal Sand Grain

Lamp	Power	Voltage	Color Temperature
LED	30W	90-260V 50/60Hz	<input type="checkbox"/> 3000K <input type="checkbox"/> 6000K



Dimensions



DHB-1004

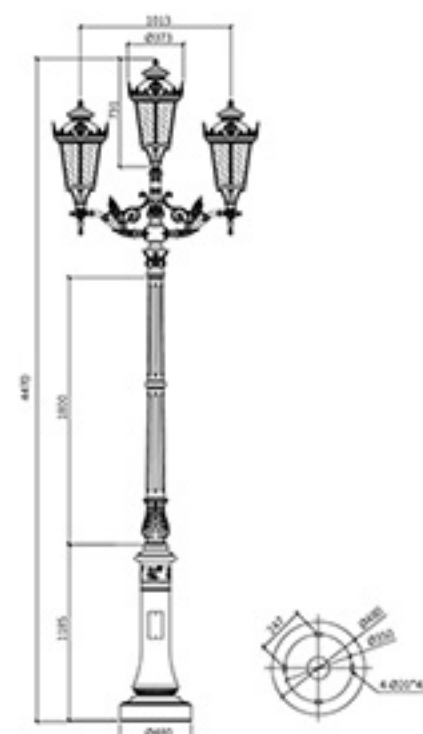
- Body: Made of aluminum with treatment of anti-corrosion and UV-proof powder coating.
- Diffuser: Opal polycarbonate.
- Fastener: 304 stainless steel.

	Sand Black
	Dark Grey
	Sand Silver
	Gray Metal Sand Grain

Lamp	Power	Voltage	Color Temperature
LED	3x30W	90-260V 50/60Hz	<input type="checkbox"/> 3000K <input type="checkbox"/> 6000K



Dimensions



Garden Light Series

DHB-1005

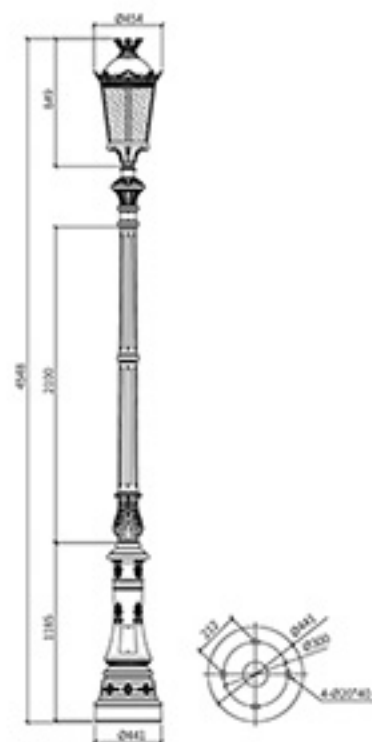
- Body: Made of aluminum with treatment of anti-corrosion and UV-proof powder coating.
- Diffuser: Opal polycarbonate.
- Fastener: 304 stainless steel.

	Sand Black
	Dark Grey
	Sand Silver
	Gray Metal Sand Grain

Lamp	Power	Voltage	Color Temperature
LED	30W	90-260V 50/60Hz	<input type="checkbox"/> 3000K <input type="checkbox"/> 6000K



Dimensions



DHB-1006

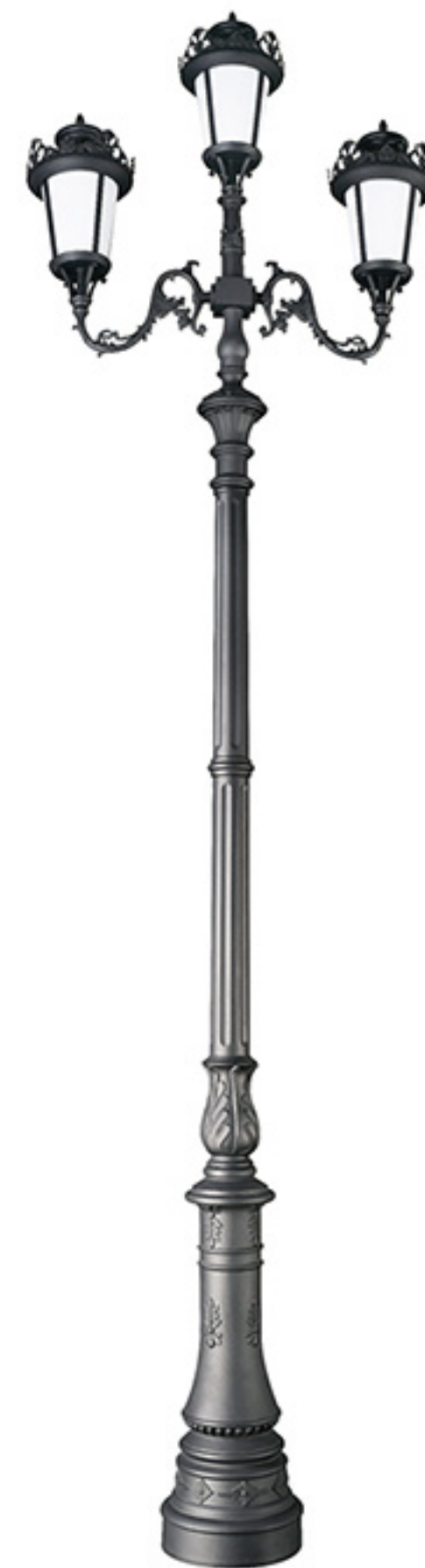
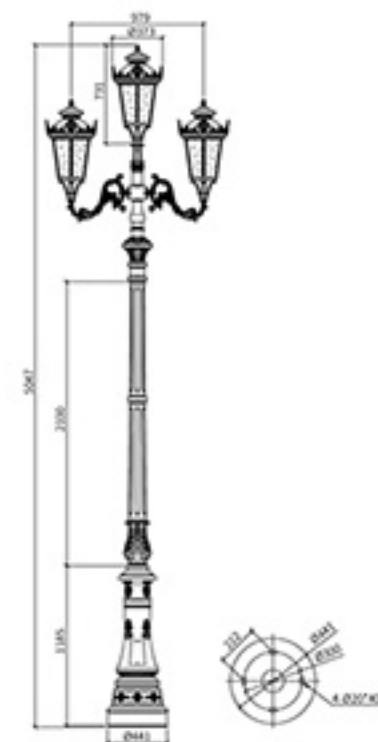
- Body: Made of aluminum with treatment of anti-corrosion and UV-proof powder coating.
- Diffuser: Opal polycarbonate.
- Fastener: 304 stainless steel.

	Sand Black
	Dark Grey
	Sand Silver
	Gray Metal Sand Grain

Lamp	Power	Voltage	Color Temperature
LED	3x30W	90-260V 50/60Hz	<input type="checkbox"/> 3000K <input type="checkbox"/> 6000K





Dimensions





DHB-1007

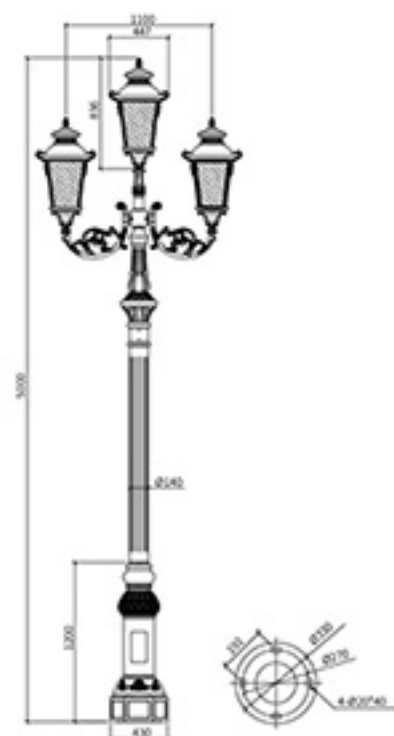
- Body: Made of aluminum and iron with treatment of anti-corrosion and UV-proof powder coating.
- Diffuser: Opal polycarbonate.
- Fastener: 304 stainless steel.

	Sand Black
	Dark Grey
	Sand Silver
	Gray Metal Sand Grain

Lamp	Power	Voltage	Color Temperature
LED	3x30W	90-260V 50/60Hz	<input type="checkbox"/> 3000K <input type="checkbox"/> 6000K





Dimensions





DHB-1008

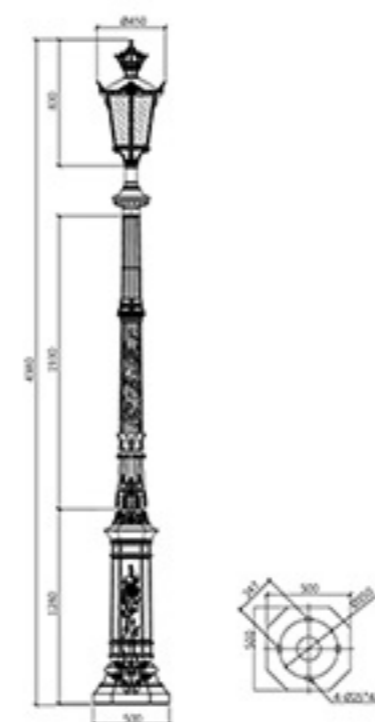
- Body: Made of aluminum with treatment of anti-corrosion and UV-proof powder coating.
- Diffuser: Opal polycarbonate.
- Fastener: 304 stainless steel.

	Sand Black
	Dark Grey
	Sand Silver
	Gray Metal Sand Grain

Lamp	Power	Voltage	Color Temperature
LED	50W	90-260V 50/60Hz	<input checked="" type="checkbox"/> 3000K <input type="checkbox"/> 6000K



Dimensions





DHB-1009

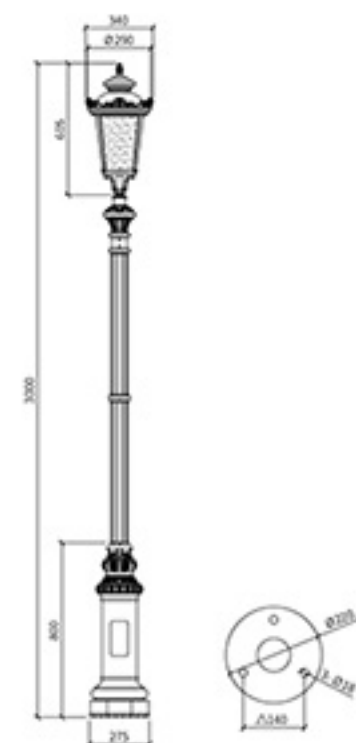
- Body: Made of aluminum with treatment of anti-corrosion and UV-proof powder coating.
- Diffuser: Opal polycarbonate.
- Fastener: 304 stainless steel.



Lamp	Power	Voltage	Color Temperature
LED	23W	90-260V 50/60Hz	<input type="checkbox"/> 3000K <input type="checkbox"/> 6000K



Dimensions





DHB-1010

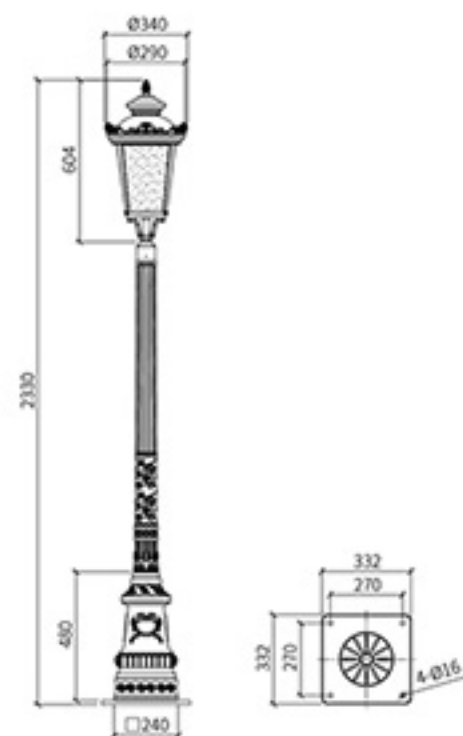
- Body: Made of aluminum with treatment of anti-corrosion and UV-proof powder coating.
- Diffuser: Opal polycarbonate.
- Fastener: 304 stainless steel.

	Sand Black
	Dark Grey
	Sand Silver
	Gray Metal Sand Grain

Lamp	Power	Voltage	Color Temperature
LED	20W	90-260V 50/60Hz	<input type="checkbox"/> 3000K <input type="checkbox"/> 6000K



Dimensions





DHB-1011

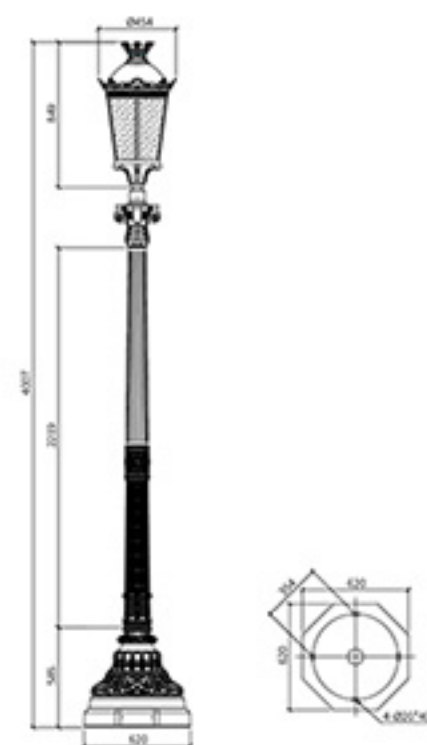
- Body: Made of aluminum with treatment of anti-corrosion and UV-proof powder coating.
- Diffuser: Opal polycarbonate.
- Fastener: 304 stainless steel.

	Sand Black
	Dark Grey
	Sand Silver
	Gray Metal Sand Grain

Lamp	Power	Voltage	Color Temperature
LED	30W	90-260V 50/60Hz	<input type="checkbox"/> 3000K <input type="checkbox"/> 6000K



Dimensions



Garden Light Series

DHB-1377

- Body: Made of aluminum with treatment of anti-corrosion and UV-proof powder coating.
- Diffuser: Frosted glass.
- Fastener: 304 stainless steel.

-  Sand Black
-  Dark Grey
-  Bronze
-  Gray Metal Sand Grain

Lamp	Power	Voltage	Color Temperature
LED	30W	90-260V 50/60Hz	<input type="checkbox"/> 3000K <input type="checkbox"/> 6000K





Dimensions



DHB-1378

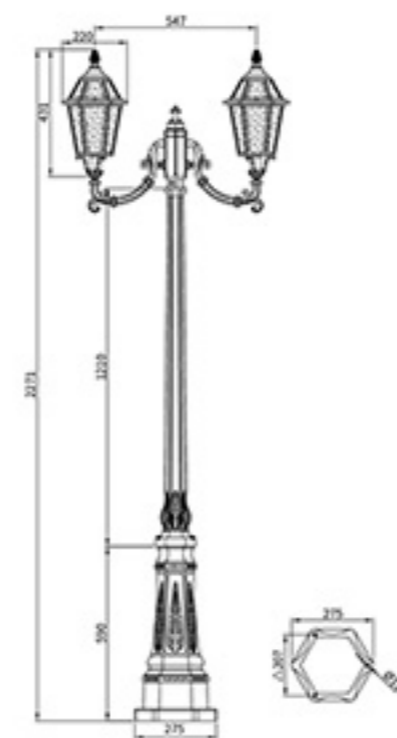
- Body: Made of aluminum with treatment of anti-corrosion and UV-proof powder coating.
- Diffuser: Frosted glass.
- Fastener: 304 stainless steel.

-  Sand Black
-  Dark Grey
-  Bronze
-  Gray Metal Sand Grain

Lamp	Power	Voltage	Color Temperature
LED	2x30W	90-260V 50/60Hz	<input type="checkbox"/> 3000K <input type="checkbox"/> 6000K



Dimensions





DHB-1013

- Body: Made of aluminum with treatment of anti-corrosion and UV-proof powder coating.
- Diffuser: Opal polycarbonate.
- Fastener: 304 stainless steel.

	Sand Black
	Dark Grey
	Sand Silver
	Gray Metal Sand Grain

Lamp	Power	Voltage	Color Temperature
LED	30W	90-260V 50/60Hz	<input type="checkbox"/> 3000K <input type="checkbox"/> 6000K



Dimensions





DHB-1014

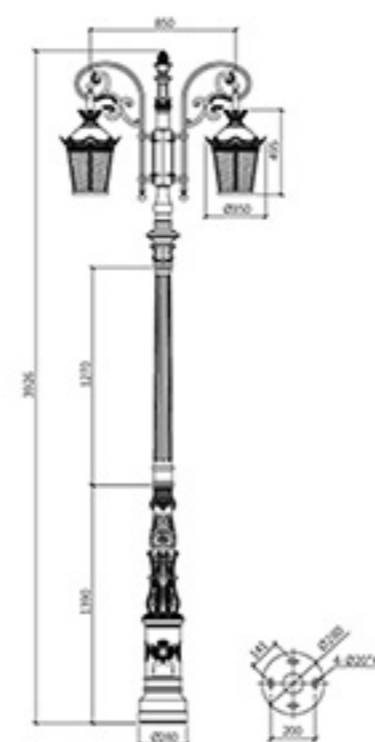
- Body: Made of aluminum and iron with treatment of anti-corrosion and UV-pr powder coating.
- Diffuser: Opal polycarbonate.
- Fastener: 304 stainless steel.

	Sand Black
	Dark Grey
	Sand Silver
	Gray Metal Sand Grain

Lamp	Power	Voltage	Color Temperature
LED	2x30W	90-260V 50/60Hz	<input type="checkbox"/> 3000K <input type="checkbox"/> 6000K






Dimensions





DHB-1015

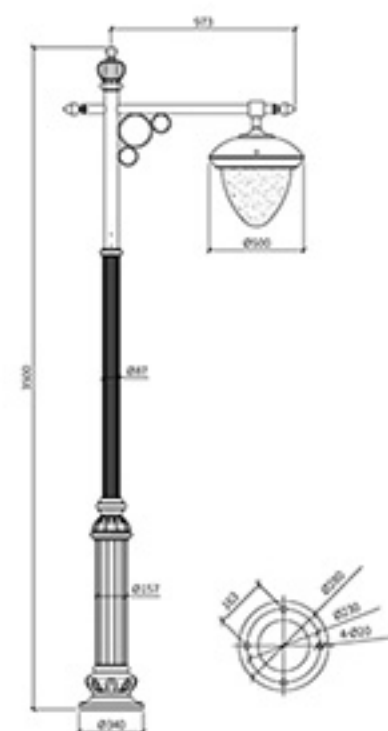
- Body: Made of aluminum with treatment of anti-corrosion and UV-proof powder coating.
- Diffuser: Opal polycarbonate.
- Fastener: 304 stainless steel.

	Sand Black
	Dark Grey
	Sand Silver
	Gray Metal Sand Grain

Lamp	Power	Voltage	Color Temperature
LED	50W	90-260V 50/60Hz	<input type="checkbox"/> 3000K <input type="checkbox"/> 6000K



Dimensions





DHB-1016

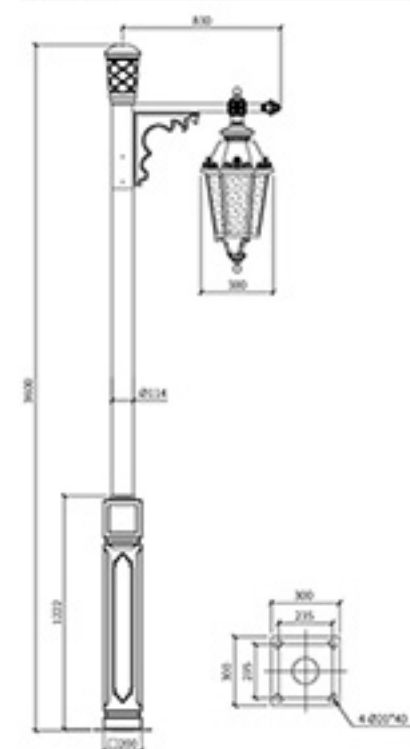
- Body: Made of aluminum with treatment of anti-corrosion and UV-proof powder coating.
- Diffuser: Frosted glass.
- Fastener: 304 stainless steel.

	Sand Black
	Dark Grey
	Sand Silver
	Gray Metal Sand Grain

Lamp	Power	Voltage	Color Temperature
LED	30W	90-260V 50/60Hz	<input type="checkbox"/> 3000K <input type="checkbox"/> 6000K



Dimensions





DHB-1017

DHB-1017/DHB-1018/DHB-1018A

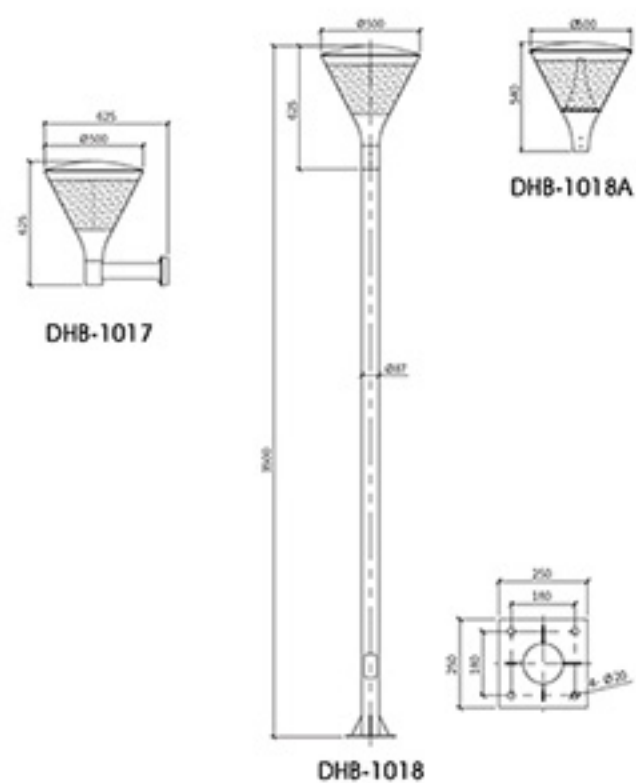
- Body: Made of aluminum with treatment of anti-corrosion and UV-proof powder coating.
- Diffuser: Clear polycarbonate.
- Fastener: 304 stainless steel.

- Sand Black
- Dark Grey
- Sand Silver
- Gray Metal Sand Grain

Model NO.	Lamp	Power	Voltage	Color Temperature
DHB-1017	LED	20W	90-260V 50/60Hz	3000K 6000K
DHB-1018	LED	30W		
DHB-1018A	LED	39W		



Dimensions



DHB-1018A

DHB-1018



DHB-1019

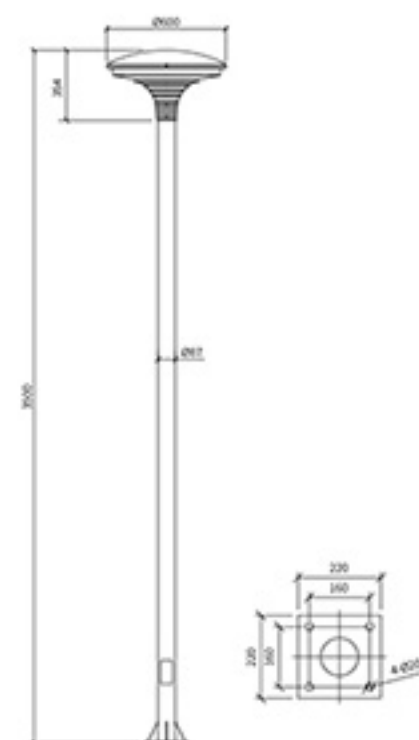
- Body: Made of aluminum with treatment of anti-corrosion and UV-proof powder coating.
- Diffuser: Clear polycarbonate.
- Fastener: 304 stainless steel.

	Sand Black
	Dark Grey
	Sand Silver
	Gray Metal Sand Grain

Lamp	Power	Voltage	Color Temperature
LED	20W	90-260V 50/60Hz	<input checked="" type="checkbox"/> 3000K <input type="checkbox"/> 6000K



Dimensions





DHB-1020

- Body: Made of aluminum with treatment of anti-corrosion and UV-proof powder coating.
- Diffuser: Glass.
- Fastener: 304 stainless steel.

	Sand Black
	Dark Grey
	Sand Silver
	Gray Metal Sand Grain

Lamp	Power	Voltage	Color Temperature
LED	30W	90-260V 50/60Hz	<input type="checkbox"/> 3000K <input type="checkbox"/> 6000K



Dimensions






DHB-1021

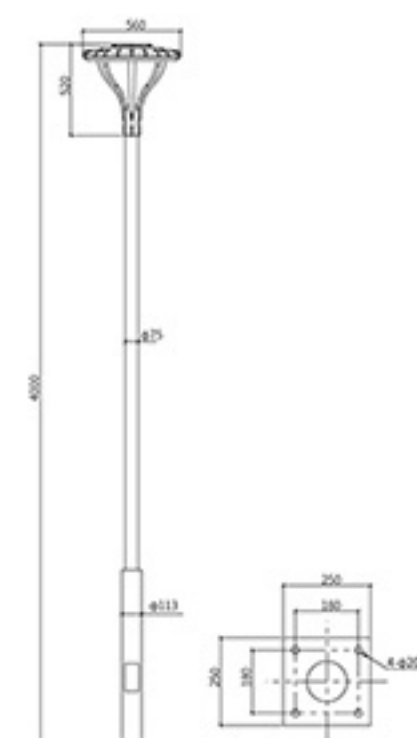
- Body: Made of aluminum with treatment of anti-corrosion and UV-proof powder coating.
- Diffuser: Glass.
- Fastener: 304 stainless steel.

	Sand Black
	Dark Grey
	Sand Silver
	Gray Metal Sand Grain

Lamp	Power	Voltage	Color Temperature
LED	30W	90-260V 50/60Hz	 3000K  6000K



Dimensions





DHB-1022

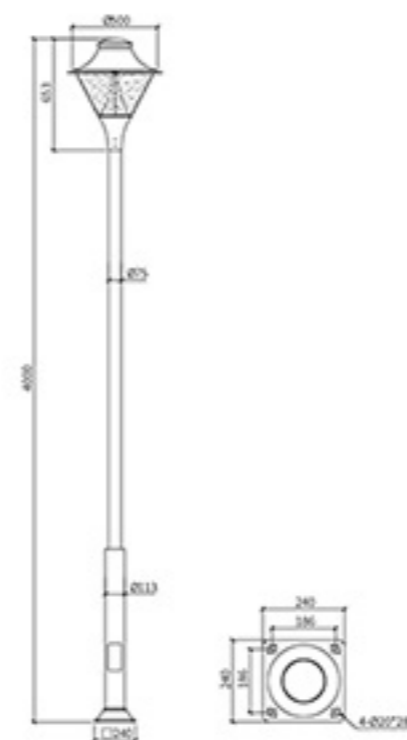
- Body: Made of aluminum with treatment of anti-corrosion and UV-proof powder coating.
- Diffuser: PMMA.
- Fastener: 304 stainless steel.

	Sand Black
	Dark Grey
	Sand Silver
	Gray Metal Sand Grain

Lamp	Power	Voltage	Color Temperature
LED	3x20W	90-260V 50/60Hz	 3000K  6000K



Dimensions





DHB-1023

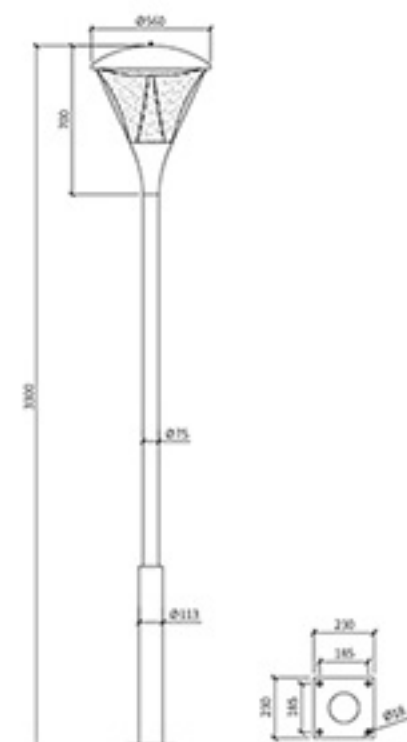
- Body: Made of aluminum and iron with treatment of anti-corrosion and UV-proof powder coating.
- Diffuser: Clear polycarbonate.
- Fastener: 304 stainless steel.

	Sand Black
	Dark Grey
	Sand Silver
	Gray Metal Sand Grain 灰

Lamp	Power	Voltage	Color Temperature
LED	35W	90-260V 50/60Hz	<input type="checkbox"/> 3000K <input type="checkbox"/> 6000K



Dimensions





DHB-1024

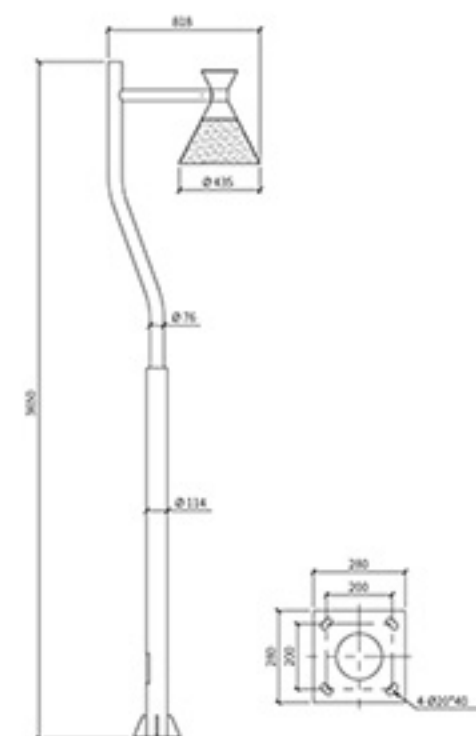
- Body: Made of aluminum and iron with treatment of anti-corrosion and UV-proof powder coating.
- Diffuser: PMMA.
- Fastener: 304 stainless steel.

	Sand Black
	Dark Grey
	Sand Silver
	Gray Metal Sand Grain

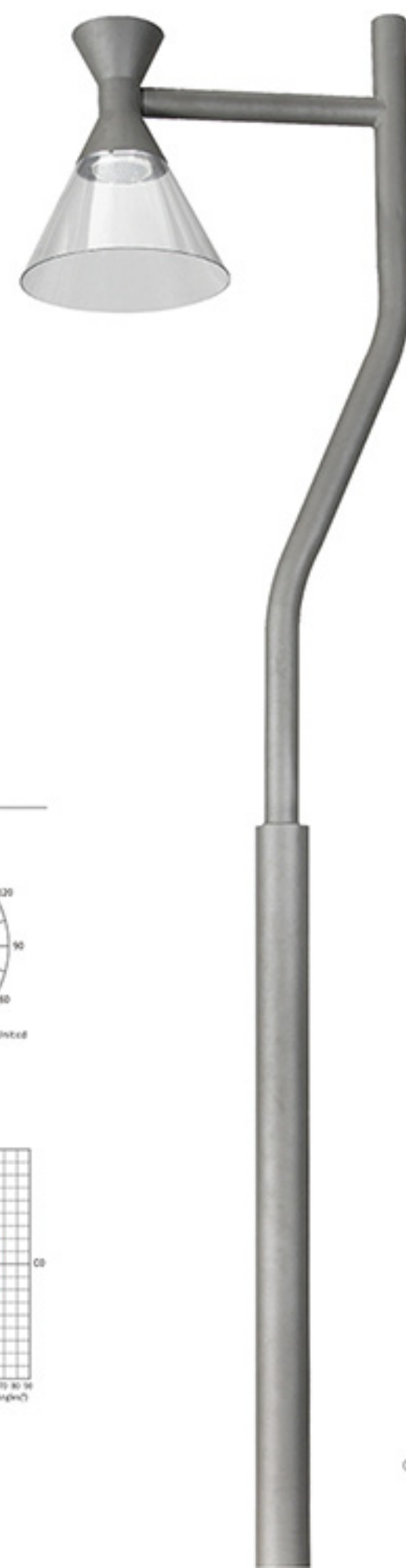
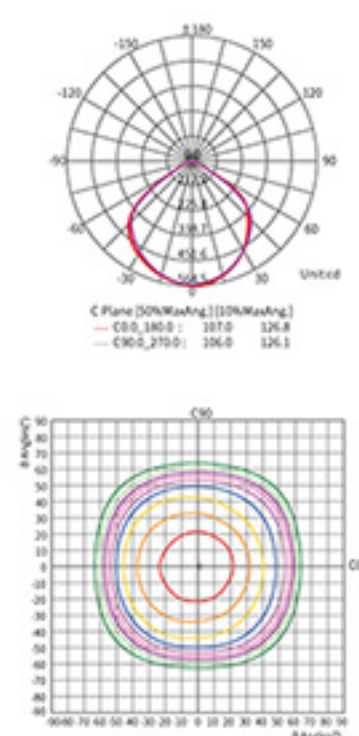
Lamp	Power	Voltage	Color Temperature
LED	50W	90-260V 50/60Hz	<input type="checkbox"/> 3000K <input type="checkbox"/> 6000K



Dimensions



Photometric Data





DHB-1025

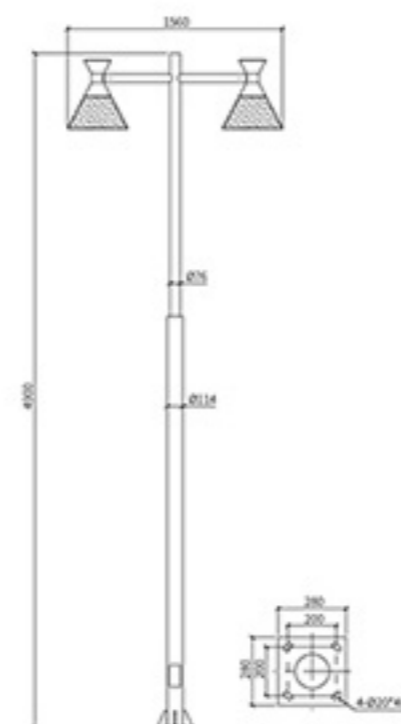
- Body: Made of aluminum and iron with treatment of anti-corrosion and UV-proof powder coating.
- Diffuser: PMMA.
- Fastener: 304 stainless steel.

	Sand Black
	Dark Grey
	Sand Silver
	Gray Metal Sand Grain

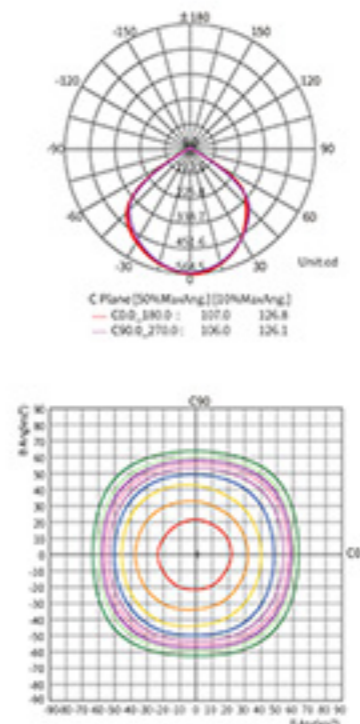
Lamp	Power	Voltage	Color Temperature
LED	2x50W	90-260V 50/60Hz	 3000K  6000K



Dimensions



Photometric Data





DHB-1066

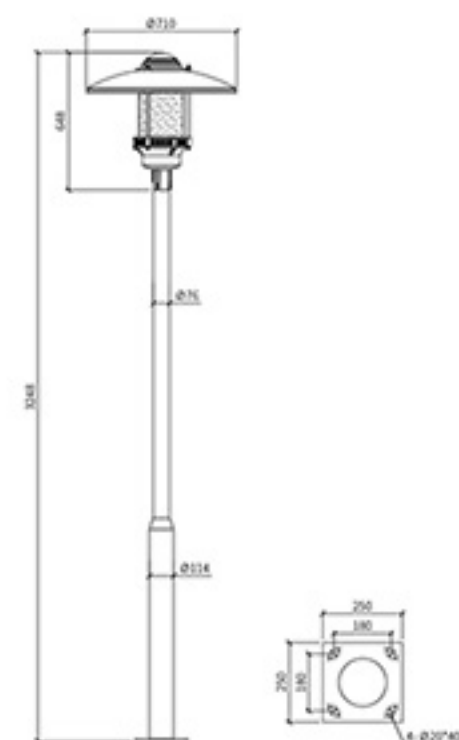
- Body: Made of aluminum and iron with treatment of anti-corrosion and UV-proof powder coating.
- Diffuser: PMMA.
- Fastener: 304 stainless steel.

	Sand Black
	Dark Grey
	Sand Silver
	Gray Metal Sand Grain

Lamp	Power	Voltage	Color Temperature
LED	35W	90-260V 50/60Hz	 3000K  6000K



Dimensions





DHB-1067

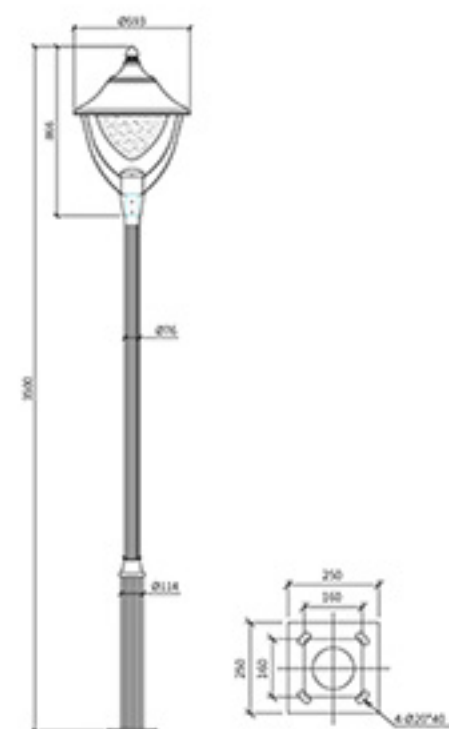
- Body: Made of aluminum with treatment of anti-corrosion and UV-proof powder coating.
- Diffuser: Opal polycarbonate.
- Fastener: 304 stainless steel.

	Sand Black
	Dark Grey
	Sand Silver
	Gray Metal Sand Grain

Lamp	Power	Voltage	Color Temperature
LED	50W	90-260V 50/60Hz	<input type="checkbox"/> 3000K <input type="checkbox"/> 6000K



Dimensions



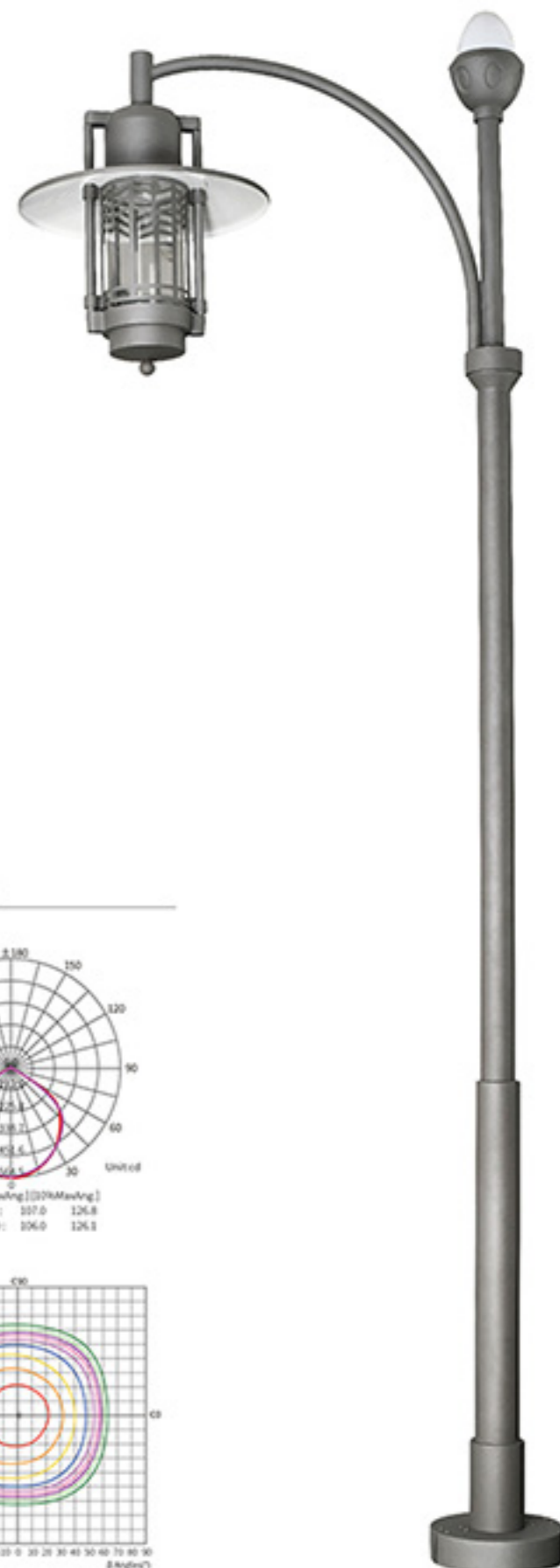


DHB-1068

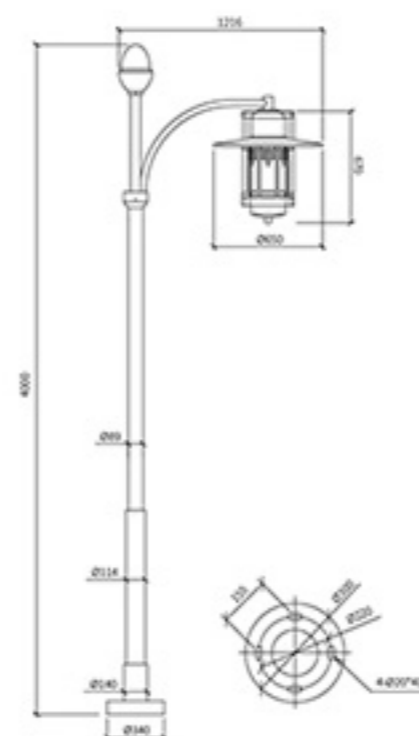
- Body: Made of aluminum and iron with treatment of anti-corrosion and UV-proof powder coating.
- Diffuser: Clear PMMA.
- Fastener: 304 stainless steel.

	Sand Black
	Dark Grey
	Sand Silver
	Gray Metal Sand Grain

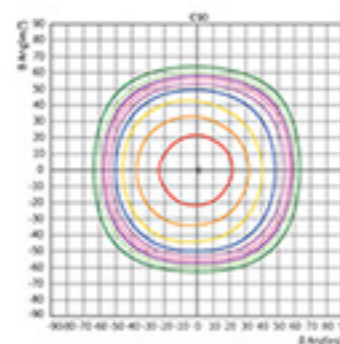
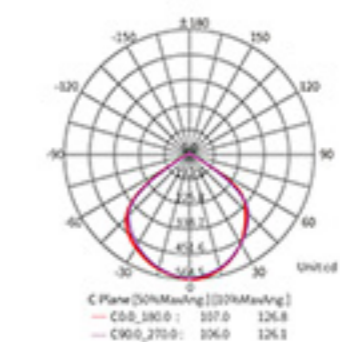
Lamp	Power	Voltage	Color Temperature
LED	20W+5W	90-260V 50/60Hz	<input type="checkbox"/> 3000K <input type="checkbox"/> 6000K



Dimensions



Photometric Data





DHB-1069

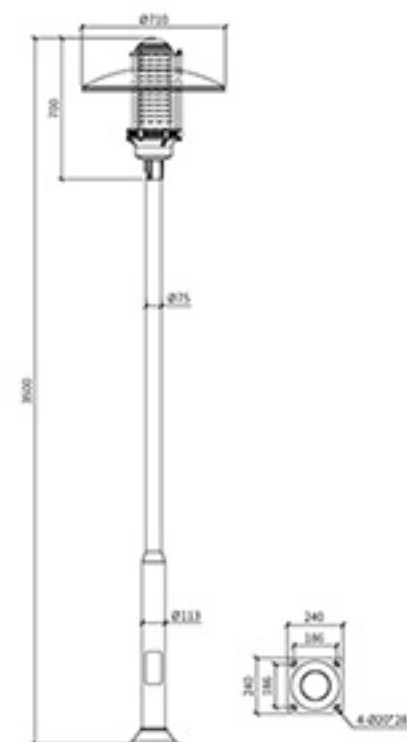
- Body: Made of aluminum with treatment of anti-corrosion and UV-proof powder coating.
- Diffuser: PMMA.
- Fastener: 304 stainless steel.

	Sand Black
	Dark Grey
	Sand Silver
	Gray Metal Sand Grain

Lamp	Power	Voltage	Color Temperature
LED	30W	90-260V 50/60Hz	<input checked="" type="checkbox"/> 3000K <input type="checkbox"/> 6000K



Dimensions





DHB-1070

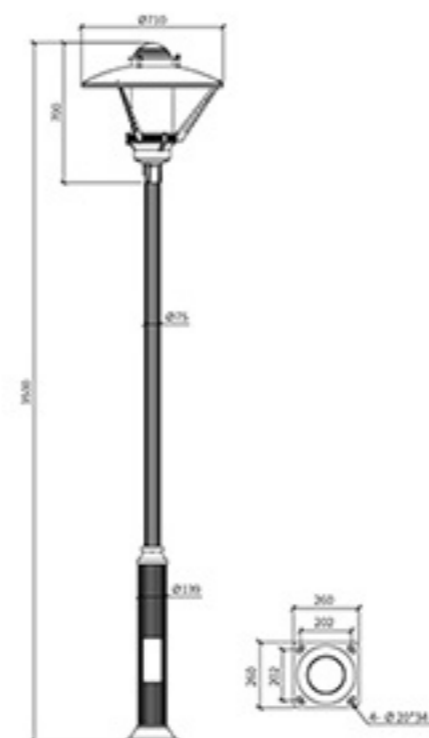
- Body: Made of aluminum with treatment of anti-corrosion and UV-proof powder coating.
- Diffuser: PMMA.
- Fastener: 304 stainless steel.

	Sand Black
	Dark Grey
	Sand Silver
	Gray Metal Sand Grain

Lamp	Power	Voltage	Color Temperature
LED	30W	90-260V 50/60Hz	<input type="checkbox"/> 3000K <input type="checkbox"/> 6000K

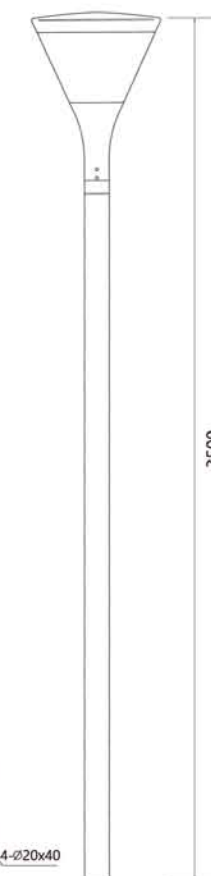
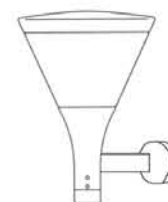


Dimensions



GARDEN LIGHT

- Body: Made of aluminum with treatment of anti-corrosion and UV-proof powder coating.
- Diffuser: PC.
- Fastener: 304 stainless steel.

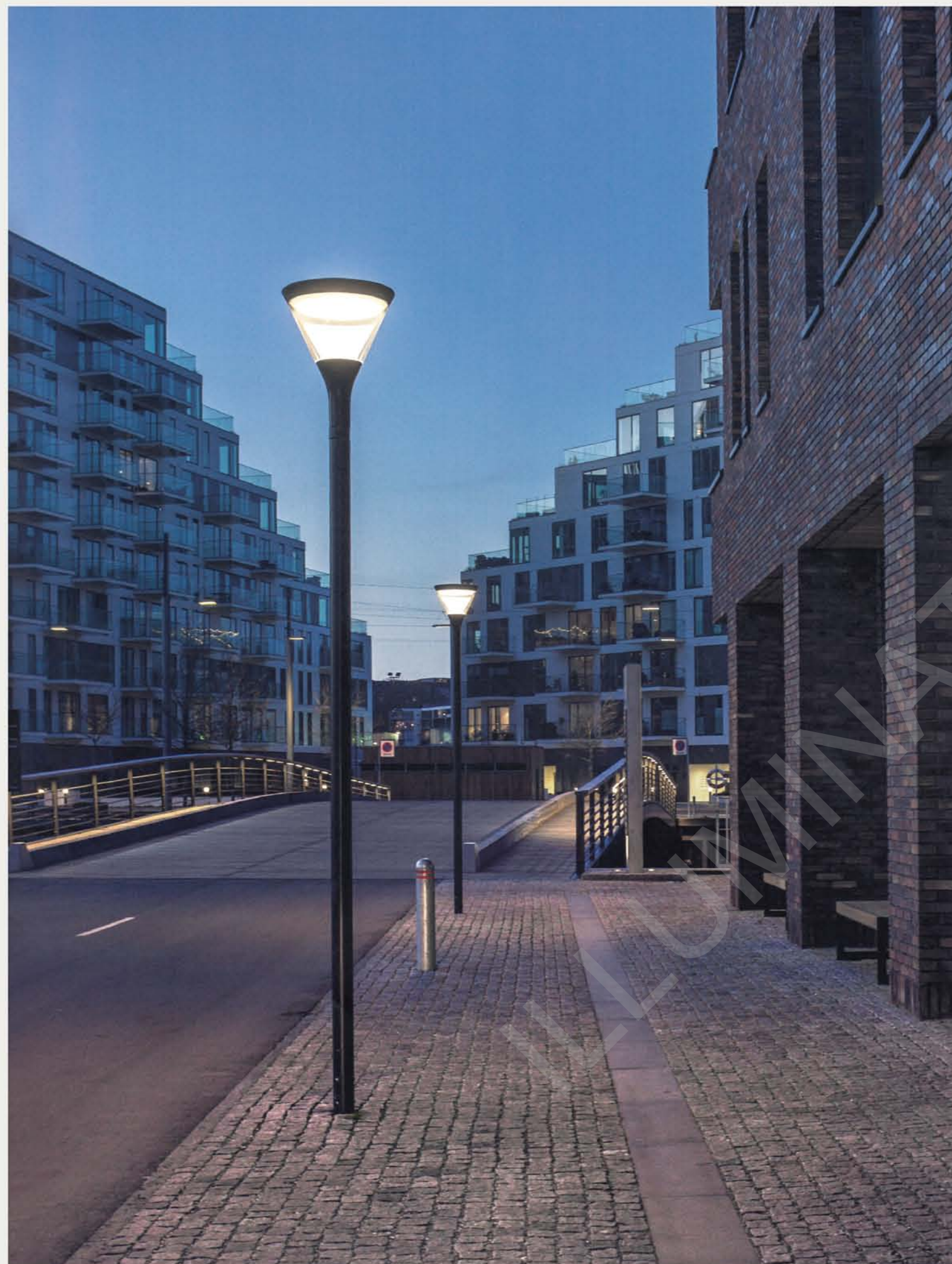
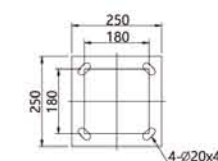


DHK-9040

Lamp: LED
LED Power: 30W
Voltage: 90-260V 50/60Hz

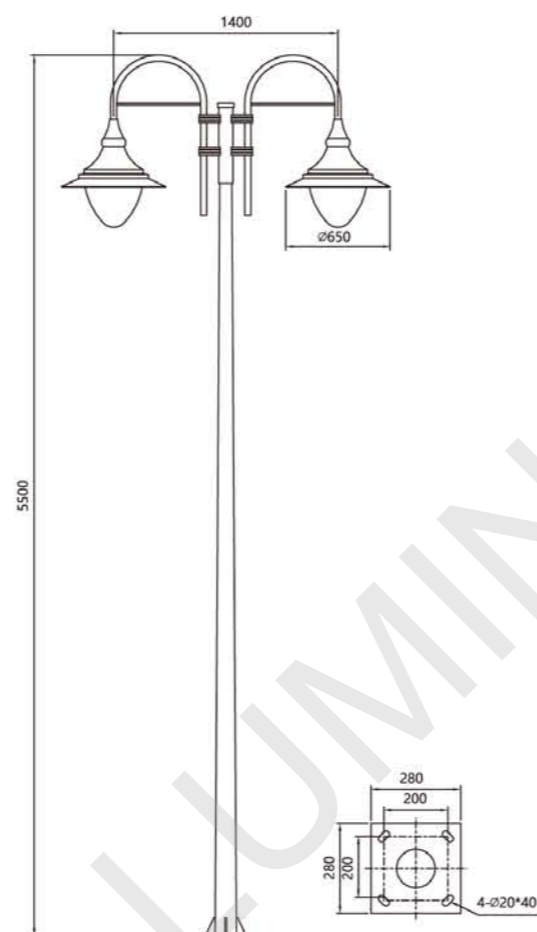
Color Temperature

- 3000K
 6000K



GARDEN LIGHT

- Body: Made of cast aluminum and iron with treatment of corrosion protection and UV-proof powder coating.
- Diffuser: PMMA
- Fastener: 304 stainless steel.



DHK-9019

Lamp: LED
LED Power: 30Wx2
Voltage: 90-260V 50/60Hz

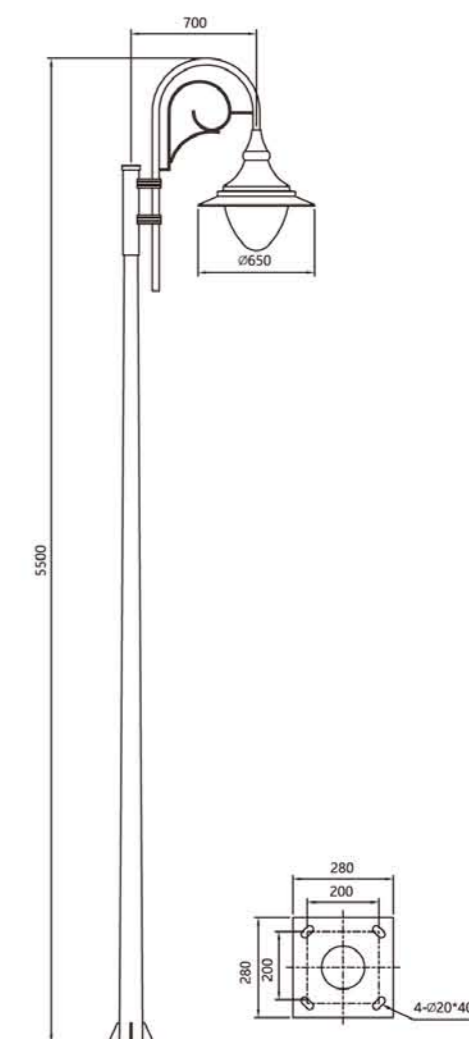
Color Temperature

- 3000K
 6000K



GARDEN LIGHT

- Body: Made of cast aluminum and iron with treatment of corrosion protection and UV-proof powder coating.
- Diffuser: PMMA
- Fastener: 304 stainless steel.



DHK-9020

Lamp: LED
LED Power: 30W
Voltage: 90-260V 50/60Hz

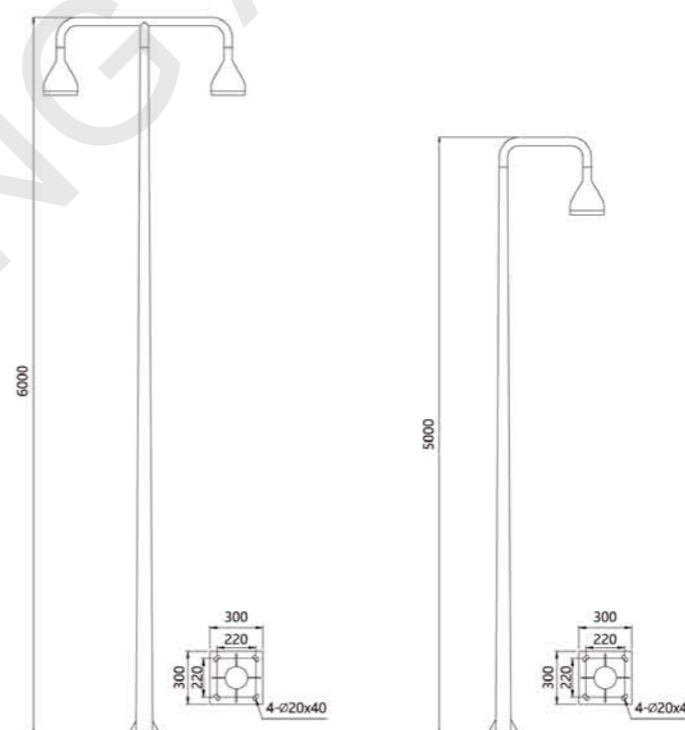
Color Temperature

- 3000K
 6000K



GARDEN LIGHT

- Body: Made of cast aluminum and iron with treatment of corrosion protection and UV-proof powder coating.
- Diffuser: Clear glass.
- Fastener: 304 stainless steel.



DHK-9022

DHK-9021

Lamp: LED
LED Power: 40W
Voltage: 90-260V 50/60Hz

Color Temperature

- 3000K
 6000K

DHK-9022

Lamp: LED
LED Power: 40Wx2
Voltage: 90-260V 50/60Hz

Color Temperature

- 3000K
 6000K



DHK-9021



GARDEN LIGHT

- Body: Made of cast aluminum and iron with treatment of corrosion protection and UV-proof powder coating.
- Diffuser: Clear tempered glass
- Fastener: 304 stainless steel.



DHK-9023 Color Temperature

Lamp: LED 3000K

LED Power: 80W 6000K

Voltage: 90-260V 50/60Hz



GARDEN LIGHT

- Body: Made of cast aluminum and iron with treatment of corrosion protection and UV-proof powder coating.
- Diffuser: Clear tempered glass
- Fastener: 304 stainless steel.



DHK-9024 Color Temperature

Lamp: LED 3000K

LED Power: 80W 6000K

Voltage: 90-260V 50/60Hz

DHK-9025 Color Temperature

Lamp: LED 3000K

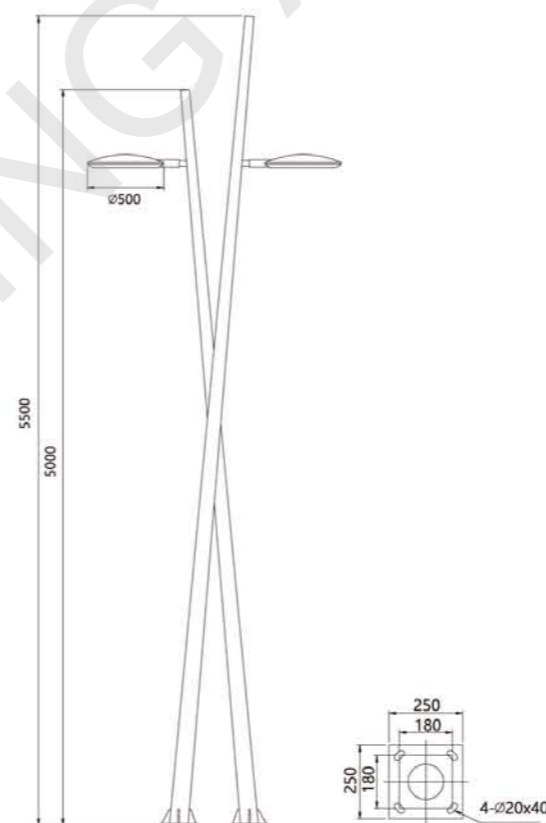
LED Power: 80Wx2 6000K

Voltage: 90-260V 50/60Hz



GARDEN LIGHT

- Body: Made of cast aluminum and iron with treatment of corrosion protection and UV-proof powder coating.
- Diffuser: Clear glass
- Fastener: 304 stainless steel.



DHK-9026

Lamp: LED
 LED Power: 50Wx2
 Voltage: 90-260V 50/60Hz

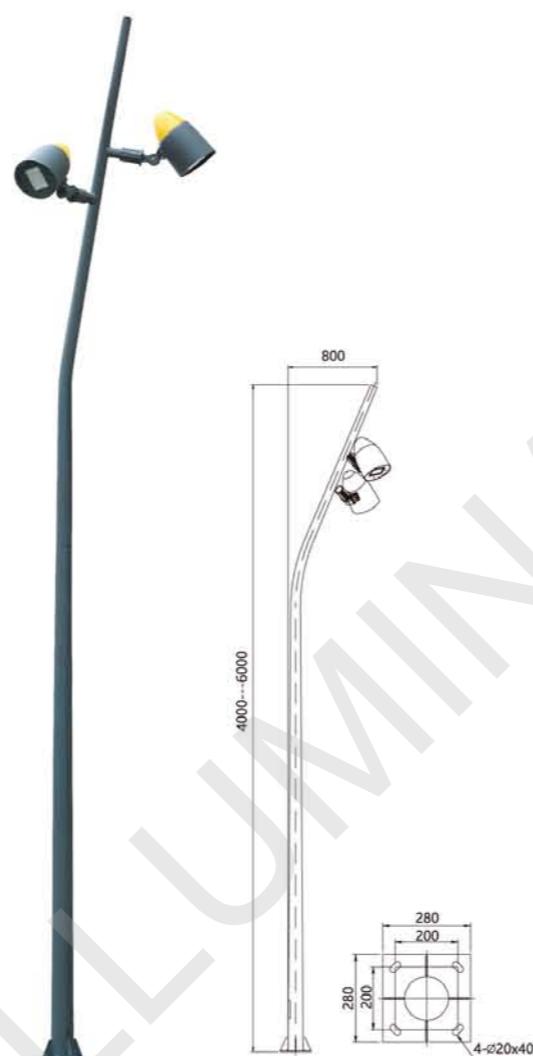
Color Temperature

3000K
 6000K



GARDEN LIGHT

- Body: Made of cast aluminum and iron with treatment of corrosion protection and UV-proof powder coating.
- Diffuser: PC.
- Fastener: 304 stainless steel.



DHK-9027

Lamp: LED
LED Power: 30Wx2+3Wx2
Voltage: 90-260V 50/60Hz

Color Temperature

- 3000K
 6000K



GARDEN LIGHT

- Body: Made of cast aluminum and iron with treatment of corrosion protection and UV-proof powder coating.
- Diffuser: PC.
- Fastener: 304 stainless steel.



DHK-9028

Lamp: LED
LED Power: 30Wx6+3Wx6
Voltage: 90-260V 50/60Hz

Color Temperature

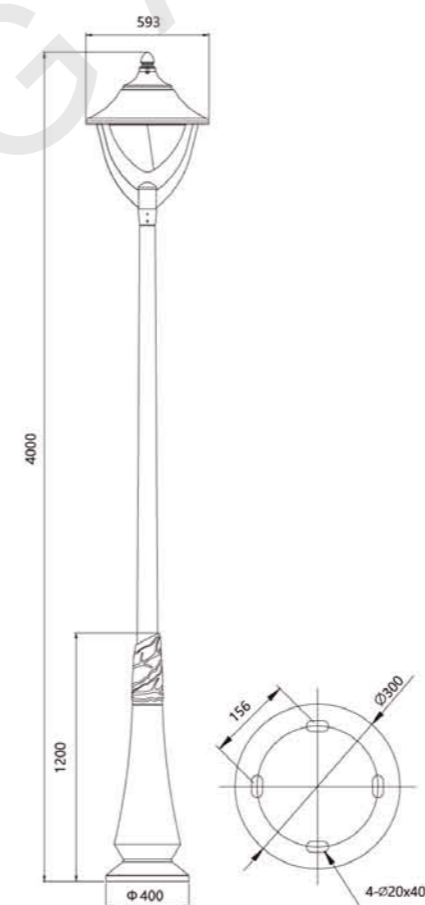
- 3000K
 6000K





GARDEN LIGHT

- Body: Made of cast aluminum with treatment of anti-corrosion and UV-proof powder coating.
- Diffuser: Opal polycarbonate.
- Fastener: 304 stainless steel.



DHK-9029

Lamp: LED
LED Power: 50W
Voltage: 90-260V 50/60Hz

Color Temperature

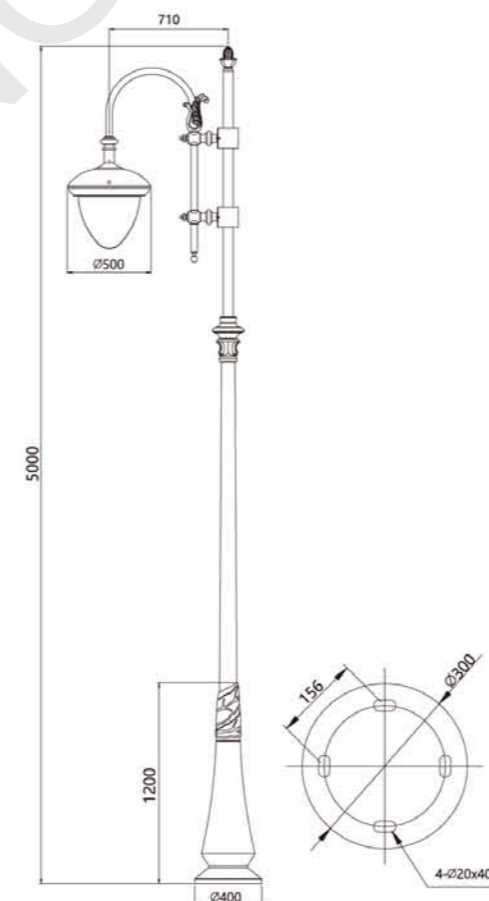
3000K
 6000K





GARDEN LIGHT

- Body: Made of cast aluminum and iron with treatment of corrosion protection and UV-proof powder coating.
- Diffuser: Opal polycarbonate.
- Fastener: 304 stainless steel.



DHK-9030

Lamp: LED
LED Power: 50W
Voltage: 90-260V 50/60Hz

Color Temperature

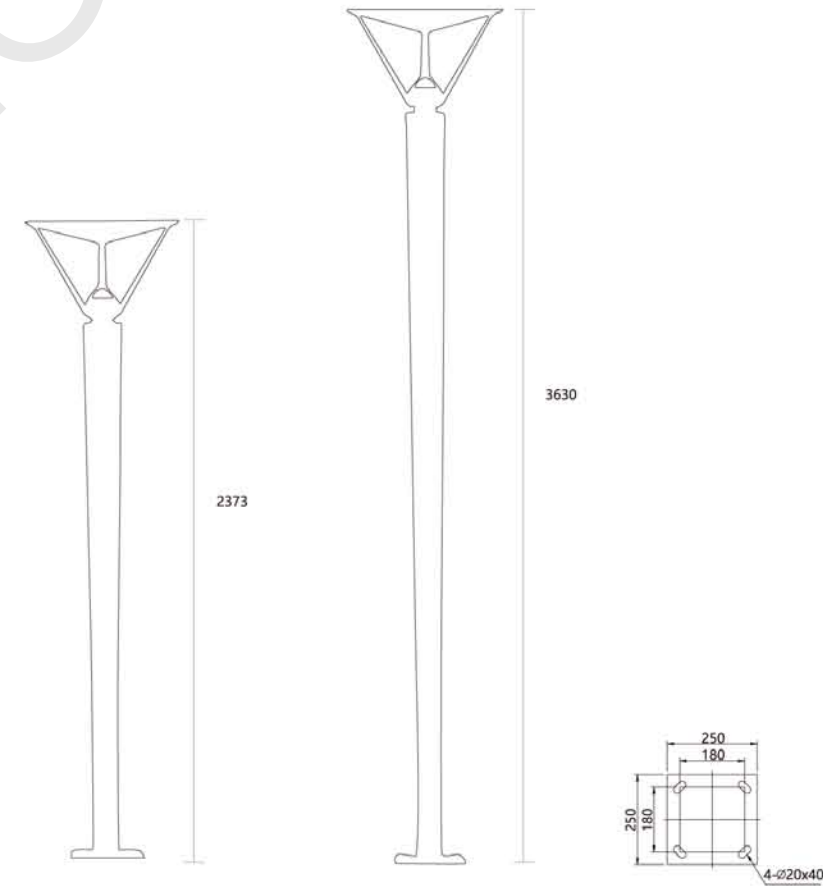
- 3000K
 6000K





GARDEN LIGHT

- Body: Made of aluminum with treatment of anti-corrosion and UV-proof powder coating.
- Diffuser: Clear polycarbonate.
- Fastener: 304 stainless steel.



DHK-9031

Lamp: LED
 LED Power: 30W
 Voltage: 90-260V 50/60Hz

Color Temperature

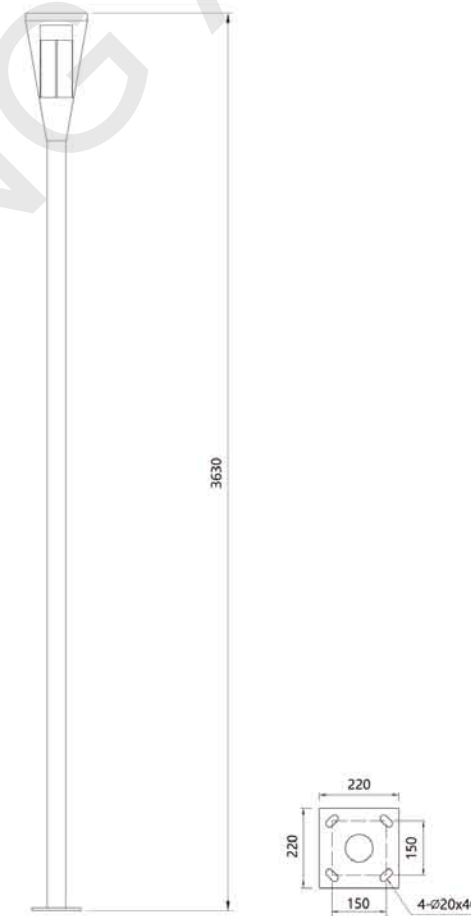
- 3000K
- 6000K





GARDEN LIGHT

- Body: Made of cast aluminum and iron with treatment of corrosion protection and UV-proof powder coating.
- Diffuser: Clear polycarbonate.
- Fastener: 304 stainless steel.



DHK-9032

Lamp: LED
LED Power: 30W
Voltage: 90-260V 50/60Hz

Color Temperature

- 3000K
- 6000K





GARDEN LIGHT

- Body: Made of aluminum alloy with treatment of anti-corrosion and UV-proof powder coating.
- Diffuser: Clear polycarbonate.
- Fastener: 304 stainless steel.



DHK-9033

Lamp: LED
 LED Power: 30W
 Voltage: 90-260V 50/60Hz

Color Temperature

- 3000K
- 6000K



DHK-9034

GARDEN LIGHT

- Body: Made of extruded aluminum with treatment of corrosion protection and UV-proof powder coating.
- Diffuser: PC.
- Fastener: 304 stainless steel.



DHK-9035

DHK-9036

DHK-9037

Lamp: LED
 LED Power: 30-100W
 Voltage: 90-260V 50/60Hz

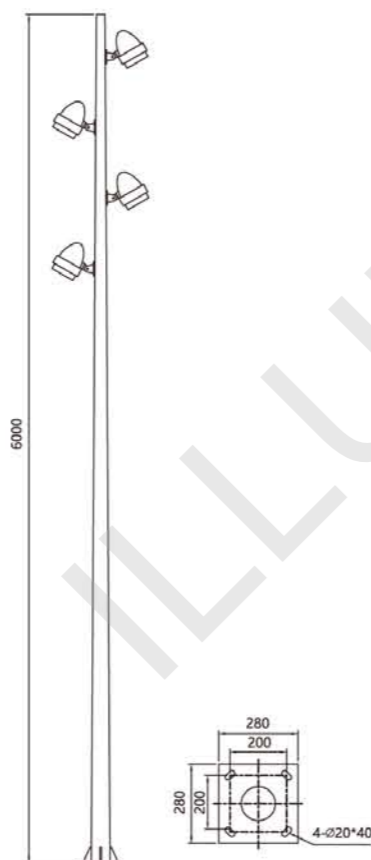
Color Temperature

- 3000K
- 6000K



GARDEN LIGHT

- Body: Made of cast aluminum and iron with treatment of corrosion protection and UV-proof powder coating.
- Diffuser: Clear glass.
- Fastener: 304 stainless steel.



DHK-9038

Lamp: LED
LED Power: 30Wx4
Voltage: 90-260V 50/60Hz

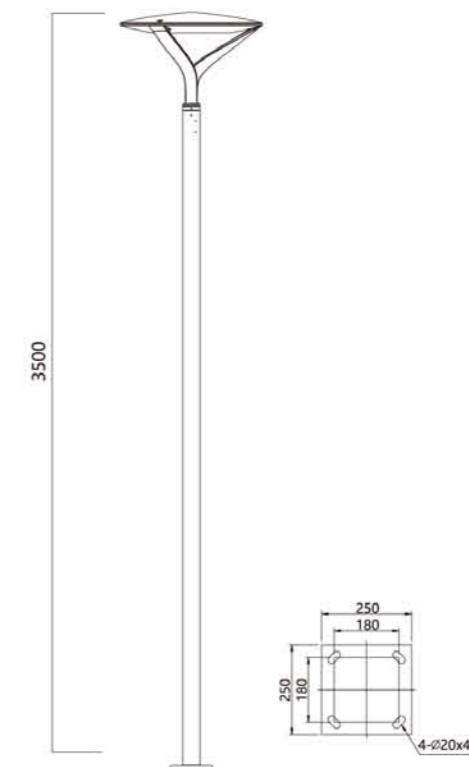
Color Temperature

3000K

6000K

GARDEN LIGHT

- Body: Made of aluminum with treatment of anti-corrosion and UV-proof powder coating.
- Diffuser: Clear glass.
- Fastener: 304 stainless steel.



DHK-9039

Lamp: LED
LED Power: 30W
Voltage: 90-260V 50/60Hz

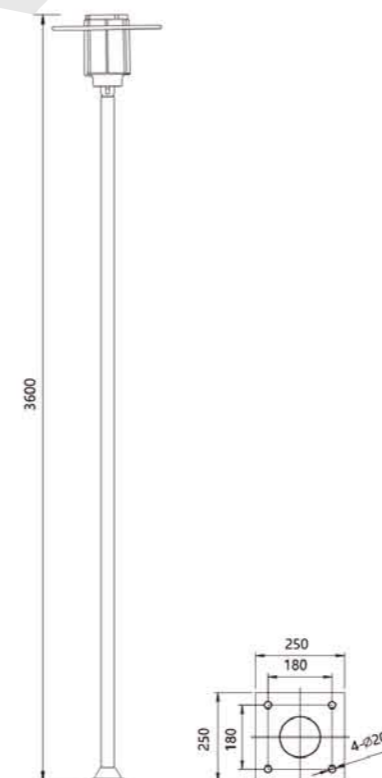
Color Temperature

3000K

6000K

GARDEN LIGHT

- Body: Made of aluminum with treatment of anti-corrosion and UV-proof powder coating.
- Diffuser: Clear polycarbonate.
- Fastener: 304 stainless steel.



DHK-9041

Lamp: LED

LED Power: 30W

Voltage: 90-260V 50/60Hz

Color Temperature

3000K

6000K



GARDEN LIGHT

- Body: Made of aluminum with treatment of anti-corrosion and UV-proof powder coating.
- Diffuser: Clear glass.
- Fastener: 304 stainless steel.



DHK-9042

Lamp: LED
 LED Power: 30Wx2
 Voltage: 90-260V 50/60Hz

Color Temperature

3000K

6000K



GARDEN LIGHT

- Body: Made of aluminum with treatment of anti-corrosion and UV-proof powder coating.
- Diffuser: Clear glass.
- Fastener: 304 stainless steel.



DHK-9043

DHK-9044

DHK-9043/DHK-9044

Lamp: LED
 LED Power: 30Wx1/30Wx2
 Voltage: 90-260V 50/60Hz

Color Temperature

3000K

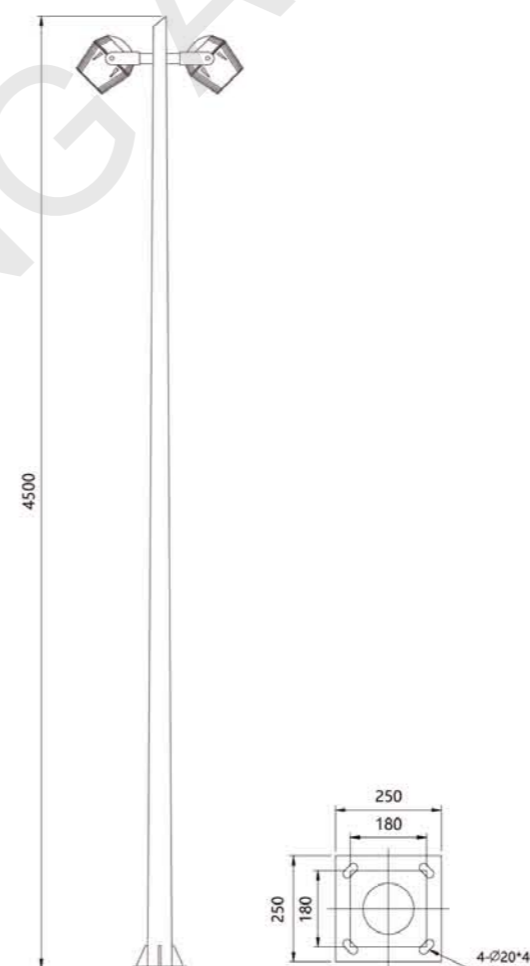
6000K





GARDEN LIGHT

- Body: Made of cast aluminum and iron with treatment of corrosion protection and UV-proof powder coating.
- Diffuser: Clear glass
- Fastener: 304 stainless steel.



DHK-9045

Lamp: LED
LED Power: 25Wx2
Voltage: 90-260V 50/60Hz

Color Temperature

- 3000K
 6000K





DHB-1071

- Body: Made of aluminum and iron with treatment of anti-corrosion and UV-proof powder coating.
- Diffuser: Clear polycarbonate.
- Fastener: 304 stainless steel.

- Sand Black
- Dark Grey
- Sand Silver
- Gray Metal Sand Grain

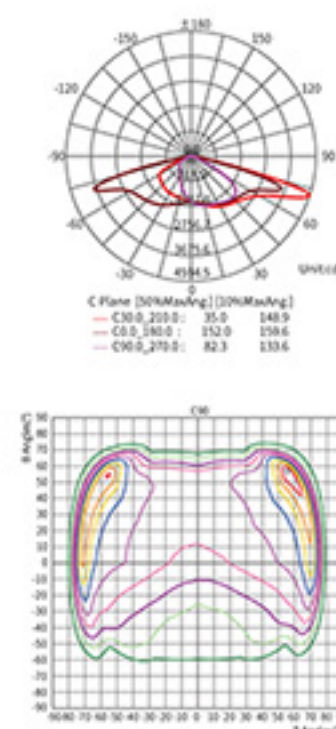
Lamp	Power	Voltage	Color Temperature
LED	80W	90-260V 50/60Hz	3000K 6000K



Dimensions



Photometric Data





DHB-1072

DHB-1072/DHB-1073

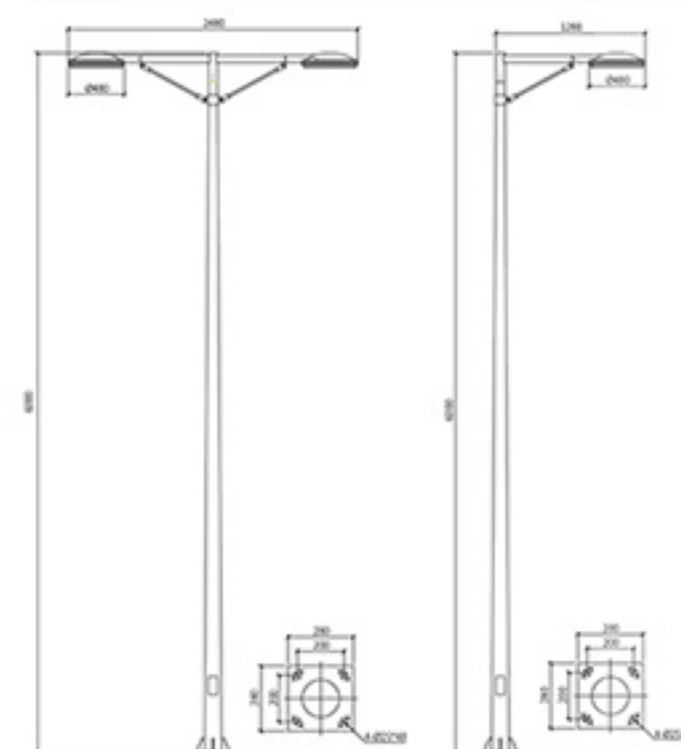
- Body: Made of aluminum and iron with treatment of anti-corrosion and UV-proof powder coating.
- Diffuser: Clear polycarbonate.
- Fastener: 304 stainless steel.

- Sand Black
- Dark Grey
- Sand Silver
- Gray Metal Sand Grain

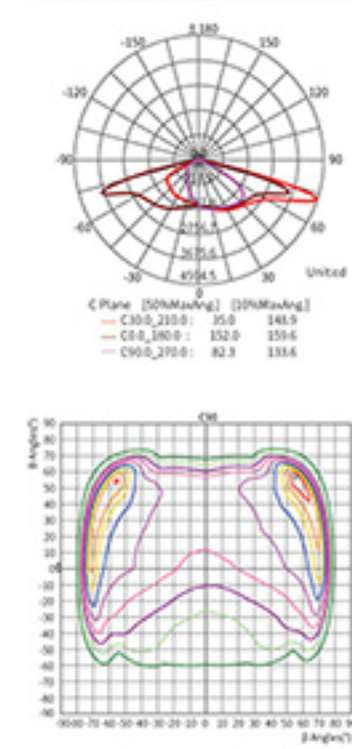
Model NO.	Lamp	Power	Voltage	Color Temperature
DHB-1072	LED	2x80W	90-260V 50/60Hz	3000K 6000K
DHB-1073	LED	80W		



Dimensions



Photometric Data



DHB-1073



DHB-1074

DHB-1074/DHB-1075

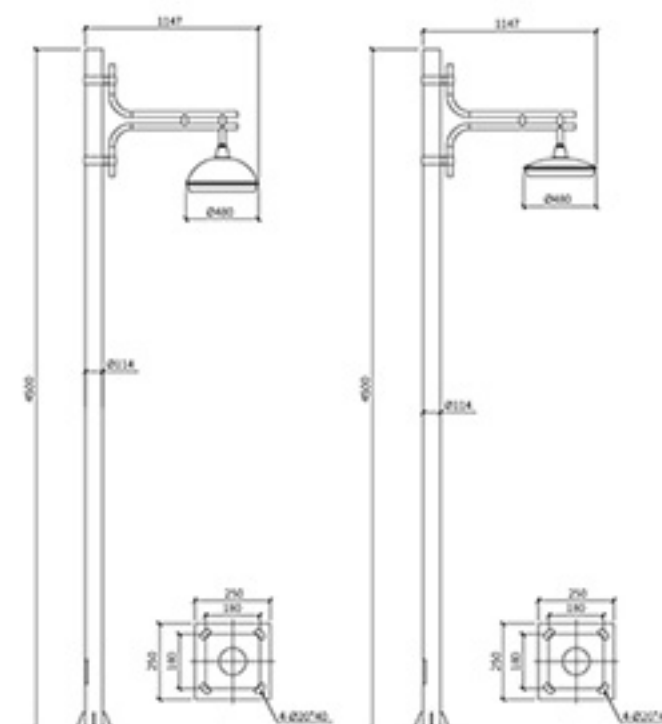
- Body: Made of aluminum and iron with treatment of anti-corrosion and UV-proof powder coating.
- Diffuser: Clear polycarbonate.
- Fastener: 304 stainless steel.

	Sand Black
	Dark Grey
	Sand Silver
	Gray Metal Sand Grain

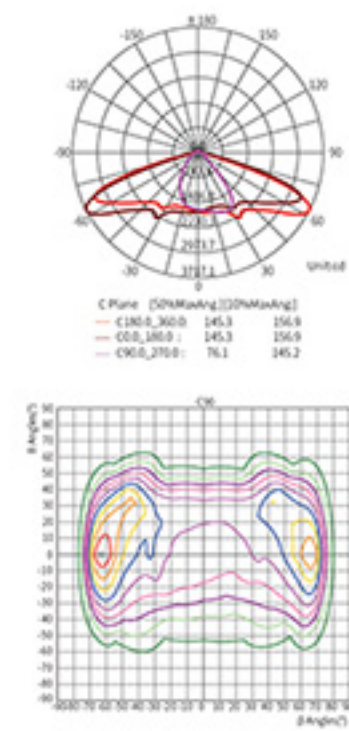
Model NO.	Lamp	Power	Voltage	Color Temperature
DHB-1074	LED	50W	90-260V 50/60Hz	<input type="checkbox"/> 3000K <input type="checkbox"/> 6000K
DHB-1075	LED	50W		



Dimensions



Photometric Data



DHB-1075



DHB-1076

DHB-1076/DHB-1077

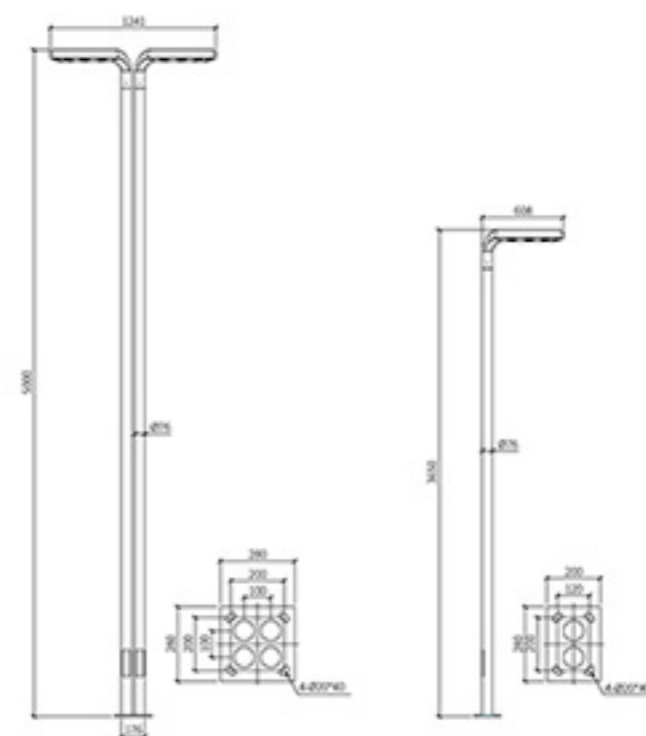
- Body: Made of aluminum and iron with treatment of anti-corrosion and UV-proof powder coating.
- Diffuser: Clear glass.
- Fastener: 304 stainless steel.

-  Sand Black
-  Dark Grey
-  Sand Silver
-  Gray Metal Sand Grain

Model NO.	Lamp	Power	Voltage	Color Temperature
DHB-1076	LED	2x80W	90-260V 50/60Hz	<input type="checkbox"/> 3000K <input type="checkbox"/> 6000K
DHB-1077	LED	80W		



Dimensions



DHB-1077



DHB-1078

DHB-1078/DHB-1079

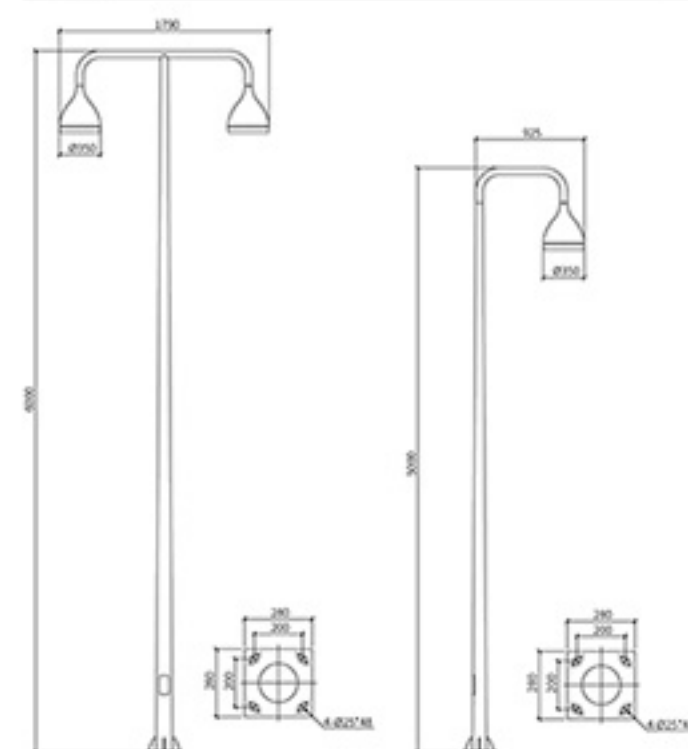
- Body: Made of aluminum and iron with treatment of anti-corrosion and UV-proof powder coating.
- Diffuser: Clear polycarbonate.
- Fastener: 304 stainless steel.

-  Sand Black
-  Dark Grey
-  Sand Silver
-  Gray Metal Sand Grain

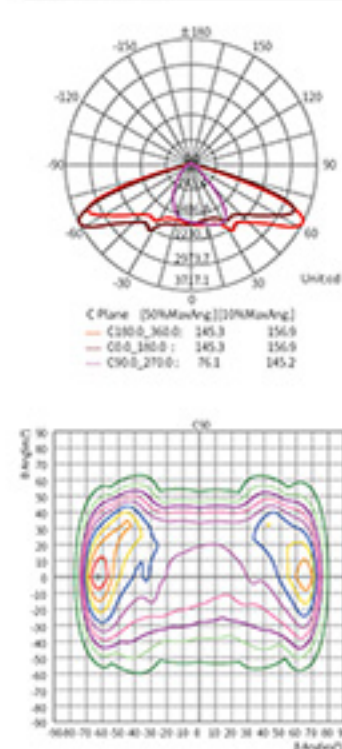
Model NO.	Lamp	Power	Voltage	Color Temperature
DHB-1078	LED	2x50W	90-260V 50/60Hz	<input checked="" type="checkbox"/> 3000K <input type="checkbox"/> 6000K
DHB-1079	LED	50W		



Dimensions



Photometric Data



DHB-1079



DHB-1080

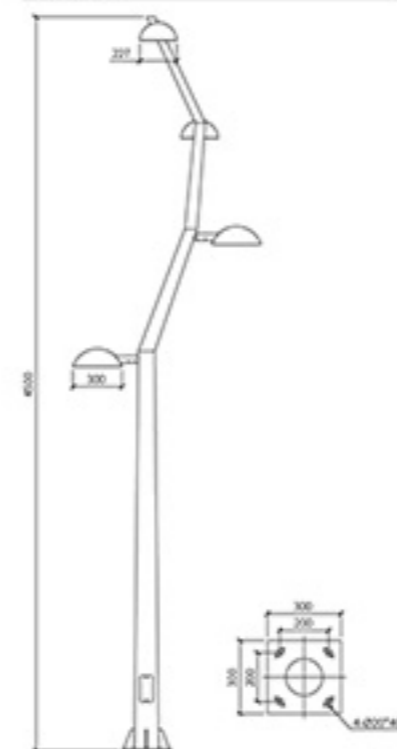
- Body: Made of aluminum and stainless steel with treatment of anti-corrosion and UV-proof powder coating.
- Diffuser: Clear polycarbonate.
- Fastener: 304 stainless steel.

	Sand Black
	Dark Grey
	Sand Silver
	Gray Metal Sand Grain

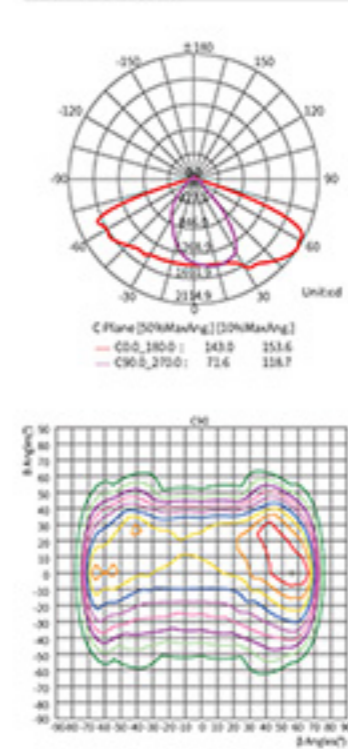
Lamp	Power	Voltage	Color Temperature
LED	4x20W	90-260V 50/60Hz	3000K 6000K



Dimensions



Photometric Data





DHB-1081

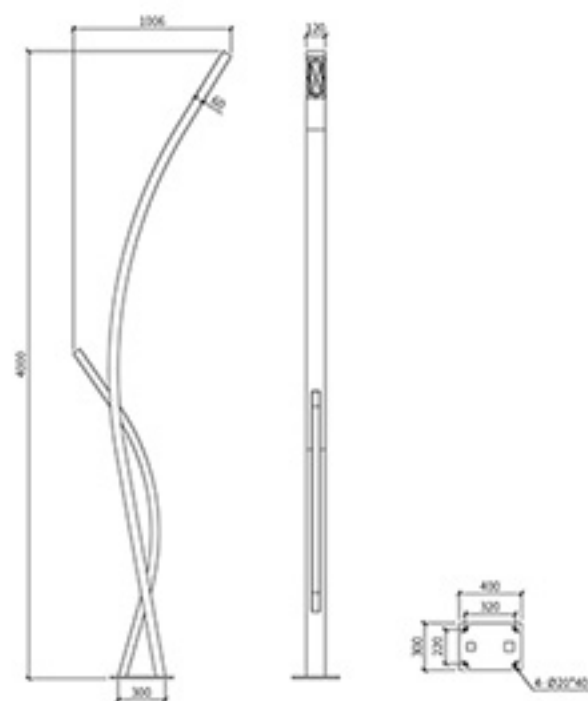
- Body: Made of stainless steel with treatment of anti-corrosion and UV-proof powder coating.
- Diffuser: PMMA.
- Fastener: 304 stainless steel.

- Sand Black
- Dark Grey
- Sand Silver
- Gray Metal Sand Grain

Lamp	Power	Voltage	Color Temperature
LED	80W	90-260V 50/60Hz	3000K 6000K



Dimensions





DHB-1082

- Body: Made of stainless steel with treatment of anti-corrosion and UV-proof powder coating.
- Diffuser: PMMA.
- Fastener: 304 stainless steel.

	Sand Black
	Dark Grey
	Sand Silver
	Gray Metal Sand Grain

Lamp	Power	Voltage	Color Temperature
LED	85W	90-260V 50/60Hz	<input type="checkbox"/> 3000K <input type="checkbox"/> 6000K



Dimensions





DHB-1083

- Body: Made of aluminum and iron with treatment of anti-corrosion and UV-proof powder coating.
- Diffuser: Clear polycarbonate.
- Fastener: 304 stainless steel.

	Sand Black
	Dark Grey
	Sand Silver
	Gray Metal Sand Grain

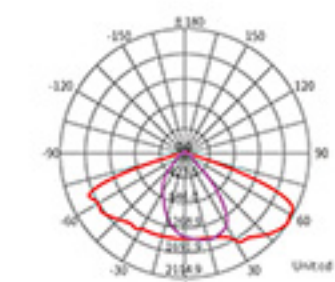
Lamp	Power	Voltage	Color Temperature
LED	4x20W	90-260V 50/60Hz	3000K 6000K



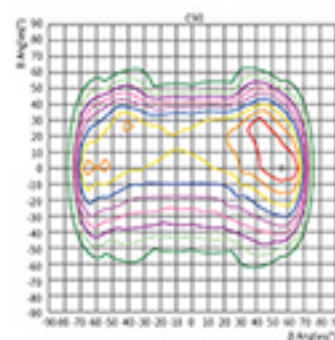
Dimensions



Photometric Data



C Plane (20%MaxAng)	(10%MaxAng)
CD-0_180.0	143.0 153.6
CD-0_270.0	71.6 118.7





DHB-1084/DHB-1085/DHB-1086/DHB-1087

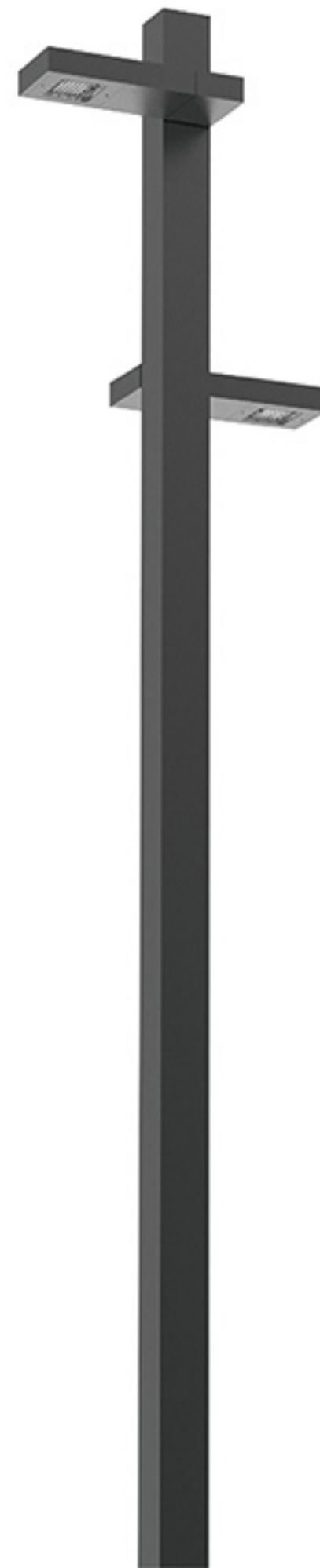
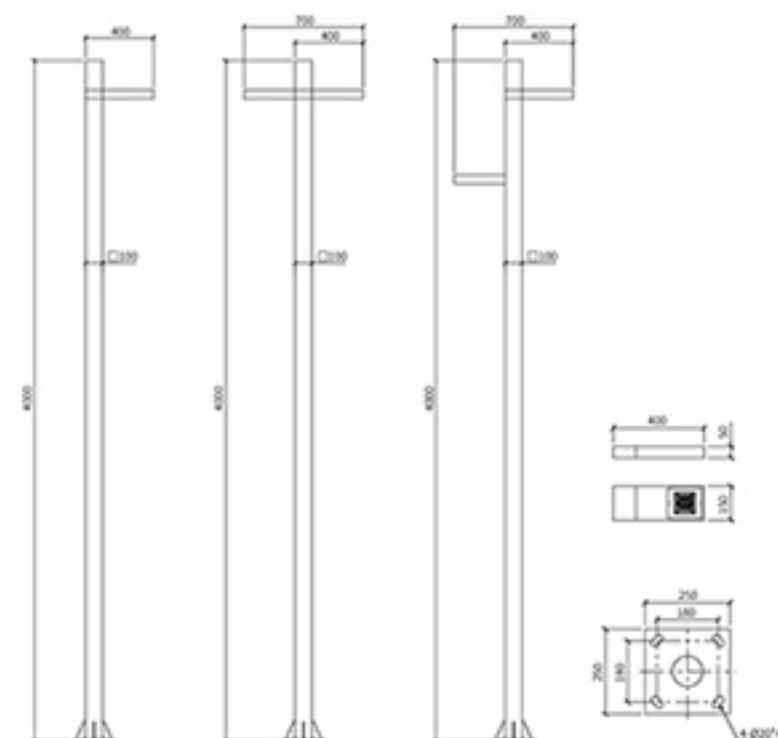
- Body: Made of stainless steel and iron with treatment of anti-corrosion and UV-proof powder coating.
- Diffuser: Clear polycarbonate.
- Fastener: 304 stainless steel.

- Sand Black
- Dark Grey
- Sand Silver
- Gray Metal Sand Grain

Model NO.	Lamp	Power	Voltage	Color Temperature
DHB-1084	LED	40W	90-260V 50/60Hz	3000K □ 6000K
DHB-1085	LED	2x40W		
DHB-1086	LED	2x40W		
DHB-1087	LED	2x40W		



Dimensions



Garden Light Series

DHB-1088

- Body: Made of stainless steel and iron with treatment of anti-corrosion and UV-proof powder coating.
- Diffuser: Clear polycarbonate.
- Fastener: 304 stainless steel.

	Sand Black
	Dark Grey
	Sand Silver
	Gray Metal Sand Grain

Lamp	Power	Voltage	Color Temperature
LED	50W	90-260V 50/60Hz	<input type="checkbox"/> 3000K <input type="checkbox"/> 6000K



Dimensions



DHB-1089

- Body: Made of stainless steel and iron with treatment of anti-corrosion and UV-proof powder coating.
- Diffuser: Clear polycarbonate.
- Fastener: 304 stainless steel.

	Sand Black 沙黑
	Dark Grey 深灰
	Sand Silver 沙银
	Gray Metal Sand Grain 灰金属砂纹

Lamp	Power	Voltage	Color Temperature
LED	50W	90-260V 50/60Hz	<input type="checkbox"/> 3000K <input type="checkbox"/> 6000K





Dimensions





DHB-1090

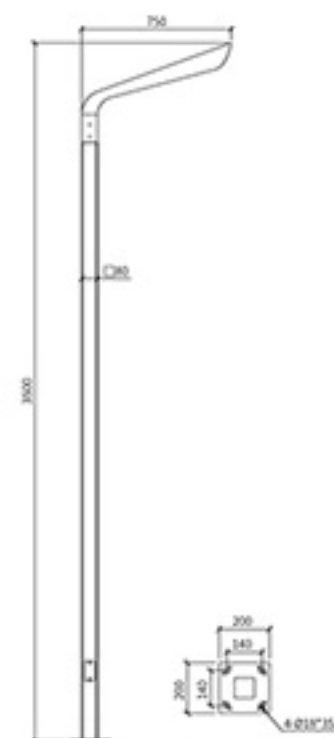
- Body: Made of stainless steel with treatment of anti-corrosion and UV-proof powder coating.
- Diffuser: Clear polycarbonate.
- Fastener: 304 stainless steel.

	Sand Black
	Dark Grey
	Sand Silver
	Gray Metal Sand Grain

Lamp	Power	Voltage	Color Temperature
LED	50W	90-260V 50/60Hz	 3000K  6000K



Dimensions



DHB-1091

- Body: Made of aluminum and iron with treatment of anti-corrosion and UV-proof powder coating.
- Diffuser: Clear polycarbonate.
- Fastener: 304 stainless steel.

- Sand Black
- Dark Grey
- Sand Silver
- Gray Metal Sand Grain

Lamp	Power	Voltage	Color Temperature
LED	50-60W	90-260V 50/60Hz	3000K 6000K



Dimensions



DHB-1092

- Body: Made of aluminum and iron with treatment of anti-corrosion and UV-proof powder coating.
- Diffuser: Clear polycarbonate.
- Fastener: 304 stainless steel.

- Sand Black
- Dark Grey
- Sand Silver
- Gray Metal Sand Grain

Lamp	Power	Voltage	Color Temperature
LED	2x50W	90-260V 50/60Hz	3000K 6000K



Dimensions





DHB-1093

- Body: Made of aluminum with treatment of anti-corrosion and UV-proof powder coating.
- Diffuser: Clear polycarbonate.
- Fastener: 304 stainless steel.

	Sand Black
	Dark Grey
	Sand Silver
	Gray Metal Sand Grain

Lamp	Power	Voltage	Color Temperature
LED	2x30W	90-260V 50/60Hz	<input type="checkbox"/> 3000K <input type="checkbox"/> 6000K



Dimensions





DHB-1094

DHB-1094/DHB-1095

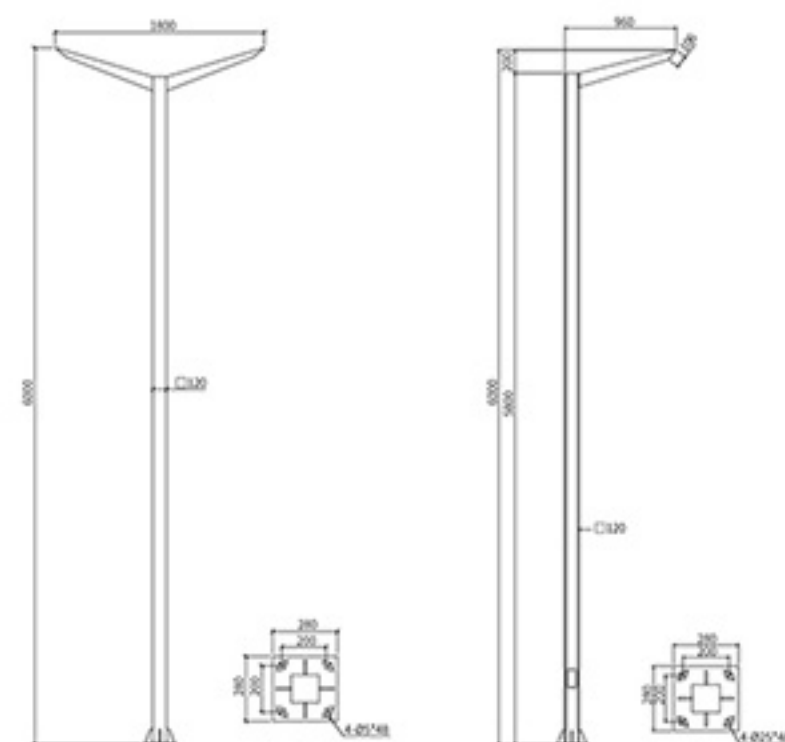
- Body: Made of stainless steel with treatment of anti-corrosion and UV-proof powder coating.
- Diffuser: Clear polycarbonate.
- Fastener: 304 stainless steel.

	Sand Black
	Dark Grey
	Sand Silver
	Gray Metal Sand Grain

Model NO.	Lamp	Power	Voltage	Color Temperature
DHB-1094	LED	2x80W	90-260V 50/60Hz	<input type="checkbox"/> 3000K <input type="checkbox"/> 6000K
DHB-1095	LED	80W		



Dimensions



DHB-1095



DHB-1096



DHB-1097



DHB-1098

DHB-1096/DHB-1097/DHB-1098

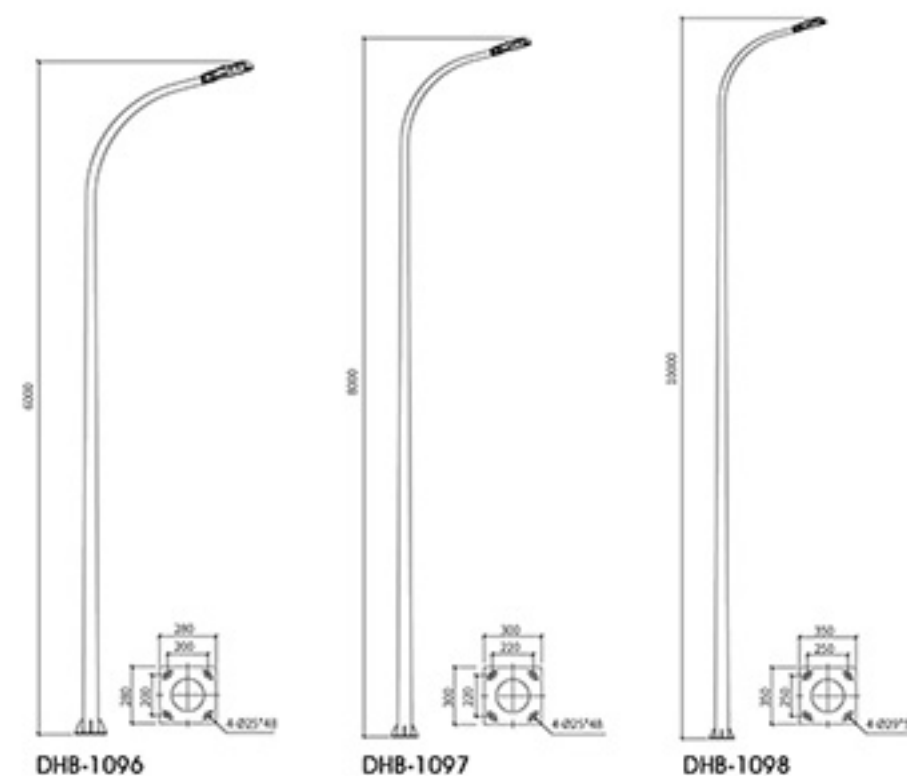
- Body: Made of aluminum and iron with treatment of anti-corrosion and UV-proof powder coating.
- Diffuser: Clear polycarbonate.
- Fastener: 304 stainless steel.

- Sand Black
- Dark Grey
- Sand Silver
- Gray Metal Sand Grain

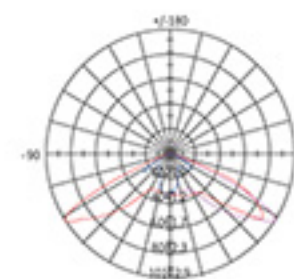
Model NO.	Lamp	Power	Voltage	Color Temperature
DHB-1096	LED	100W	90-260V 50/60Hz	3000K 6000K
DHB-1097	LED	150W		
DHB-1098	LED	200W		



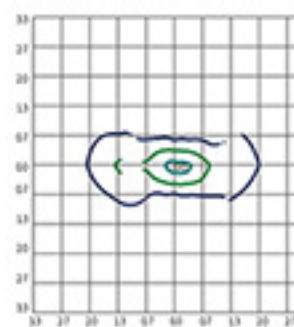
Dimensions



Photometric Data



Light Distribution Curves (Linear)
 CG/C180 - C190/C270 - C180 - C190



Garden Light Series

DHB-1382

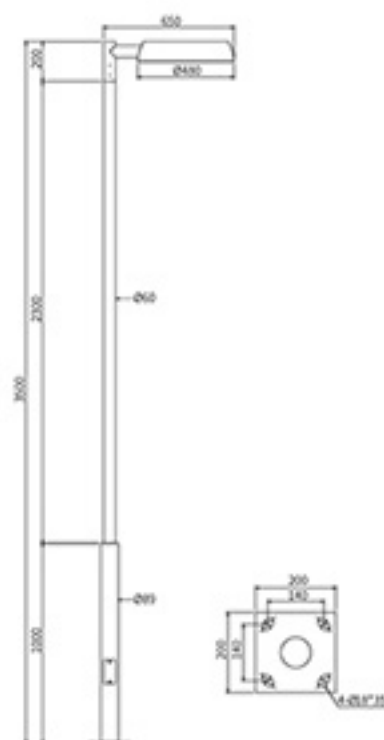
- Body: Made of aluminum and iron with treatment of anti-corrosion and UV-proof powder coating.
- Diffuser: Clear polycarbonate.
- Fastener: 304 stainless steel.

	Sand Black
	Dark Grey
	Sand Silver
	Gray Metal Sand Grain

Lamp	Power	Voltage	Color Temperature
LED	40W	90-260V 50/60Hz	<input type="checkbox"/> 3000K <input type="checkbox"/> 6000K



Dimensions



DHB-1383

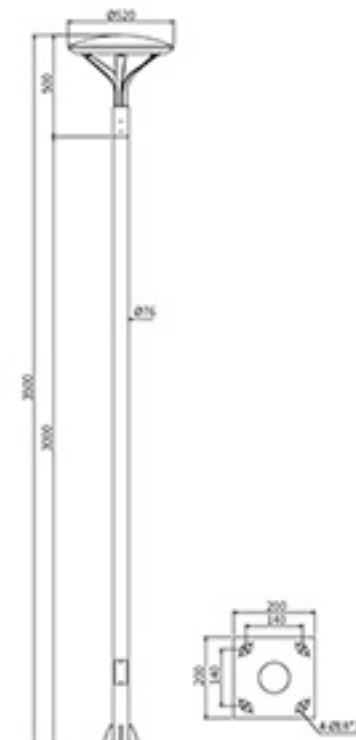
- Body: Made of aluminum and iron with treatment of anti-corrosion and UV-proof powder coating.
- Diffuser: Clear polycarbonate.
- Fastener: 304 stainless steel.

	Sand Black
	Dark Grey
	Sand Silver
	Gray Metal Sand Grain

Lamp	Power	Voltage	Color Temperature
LED	40W	90-260V 50/60Hz	<input type="checkbox"/> 3000K <input type="checkbox"/> 6000K



Dimensions





DHB-1026



DHB-1027

DHB-1026/DHB-1027/DHB-1028

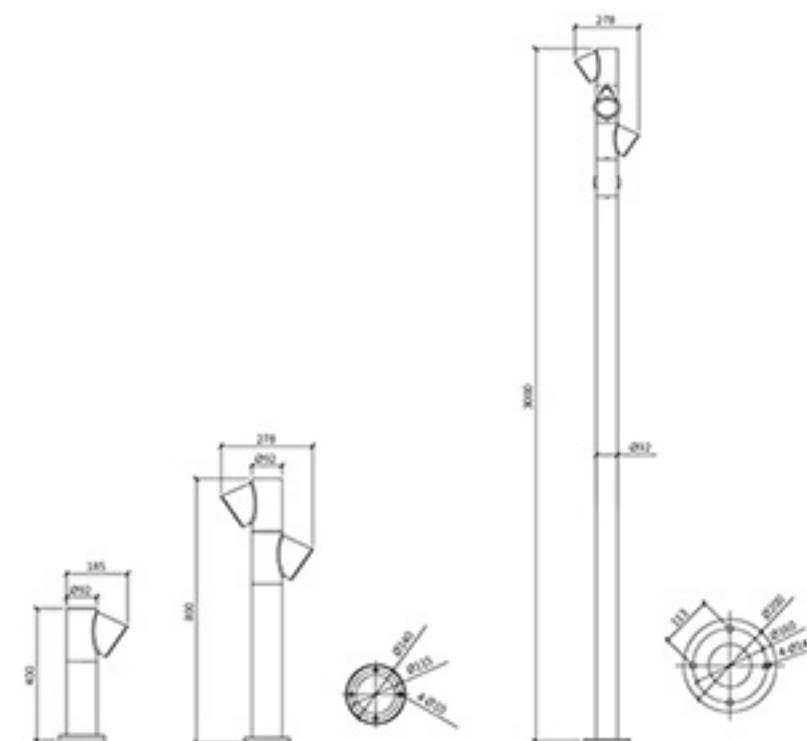
- Body: Made of aluminum with treatment of anti-corrosion and UV-proof powder coating.
- Diffuser: Clear glass.
- Fastener: 304 stainless steel.

- Sand Black
- Dark Grey
- Sand Silver
- Gray Metal Sand Grain

Model NO.	Lamp	Power	Voltage	Color Temperature
DHB-1026	LED	10W	90-260V 50/60Hz	3000K 6000K
DHB-1027	LED	2x10W		
DHB-1028	LED	4x15W		



Dimensions



DHB-1028



DHB-1029

DHB-1029/DHB-1030

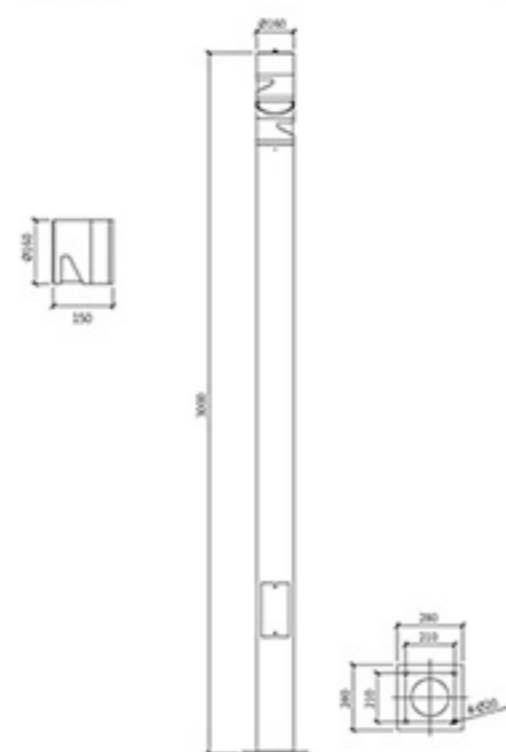
- Body: Made of aluminum with treatment of anti-corrosion and UV-proof powder coating.
- Diffuser: Clear polycarbonate.
- Fastener: 304 stainless steel.

	Sand Black
	Dark Grey
	Sand Silver
	Gray Metal Sand Grain

Model NO.	Lamp	Power	Voltage	Color Temperature
DHB-1029	LED	10W	90-260V 50/60Hz	<input type="checkbox"/> 3000K <input type="checkbox"/> 6000K
DHB-1030	LED	45W		



Dimensions



DHB-1030

Garden Light Series

DHB-1034

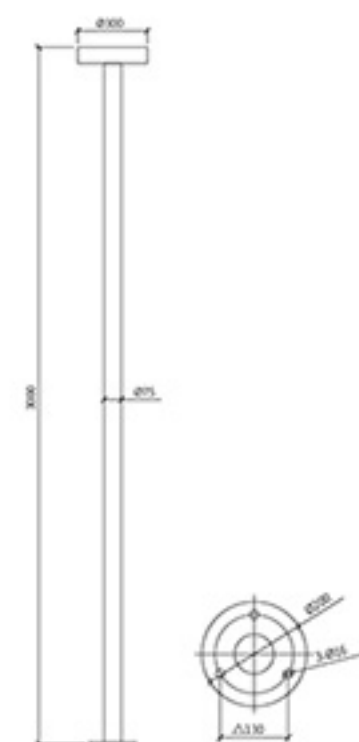
- Body: Made of aluminum with treatment of anti-corrosion and UV-proof powder coating.
- Diffuser: Frosted polycarbonate.
- Fastener: 304 stainless steel.

	Sand Black
	Dark Grey
	Sand Silver
	Gray Metal Sand Grain

Lamp	Power	Voltage	Color Temperature
LED	35W	90-260V 50/60Hz	<input type="checkbox"/> 3000K <input type="checkbox"/> 6000K



Dimensions



DHB-1380

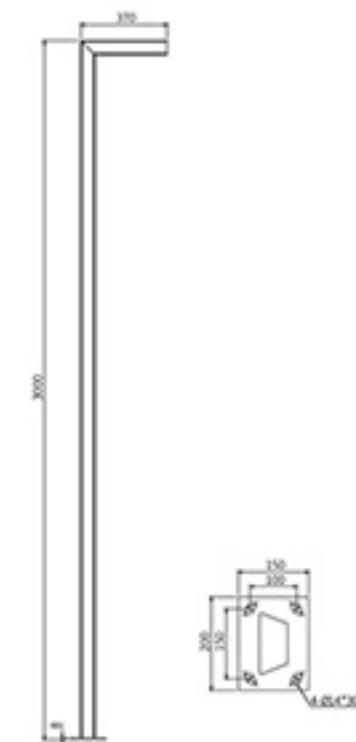
- Body: Made of aluminum with treatment of anti-corrosion and UV-proof powder coating.
- Diffuser: Clear polycarbonate.
- Fastener: 304 stainless steel.

	Sand Black
	Dark Grey
	Sand Silver
	Gray Metal Sand Grain

Lamp	Power	Voltage	Color Temperature
LED	30W	90-260V 50/60Hz	<input type="checkbox"/> 3000K <input type="checkbox"/> 6000K



Dimensions





DHB-1035

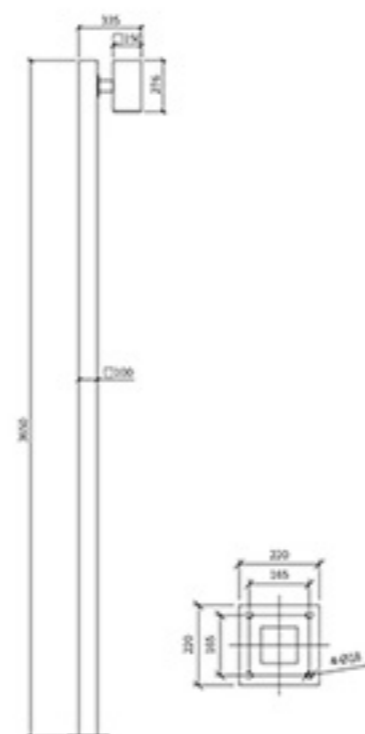
- Body: Made of aluminum with treatment of anti-corrosion and UV-proof powder coating.
- Diffuser: Clear polycarbonate.
- Fastener: 304 stainless steel.

- Sand Black
- Dark Grey
- Sand Silver
- Gray Metal Sand Grain

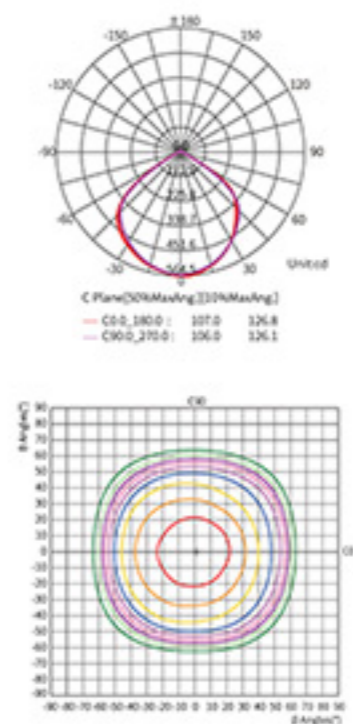
Lamp	Power	Voltage	Color Temperature
LED	30W	90-260V 50/60Hz	3000K 6000K



Dimensions



Photometric Data





DHB-1036

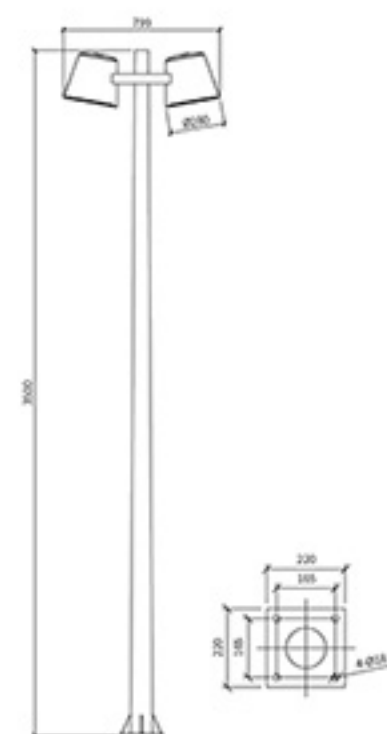
- Body: Made of aluminum with treatment of anti-corrosion and UV-proof powder coating.
- Diffuser: Polycarbonate.
- Fastener: 304 stainless steel.

	Sand Black
	Dark Grey
	Sand Silver
	Gray Metal Sand Grain

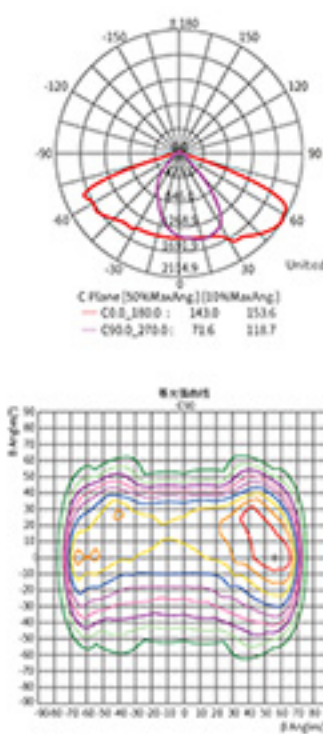
Lamp	Power	Voltage	Color Temperature
LED	2x30W	90-260V 50/60Hz	<input checked="" type="checkbox"/> 3000K <input type="checkbox"/> 6000K



Dimensions



Photometric Data





DHB-1037

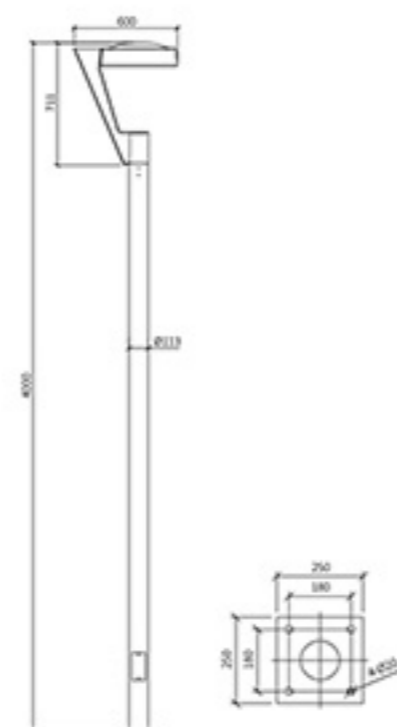
- Body: Made of aluminum with treatment of anti-corrosion and UV-proof powder coating.
- Diffuser: Clear polycarbonate.
- Fastener: 304 stainless steel.

	Sand Black
	Dark Grey
	Sand Silver
	Gray Metal Sand Grain

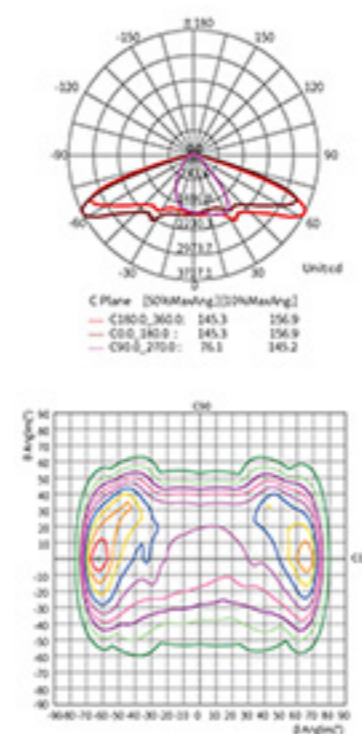
Lamp	Power	Voltage	Color Temperature
LED	30W	90-260V 50/60Hz	3000K 6000K



Dimensions



Photometric Data





DHB-1038

DHB-1038/DHB-1039

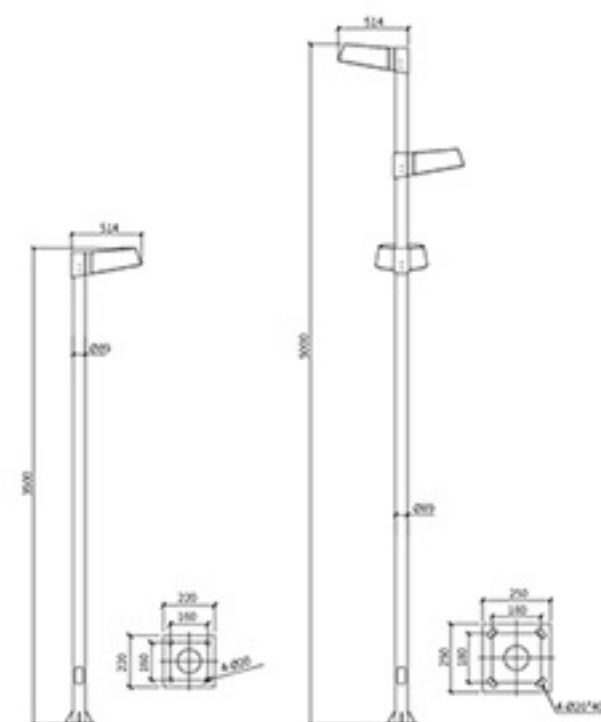
- Body: Made of aluminum with treatment of anti-corrosion and UV-proof powder coating.
- Diffuser: Clear polycarbonate.
- Fastener: 304 stainless steel.

- Sand Black
- Dark Grey
- Sand Silver
- Gray Metal Sand Grain

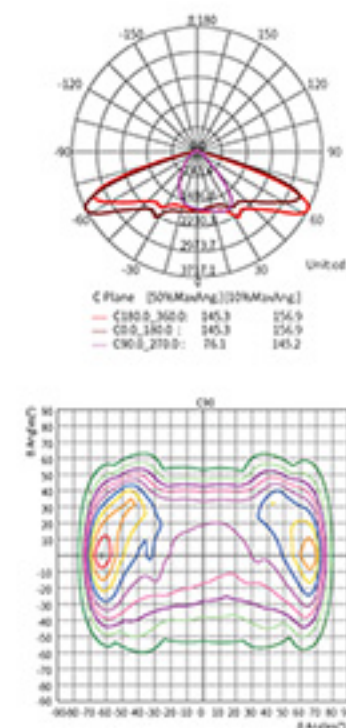
Model NO.	Lamp	Power	Voltage	Color Temperature
DHB-1038	LED	50W	90-260V 50/60Hz	3000K 6000K
DHB-1039	LED	3x50W		



Dimensions (mm)



Photometric Data



DHB-1039



DHB-1040

DHB-1040/DHB-1041

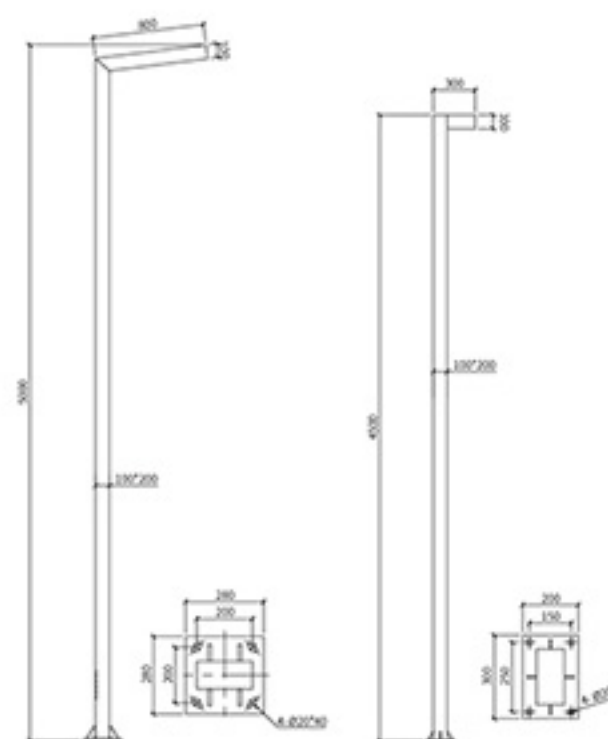
- Body: Made of aluminum with treatment of anti-corrosion and UV-proof powder coating.
- Diffuser: Clear polycarbonate.
- Fastener: 304 stainless steel.

	Sand Black
	Dark Grey
	Sand Silver
	Gray Metal Sand Grain

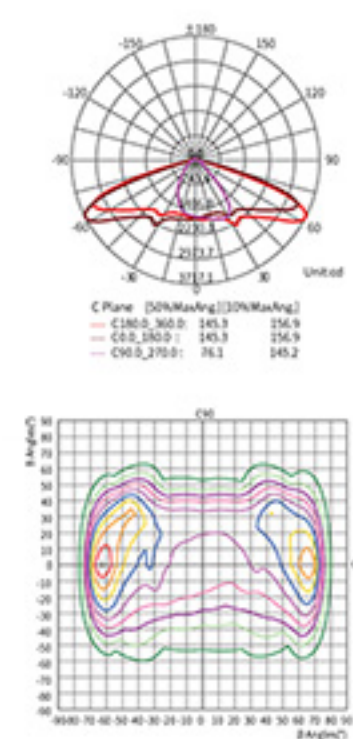
Model NO.	Lamp	Power	Voltage	Color Temperature
DHB-1040	LED	50W	90-260V 50/60Hz	<input checked="" type="checkbox"/> 3000K <input type="checkbox"/> 6000K
DHB-1041	LED	50W		



Dimensions



Photometric Data



DHB-1041



DHB-1042

- Body: Made of aluminum with treatment of anti-corrosion and UV-proof powder coating.
- Diffuser: Opal PMMA.
- Fastener: 304 stainless steel.

	Sand Black
	Dark Grey
	Sand Silver
	Gray Metal Sand Grain

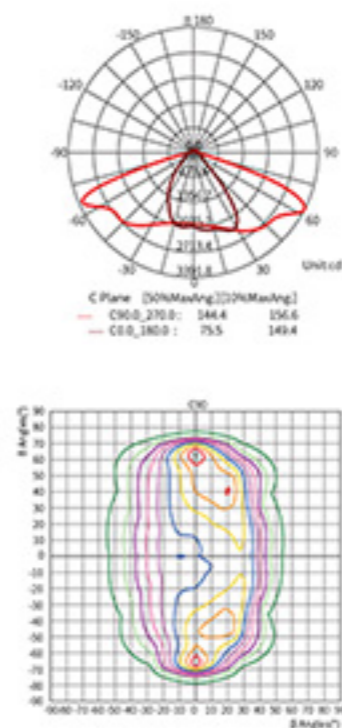
Lamp	Power	Voltage	Color Temperature
LED	50W	90-260V 50/60Hz	<input checked="" type="checkbox"/> 3000K <input type="checkbox"/> 6000K



Dimensions



Photometric Data





DHB-1043

DHB-1043/DHB-1044

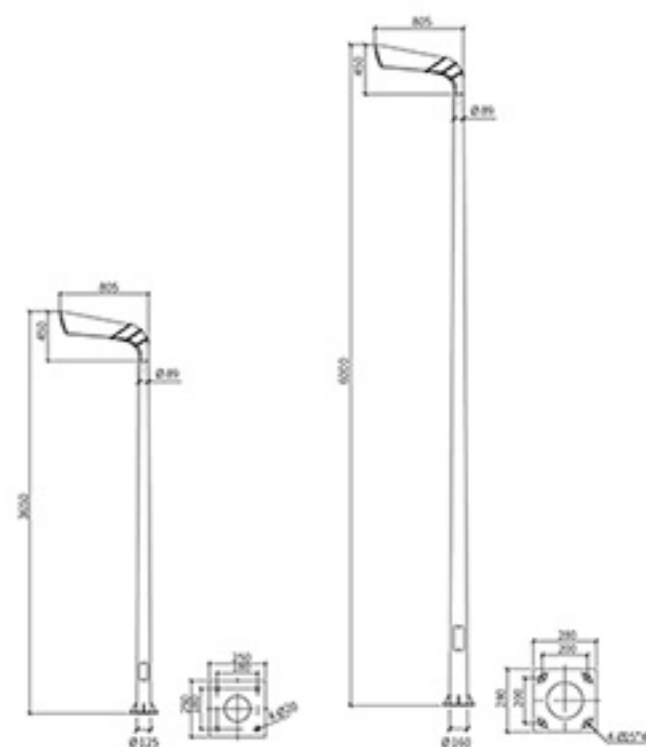
- Body: Made of aluminum with treatment of anti-corrosion and UV-proof powder coating.
- Diffuser: Clear polycarbonate/glass.
- Fastener: 304 stainless steel.

	Sand Black
	Dark Grey
	Sand Silver
	Gray Metal Sand Grain

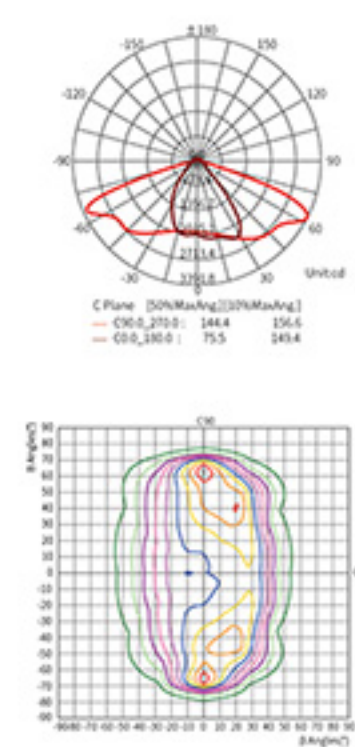
Model NO.	Lamp	Power	Voltage	Color Temperature
DHB-1043	LED	50W	90-260V 50/60Hz	3000K 6000K
DHB-1044	LED	2x20W		



Dimensions



Photometric Data



DHB-1044



DHB-1045

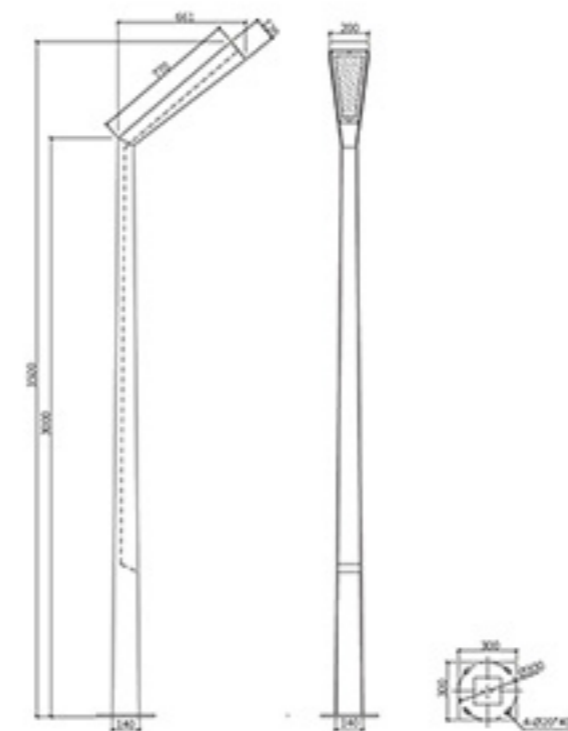
- Body: Made of stainless steel with treatment of anti-corrosion and UV-proof powder coating.
- Diffuser: PMMA.
- Fastener: 304 stainless steel.

	Sand Black
	Dark Grey
	Sand Silver
	Gray Metal Sand Grain

Lamp	Power	Voltage	Color Temperature
LED	36W	90-260V 50/60Hz	<input checked="" type="checkbox"/> 3000K <input type="checkbox"/> 6000K



Dimensions





DHB-1046

- Body: Made of aluminum with treatment of anti-corrosion and UV-proof powder coating.
- Diffuser: PC.
- Fastener: 304 stainless steel.

	Sand Black
	Dark Grey
	Sand Silver
	Gray Metal Sand Grain

Lamp	Power	Voltage	Color Temperature
LED	4x7W	90-260V 50/60Hz	<input type="checkbox"/> 3000K <input type="checkbox"/> 6000K



Dimensions





DHB-1047

DHB-1047/DHB-1048

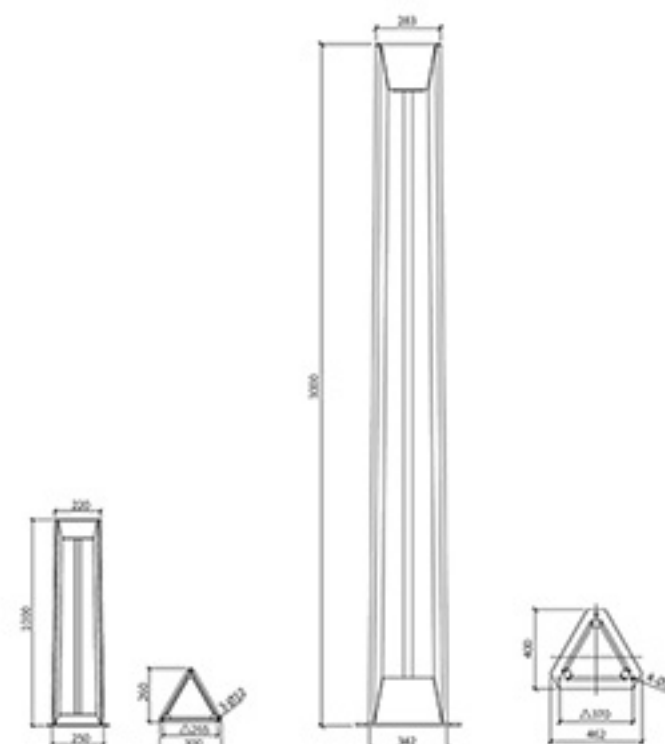
- Body: Made of aluminum with treatment of anti-corrosion and UV-proof powder coating.
- Diffuser: Clear glass.
- Fastener: 304 stainless steel.

- Sand Black
- Dark Grey
- Sand Silver
- Gray Metal Sand Grain

Model NO.	Lamp	Power	Voltage	Color Temperature
DHB-1047	LED	15W	90-260V 50/60Hz	3000K 6000K
DHB-1048	LED	40W		



Dimensions



DHB-1048



DHB-1049

- Body: Made of aluminum with treatment of anti-corrosion and UV-proof powder coating.
- Diffuser: Glass.
- Fastener: 304 stainless steel.

	Sand Black
	Dark Grey
	Sand Silver
	Gray Metal Sand Grain

Lamp	Power	Voltage	Color Temperature
LED	40W	90-260V 50/60Hz	<input type="checkbox"/> 3000K <input type="checkbox"/> 6000K




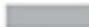

Dimensions





DHB-1050

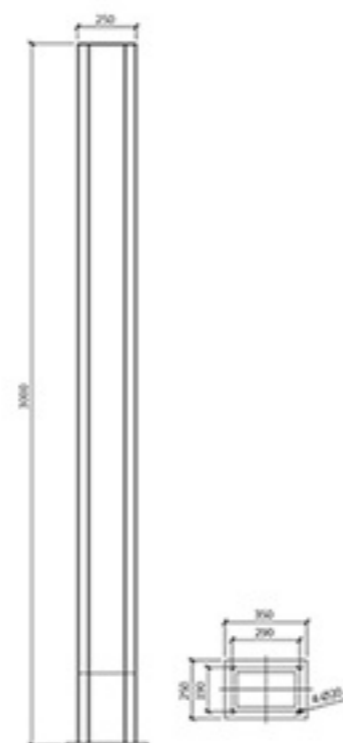
- Body: Made of aluminum with treatment of anti-corrosion and UV-proof powder coating.
- Diffuser: PMMA.
- Fastener: 304 stainless steel.

	Sand Black
	Dark Grey
	Sand Silver
	Gray Metal Sand Grain

Lamp	Power	Voltage	Color Temperature
LED	2x30W	90-260V 50/60Hz	<input type="checkbox"/> 3000K <input type="checkbox"/> 6000K



Dimensions



Garden Light Series

DHB-1051

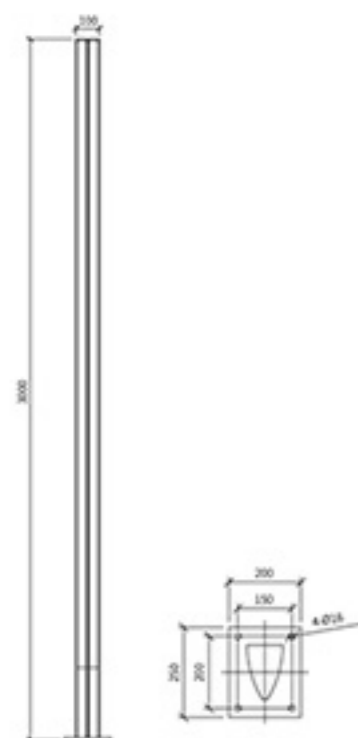
- Body: Made of aluminum with treatment of anti-corrosion and UV-proof powder coating.
- Diffuser: PMMA.
- Fastener: 304 stainless steel.

- Sand Black
- Dark Grey
- Sand Silver
- Gray Metal Sand Grain

Lamp	Power	Voltage	Color Temperature
LED	2x30W	90-260V 50/60Hz	3000K 6000K



Dimensions



DHB-1052

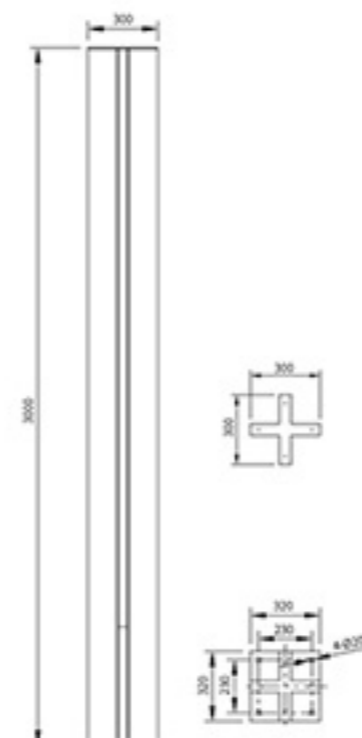
- Body: Made of aluminum with treatment of anti-corrosion and UV-proof powder coating.
- Diffuser: PMMA.
- Fastener: 304 stainless steel.

- Sand Black
- Dark Grey
- Sand Silver
- Gray Metal Sand Grain

Lamp	Power	Voltage	Color Temperature
LED	4x30W	90-260V 50/60Hz	3000K 6000K



Dimensions





DHB-1053



DHB-1053/DHB-1054

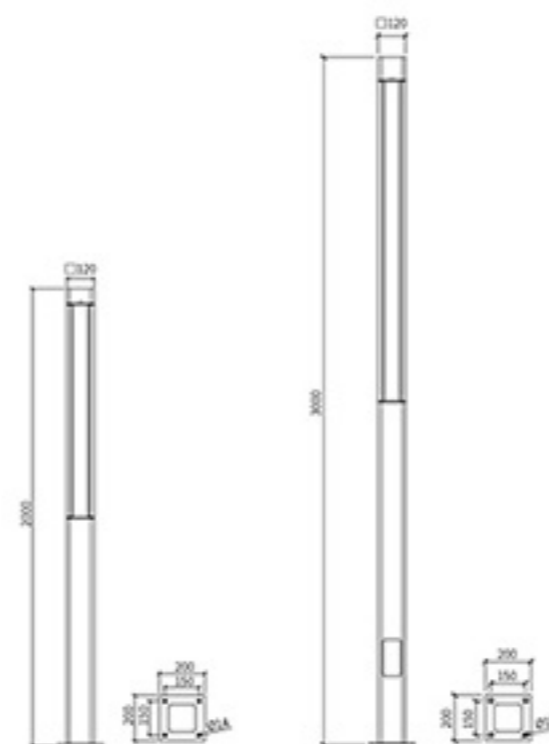
- Body: Made of aluminum with treatment of anti-corrosion and UV-proof powder coating.
- Diffuser: Glass
- Fastener: 304 stainless steel.

	Sand Black
	Dark Grey
	Sand Silver
	Gray Metal Sand Grain

Model NO.	Lamp	Power	Voltage	Color Temperature
DHB-1053	LED	20W	90-260V 50/60Hz	<input type="checkbox"/> 3000K <input type="checkbox"/> 6000K
DHB-1054	LED	20W		



Dimensions



DHB-1054



DHB-1057

DHB-1057/DHB-1058/DHB-1059

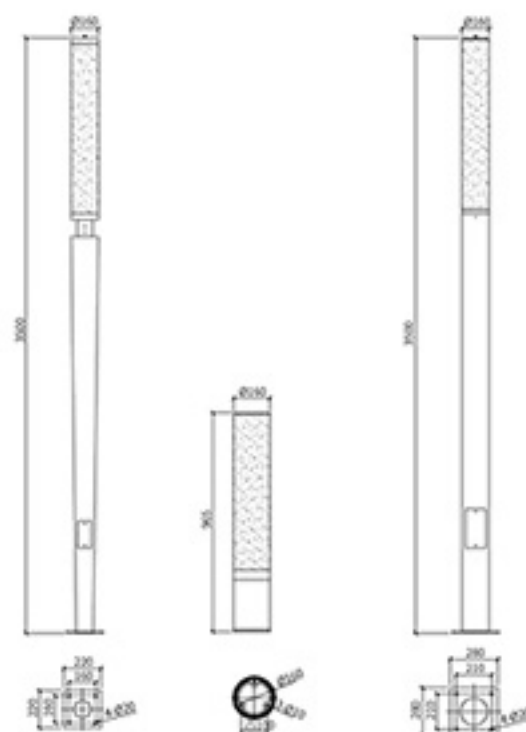
- Body: Made of aluminum with treatment of anti-corrosion and UV-proof powder coating.
- Diffuser: Opal PMMA.
- Fastener: 304 stainless steel.

- Sand Black
- Dark Grey
- Sand Silver
- Gray Metal Sand Grain

Model NO.	Lamp	Power	Voltage	Color Temperature
DHB-1057	LED	28W	90-260V 50/60Hz	3000K 6000K
DHB-1058	LED	28W		
DHB-1059	LED	28W		



Dimensions



DHB-1058



DHB-1059

Garden Light Series

DHB-1060

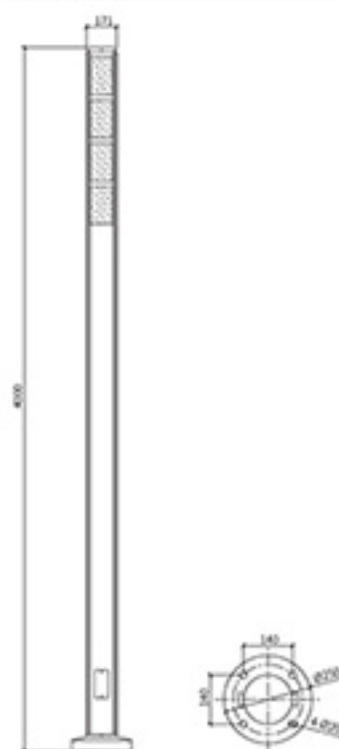
- Body: Made of aluminum with treatment of anti-corrosion and UV-proof powder coating.
- Diffuser: Opal PMMA.
- Fastener: 304 stainless steel.

	Sand Black
	Dark Grey
	Sand Silver
	Gray Metal Sand Grain

Lamp	Power	Voltage	Color Temperature
LED	25W	90-260V 50/60Hz	<input type="checkbox"/> 3000K <input type="checkbox"/> 6000K



Dimensions



007

DHB-1381

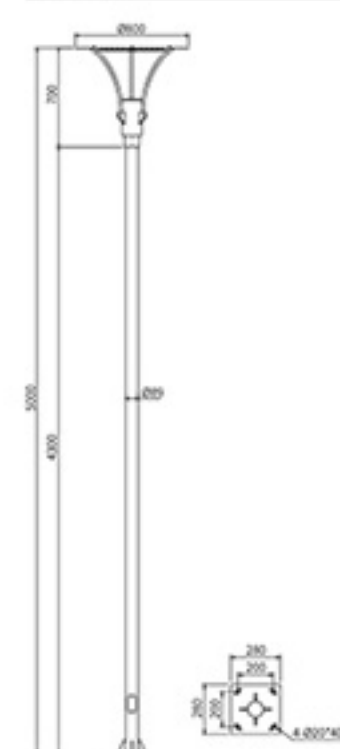
- Body: Made of aluminum and iron with treatment of anti-corrosion and UV-proof powder coating.
- Diffuser: Glass.
- Fastener: 304 stainless steel.

	Sand Black
	Dark Grey
	Sand Silver
	Gray Metal Sand Grain

Lamp	Power	Voltage	Color Temperature
LED	40W	90-260V 50/60Hz	<input type="checkbox"/> 3000K <input type="checkbox"/> 6000K



Dimensions



008



DHB-1061/DHB-1062

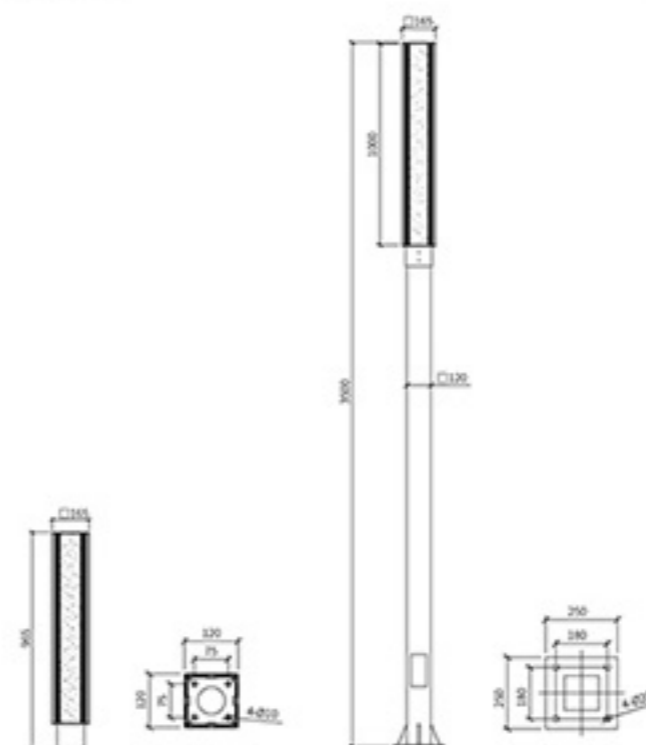
- Body: Made of aluminum with treatment of anti-corrosion and UV-proof powder coating.
- Diffuser: Opal PMMA.
- Fastener: 304 stainless steel.

	Sand Black
	Dark Grey
	Sand Silver
	Gray Metal Sand Grain

Model NO.	Lamp	Power	Voltage	Color Temperature
DHB-1061	LED	20W	90-260V 50/60Hz	<input type="checkbox"/> 3000K <input type="checkbox"/> 6000K
DHB-1062	LED	24W		



Dimensions



DHB-1061



DHB-1062



DHB-1063/DHB-1064

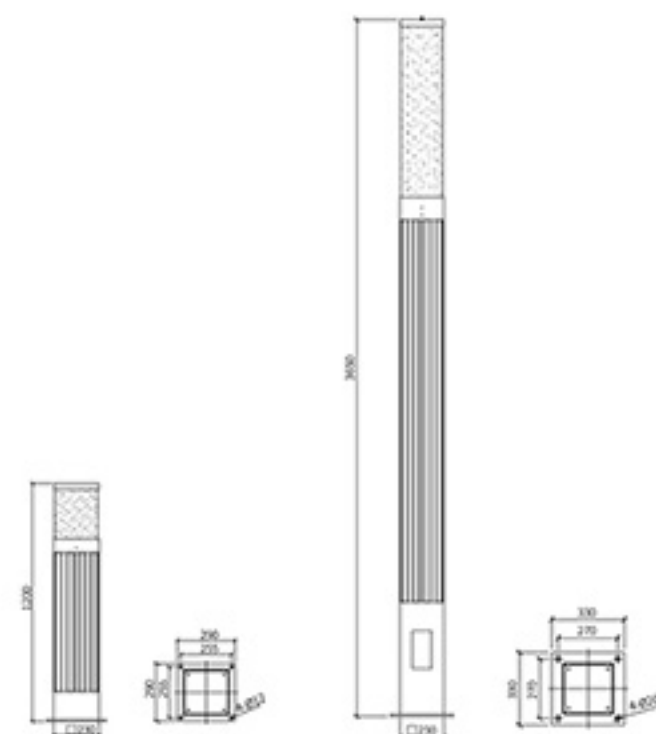
- Body: Made of aluminum with treatment of anti-corrosion and UV-proof powder coating.
- Diffuser: PMMA.
- Fastener: 304 stainless steel.

	Sand Black
	Dark Grey
	Sand Silver
	Gray Metal Sand Grain

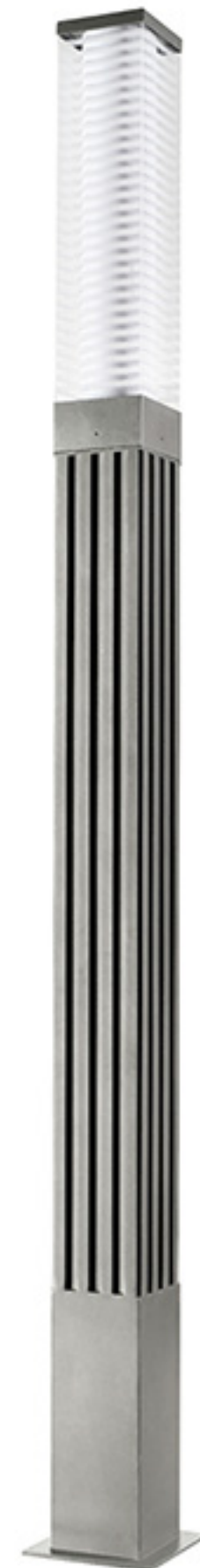
Model NO.	Lamp	Power	Voltage	Color Temperature
DHB-1063	LED	30W	90-260V 50/60Hz	<input type="checkbox"/> 3000K <input type="checkbox"/> 6000K
DHB-1064	LED	35W		



Dimensions



DHB-1063




DHB-1064



DHB-1065

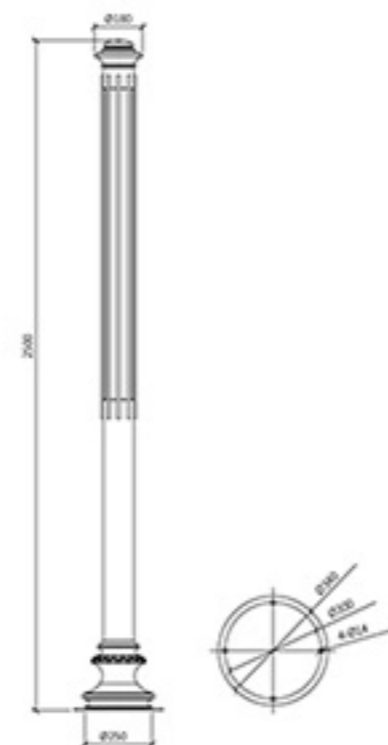
- Body: Made of aluminum with treatment of anti-corrosion and UV-proof powder coating.
- Diffuser: Opal PMMA.
- Fastener: 304 stainless steel.

	Sand Black
	Dark Grey
	Sand Silver
	Gray Metal Sand Grain

Lamp	Power	Voltage	Color Temperature
LED	24W	90-260V 50/60Hz	<input type="checkbox"/> 3000K <input type="checkbox"/> 6000K



Dimensions





DHB-1099

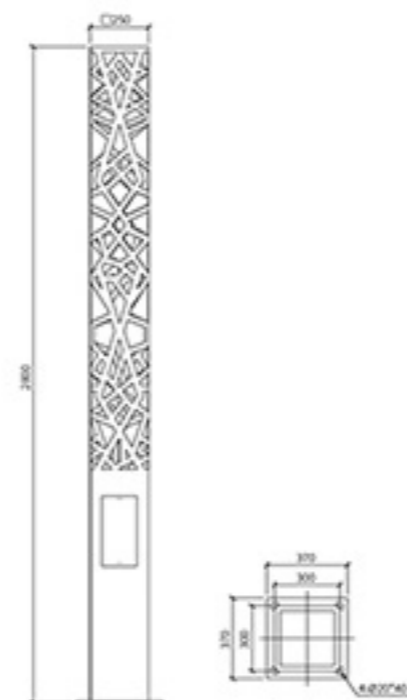
- Body: Made of stainless steel with treatment of corrosion protection and UV-proof powder coating.
- Diffuser: PMMA.
- Fastener: 304 stainless steel.

	Sand Black
	Dark Grey
	Sand Silver
	Gray Metal Sand Grain

Lamp	Power	Voltage	Color Temperature
LED T5	96W	90-260V 50/60Hz	<input type="checkbox"/> 3000K <input type="checkbox"/> 6000K



Dimensions





DHB-1100

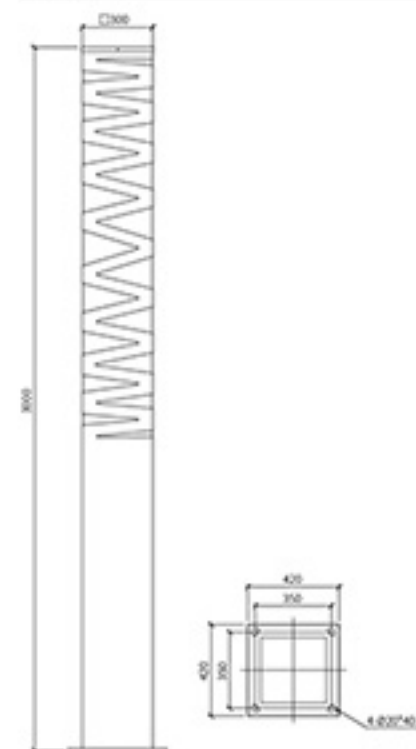
- Body: Made of stainless steel with treatment of corrosion protection and UV-proof powder coating.
- Diffuser: PMMA.
- Fastener: 304 stainless steel.

- Sand Black
- Dark Grey
- Sand Silver
- Gray Metal Sand Grain

Lamp	Power	Voltage	Color Temperature
LED T5	4x20W	90-260V 50/60Hz	<input type="checkbox"/> 3000K <input type="checkbox"/> 6000K



Dimensions





DHB-1101

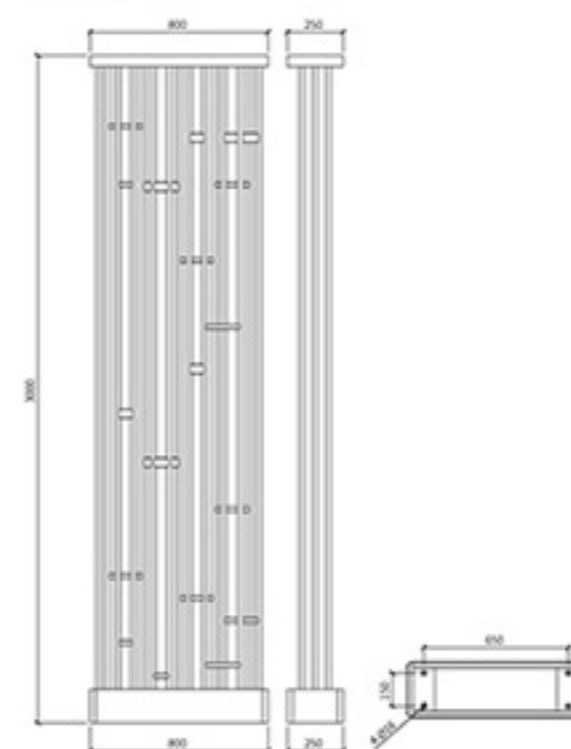
- Body: Made of stainless steel with treatment of corrosion protection and UV-proof powder coating.
- Diffuser: Clear polycarbonate.
- Fastener: 304 stainless steel.

	Sand Black
	Dark Grey
	Sand Silver
	Gray Metal Sand Grain

Lamp	Power	Voltage	Color Temperature
LED	192W	90-260V 50/60Hz	<input type="checkbox"/> 3000K <input type="checkbox"/> 6000K

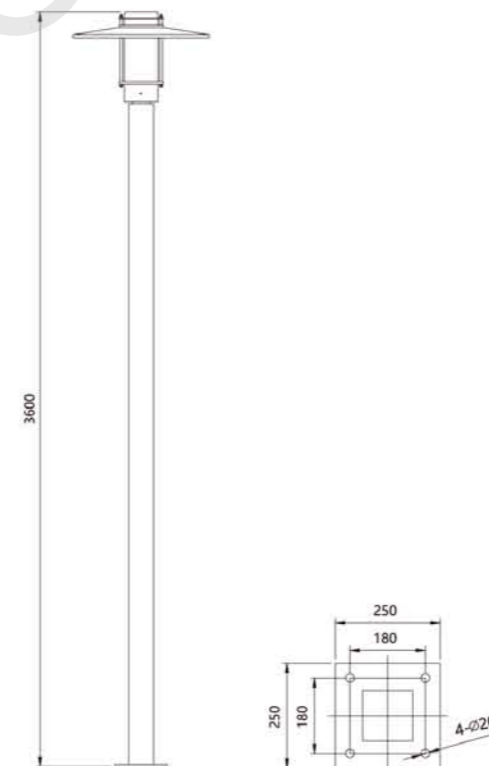


Dimensions



GARDEN LIGHT

- Body: Made of aluminum with treatment of anti-corrosion and UV-proof powder coating.
- Diffuser: PC.
- Fastener: 304 stainless steel.



DHK-9046

Lamp: LED
LED Power: 30W
Voltage: 90-260V 50/60Hz

Color Temperature

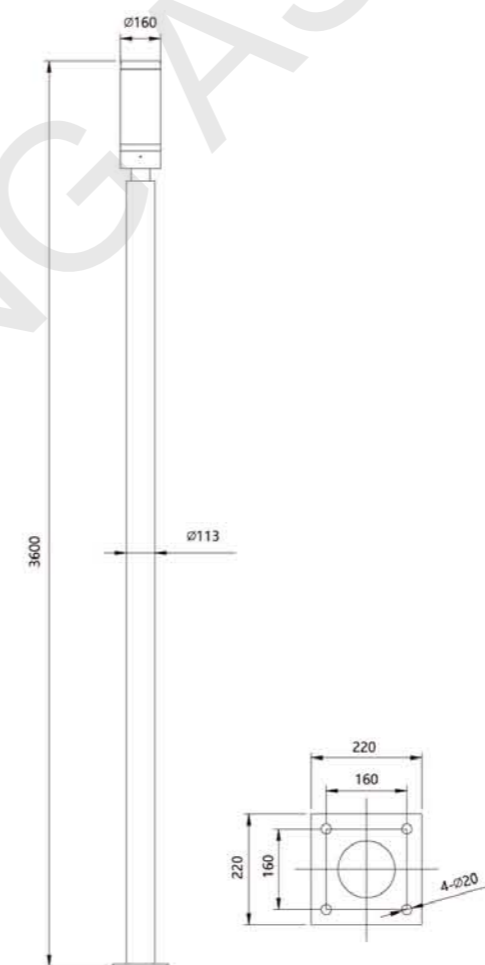
3000K
6000K





GARDEN LIGHT

- Body: Made of extruded aluminum with treatment of corrosion protection and UV-proof powder coating.
- Diffuser: PC.
- Fastener: 304 stainless steel.



DHK-9047

Lamp: LED
LED Power: 20W
Voltage: 90-260V 50/60Hz

Color Temperature

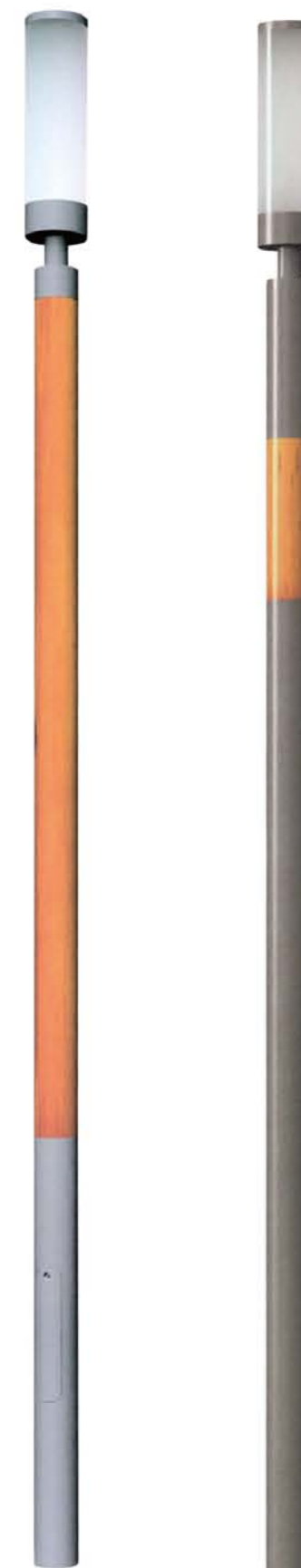
- 3000K
 6000K

DHK-9048

Lamp: LED
LED Power: 20W
Voltage: 90-260V 50/60Hz

Color Temperature

- 3000K
 6000K

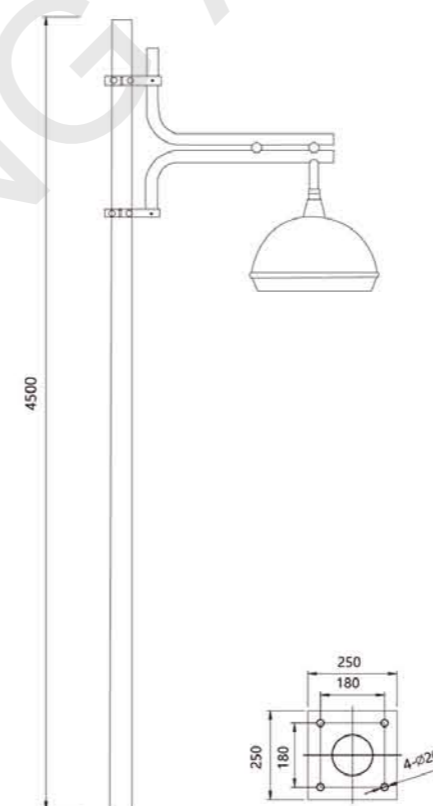


DHK-9047

DHK-9048

GARDEN LIGHT

- Body: Made of cast aluminum and iron with treatment of corrosion protection and UV-proof powder coating.
- Diffuser: Clear glass
- Fastener: 304 stainless steel.



DHK-9049

Lamp: LED

LED Power: 50W

Voltage: 90-260V 50/60Hz

Color Temperature

3000K

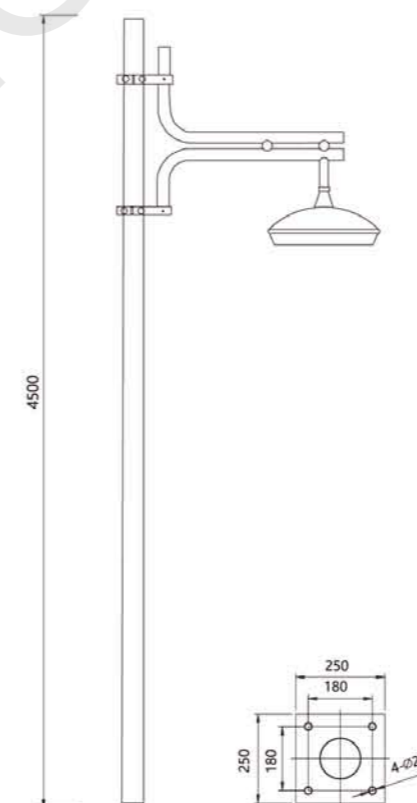
6000K





GARDEN LIGHT

- Body: Made of cast aluminum and iron with treatment of corrosion protection and UV-proof powder coating.
- Diffuser: Clear glass
- Fastener: 304 stainless steel.



DHK-9050

Lamp: LED

LED Power: 50W

Voltage: 90-260V 50/60Hz

Color Temperature

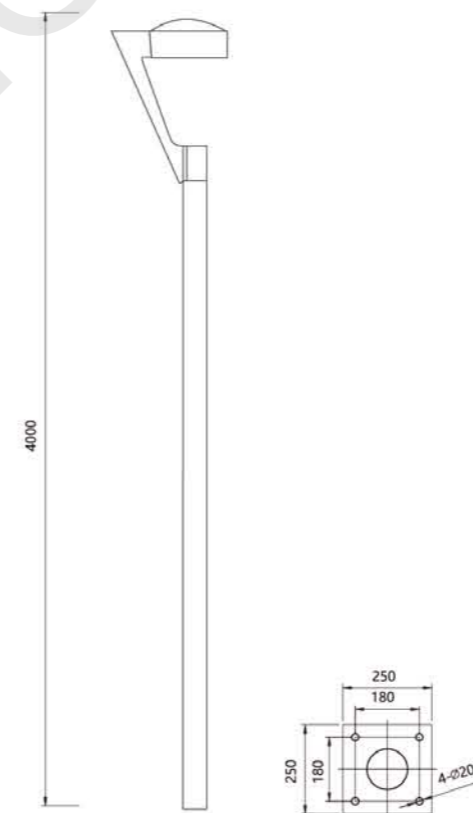
3000K

6000K



GARDEN LIGHT

- Body: Made of aluminum with treatment of anti-corrosion and UV-proof powder coating.
- Diffuser: Clear glass.
- Fastener: 304 stainless steel.



DHK-9051

Lamp: LED
LED Power: 30W
Voltage: 90-260V 50/60Hz

Color Temperature

3000K
 6000K





GARDEN LIGHT

- Body: Made of cast aluminum and iron with treatment of corrosion protection and UV-proof powder coating.
- Diffuser: Clear glass
- Fastener: 304 stainless steel.



DHK-9052

Lamp: LED
LED Power: 50W
Voltage: 90-260V 50/60Hz

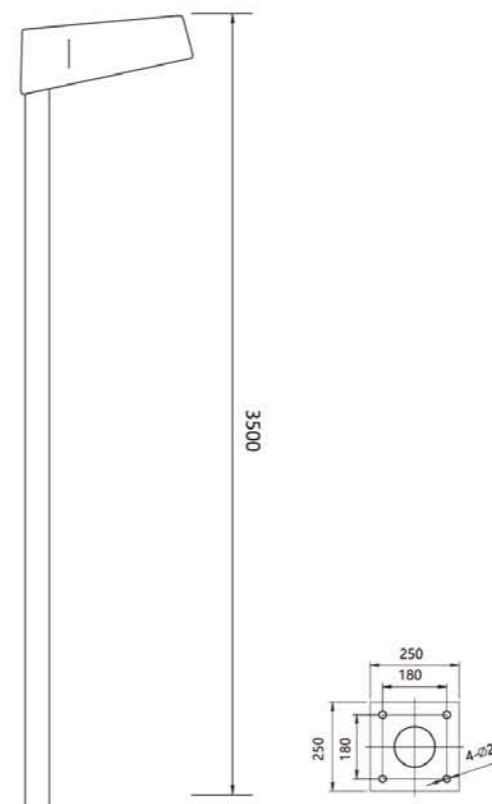
Color Temperature

- 3000K
- 6000K



GARDEN LIGHT

- Body: Made of aluminum with treatment of anti-corrosion and UV-proof powder coating.
- Diffuser: Frosted glass.
- Fastener: 304 stainless steel.



DHK-9053/DHK-9054

Lamp: LED

LED Power: 50Wx2/50Wx1

Voltage: 90-260V 50/60Hz

Color Temperature

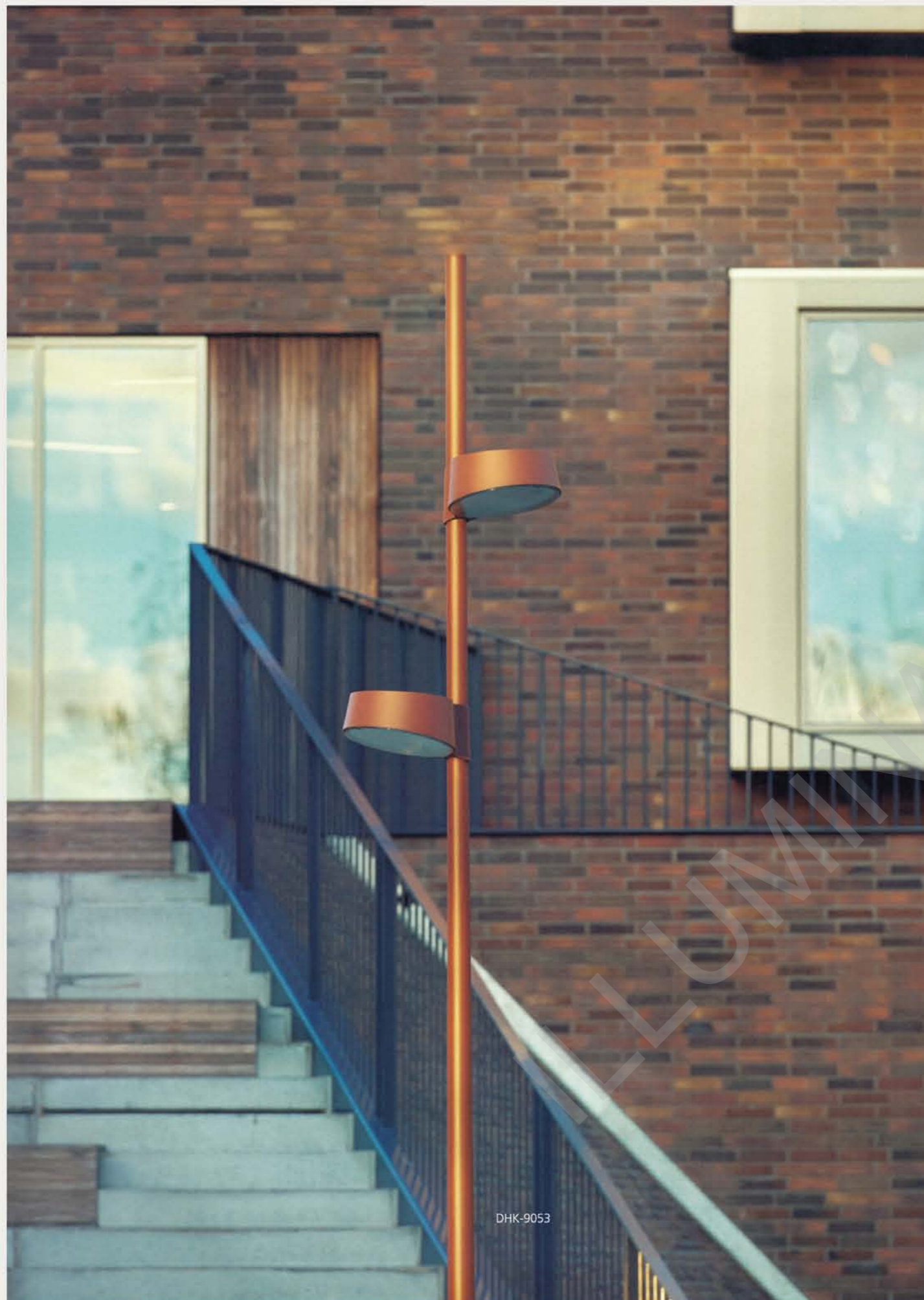
3000K

6000K



DHK-9054

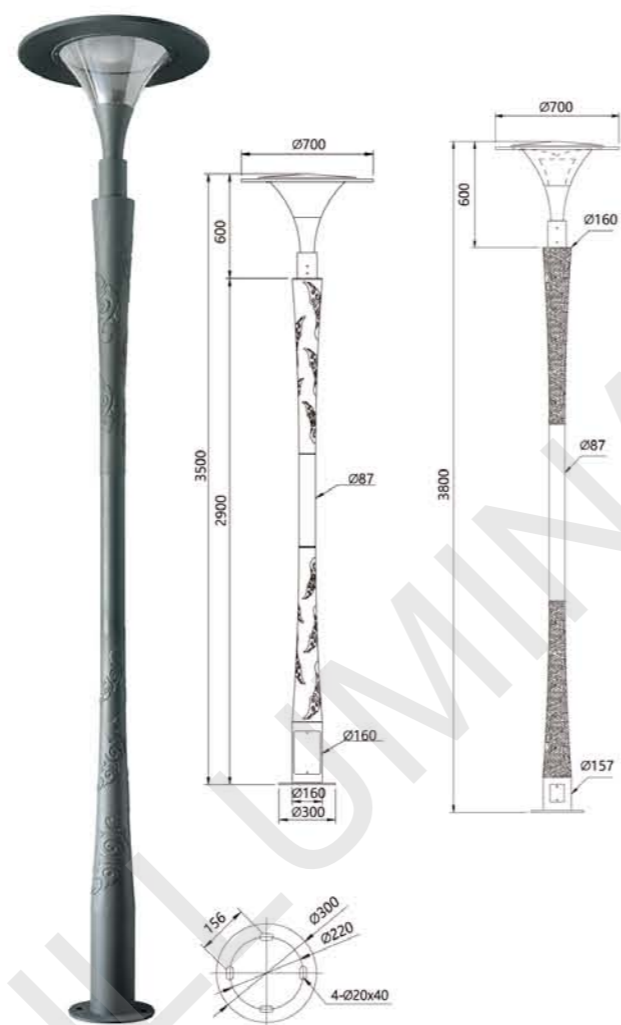
DHK-9053





GARDEN LIGHT

- Body: Made of cast aluminum with treatment of anti-corrosion and UV-proof powder coating.
- Diffuser: Clear polycarbonate.
- Fastener: 304 stainless steel.



DHK-9055

DHK-9055/DHK-9056

Lamp: LED
 LED Power: 20Wx1
 Voltage: 90-260V 50/60Hz

Color Temperature

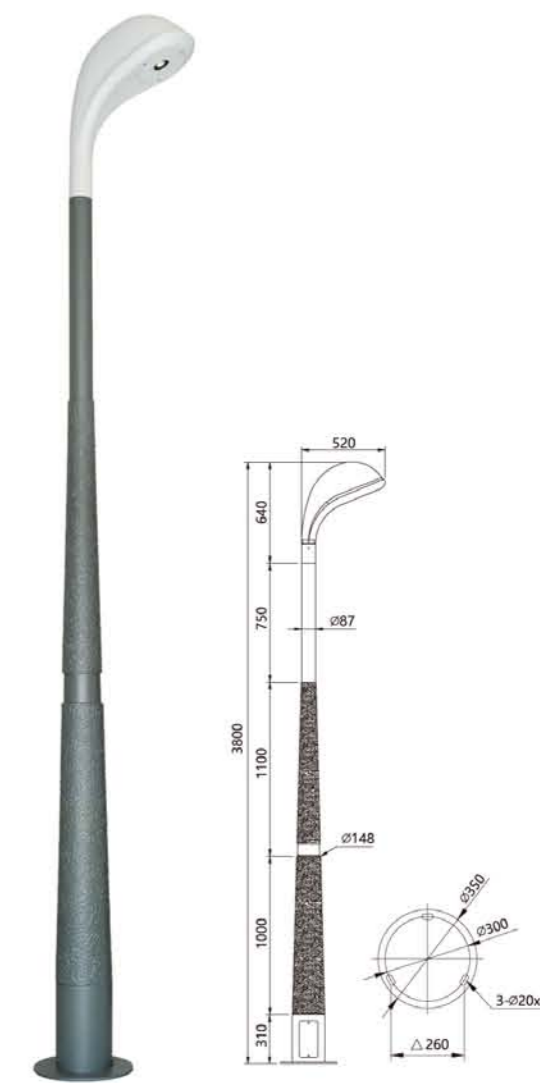
3000K

6000K



GARDEN LIGHT

- Body: Made of cast aluminum with treatment of anti-corrosion and UV-proof powder coating.
- Diffuser: Clear glass.
- Fastener: 304 stainless steel.



DHK-9057

Lamp: LED
 LED Power: 30-50Wx1
 Voltage: 90-260V 50/60Hz

Color Temperature

3000K

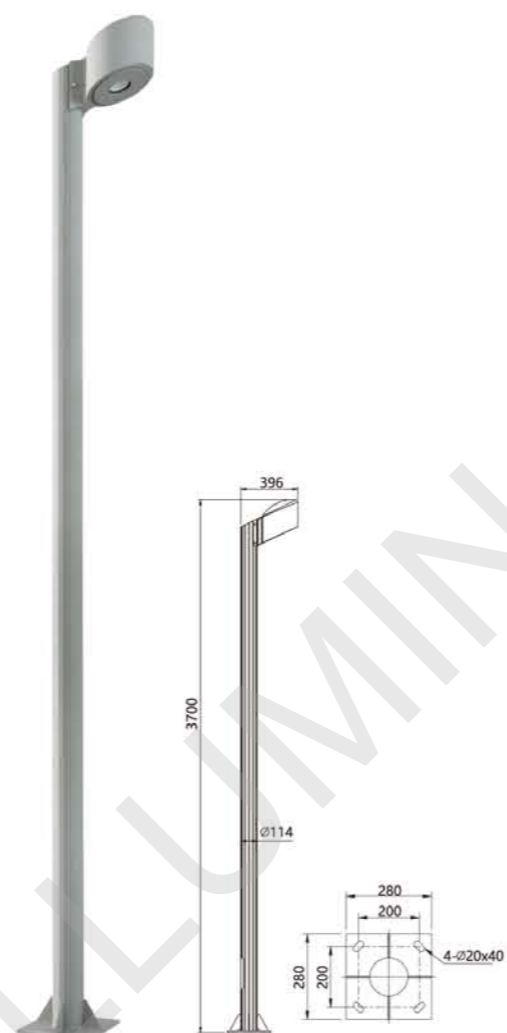
6000K



DHK-9056

GARDEN LIGHT

- Body: Made of aluminum with treatment of anti-corrosion and UV-proof powder coating.
- Diffuser: Clear glass.
- Fastener: 304 stainless steel.



DHK-9058

Lamp: LED
LED Power: 20-50Wx1
Voltage: 90-260V 50/60Hz

Color Temperature

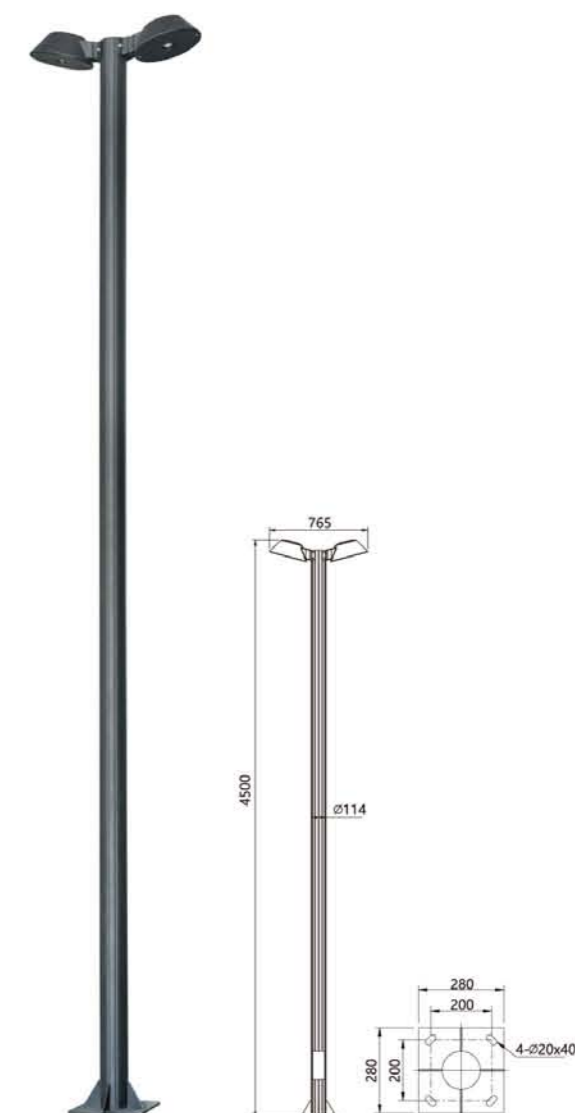
3000K

6000K



GARDEN LIGHT

- Body: Made of aluminum with treatment of anti-corrosion and UV-proof powder coating.
- Diffuser: Clear glass.
- Fastener: 304 stainless steel.



DHK-9059

Lamp: LED
LED Power: 20Wx2
Voltage: 90-260V 50/60Hz

Color Temperature

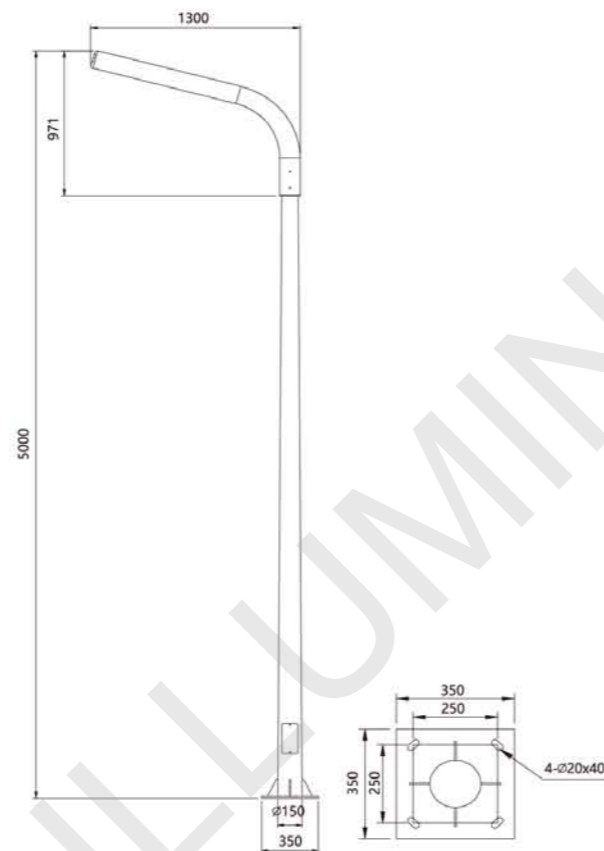
3000K

6000K



GARDEN LIGHT

- Body: Made of cast aluminum and iron with treatment of corrosion protection and UV-proof powder coating.
- Diffuser: Clear glass.
- Fastener: 304 stainless steel.



DHK-9060

Lamp: LED
 LED Power: 3x20W
 Voltage: 90-260V 50/60Hz

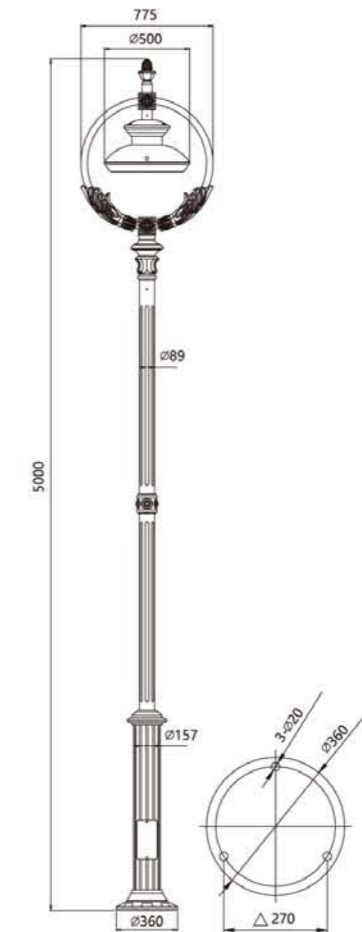
Color Temperature

- 3000K
- 6000K



GARDEN LIGHT

- Body: Made of cast aluminum and iron with treatment of corrosion protection and UV-proof powder coating.
- Diffuser: Clear glass.
- Fastener: 304 stainless steel.



DHK-9061

Lamp: LED
 LED Power: 50W
 Voltage: 90-260V 50/60Hz

Color Temperature

- 3000K
- 6000K





GARDEN LIGHT

- Body: Made of aluminum with treatment of anti-corrosion and UV-proof powder coating.
- Diffuser: PC.
- Fastener: 304 stainless steel.



DHK-9062

Lamp: LED
LED Power: 75W
Voltage: 90-260V 50/60Hz

Color Temperature

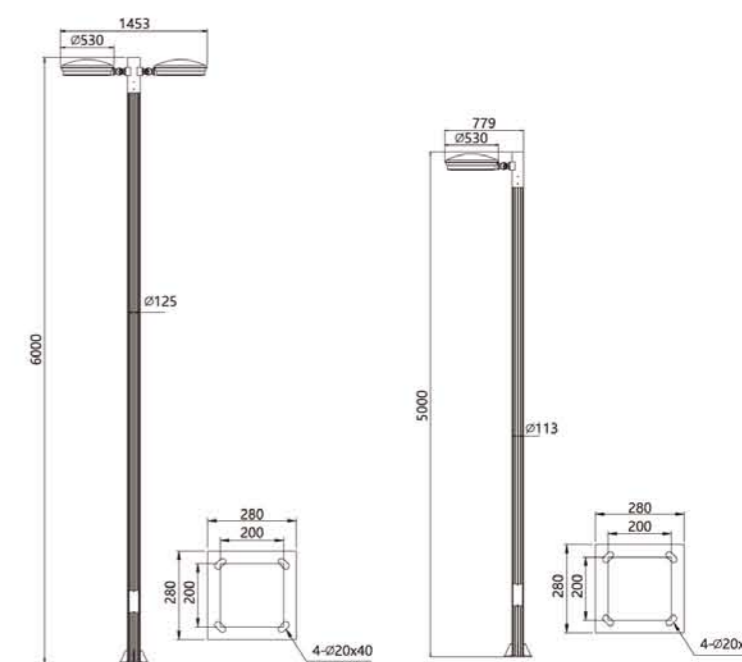
3000K

6000K



GARDEN LIGHT

- Body: Made of aluminum with treatment of anti-corrosion and UV-proof powder coating.
- Diffuser: PC.
- Fastener: 304 stainless steel.



DHK-9063

Lamp: LED
LED Power: 100Wx2
Voltage: 90-260V 50/60Hz

Color Temperature

3000K

6000K

DHK-9064

Lamp: LED
LED Power: 100Wx1
Voltage: 90-260V 50/60Hz

Color Temperature

3000K

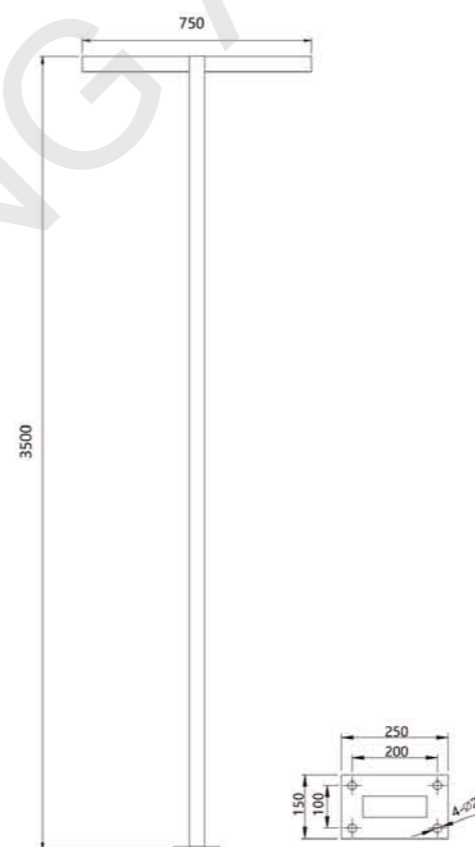
6000K





GARDEN LIGHT

- Body: Made of extruded aluminum with treatment of corrosion protection and UV-proof powder coating.
- Diffuser: PC.
- Fastener: 304 stainless steel.



DHK-9065

Lamp: LED
LED Power: 30Wx2
Voltage: 90-260V 50/60Hz

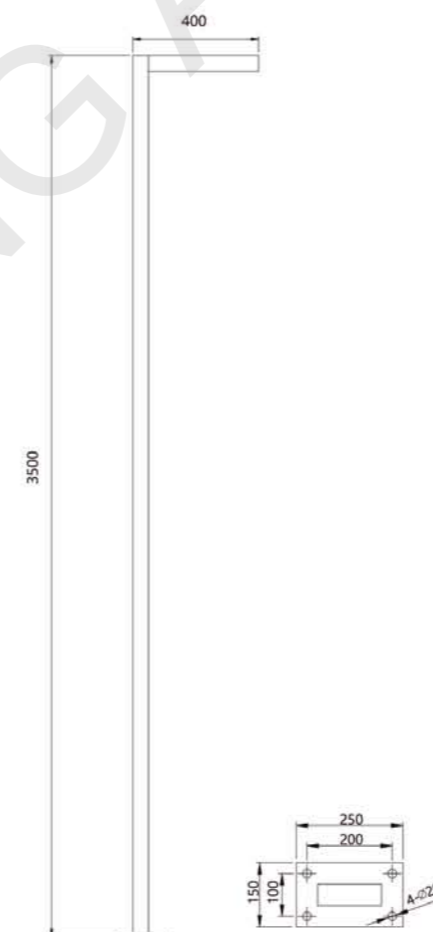
Color Temperature

3000K
 6000K



GARDEN LIGHT

- Body: Made of extruded aluminum with treatment of corrosion protection and UV-proof powder coating.
- Diffuser: PC.
- Fastener: 304 stainless steel.

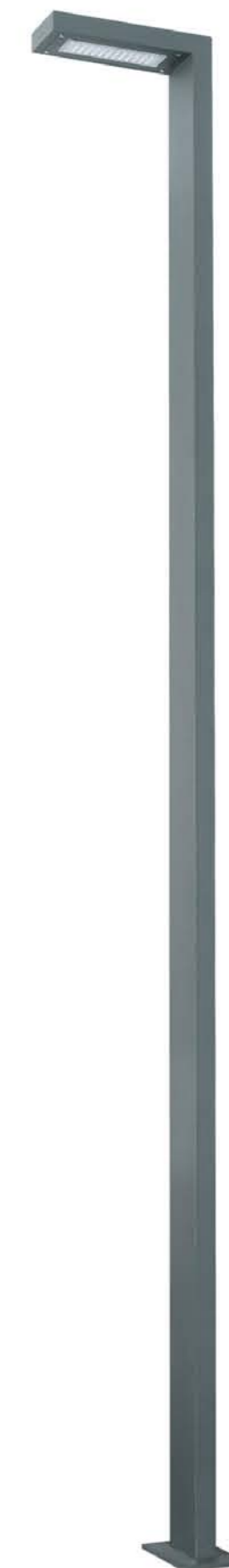


DHK-9066

Lamp: LED
LED Power: 30W
Voltage: 90-260V 50/60Hz

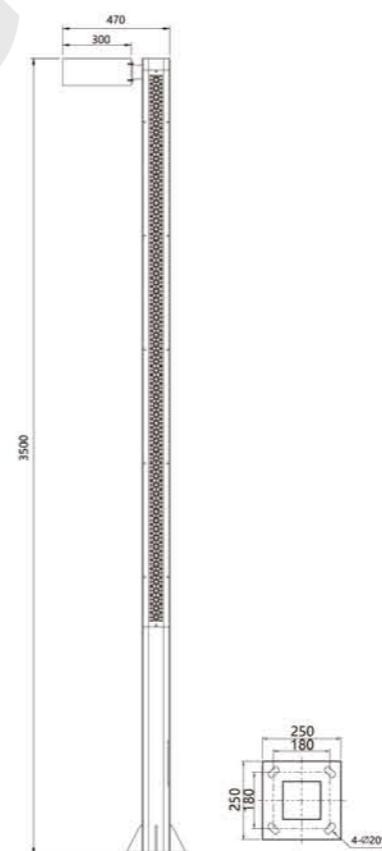
Color Temperature

3000K
 6000K



GARDEN LIGHT

- Body: Made of stainless steel with treatment of corrosion protection and UV-proof powder coating.
- Diffuser: PMMA.
- Fastener: 304 stainless steel.



DHK-9067

Lamp: LED
LED Power: 30W+36W
Voltage: 90-260V 50/60Hz

Color Temperature

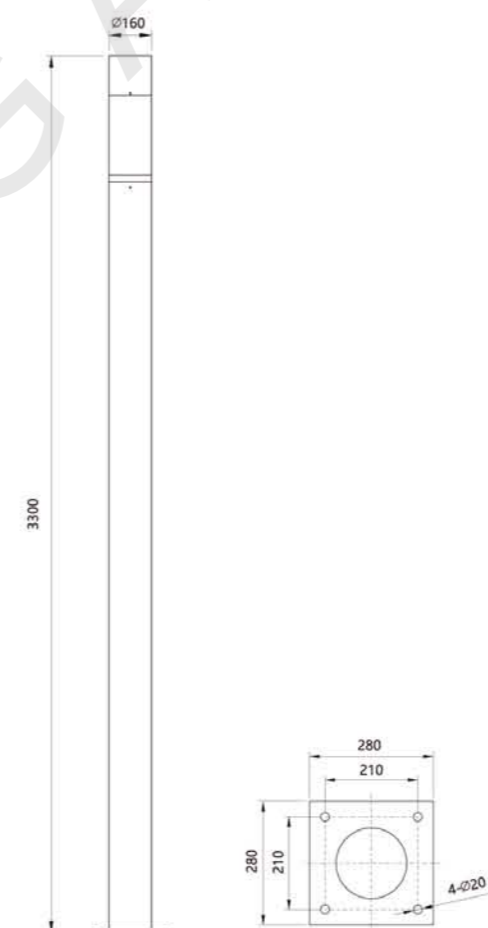
- 3000K
 6000K





GARDEN LIGHT

- Body: Made of extruded aluminum with treatment of corrosion protection and UV-proof powder coating.
- Diffuser: PMMA.
- Fastener: 304 stainless steel.



DHK-9068

Lamp: LED
LED Power: 30W LED
Voltage: 90-260V 50/60Hz

Color Temperature

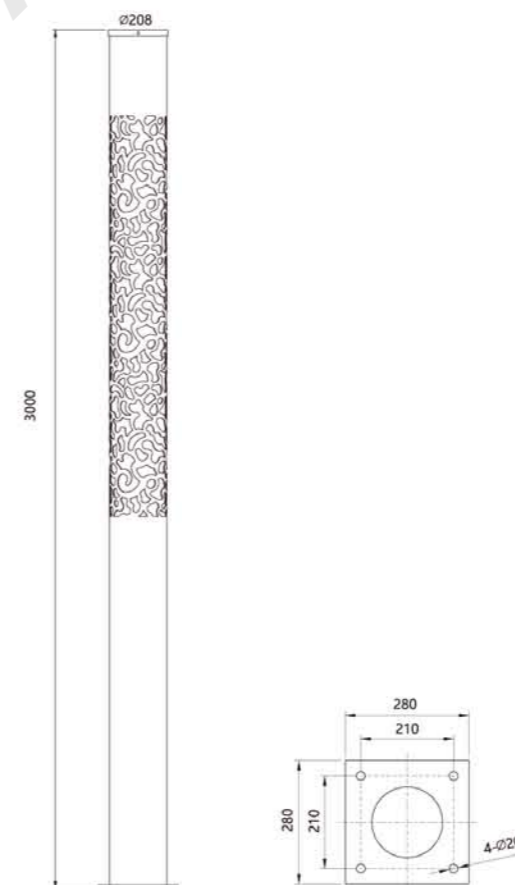
3000K
6000K





GARDEN LIGHT

- Body: Made of extruded aluminum with treatment of corrosion protection and UV-proof powder coating.
- Diffuser: PMMA.
- Fastener: 304 stainless steel.



DHK-9069

Lamp: LED
LED Power: 60W
Voltage: 90-260V 50/60Hz

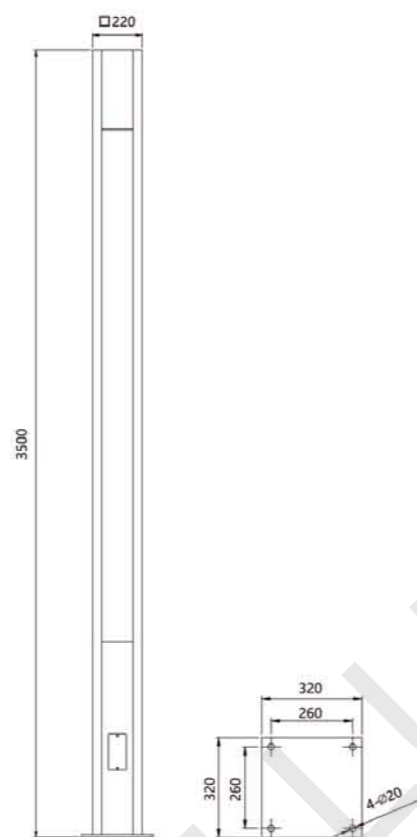
Color Temperature

3000K
 6000K



GARDEN LIGHT

- Body: Made of extruded aluminum with treatment of corrosion protection and UV-proof powder coating.
- Diffuser: Clear glass.
- Fastener: 304 stainless steel.



DHK-9070

Lamp: LED
LED Power: 20W-50W
Voltage: 90-260V 50/60Hz

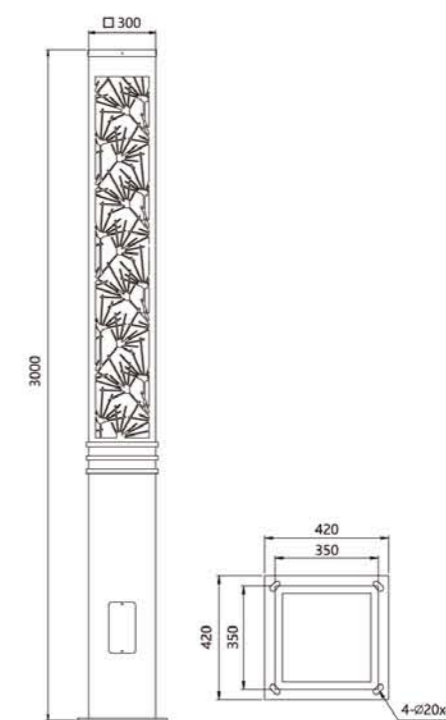
Color Temperature

- 3000K
 6000K



GARDEN LIGHT

- Body: Made of stainless steel with treatment of corrosion protection and UV-proof powder coating.
- Diffuser: PMMA.
- Fastener: 304 stainless steel.



DHK-9071

Lamp: LED
LED Power: 48W
Voltage: 90-260V 50/60Hz

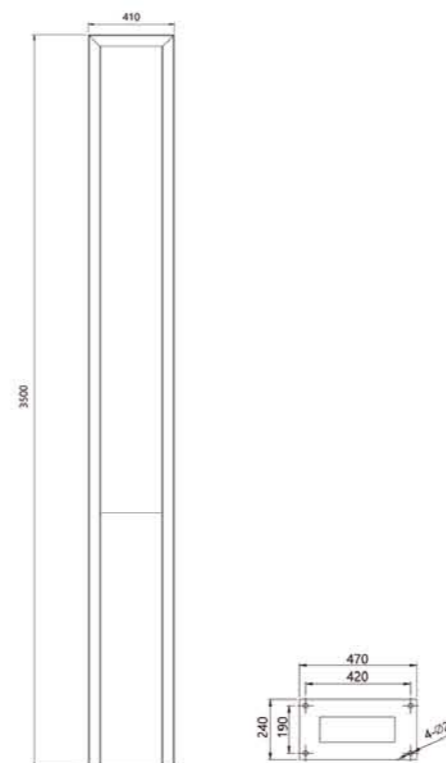
Color Temperature

- 3000K
 6000K



GARDEN LIGHT

- Body: Made of extruded aluminum with treatment of corrosion protection and UV-proof powder coating.
- Diffuser: PC.
- Fastener: 304 stainless steel.

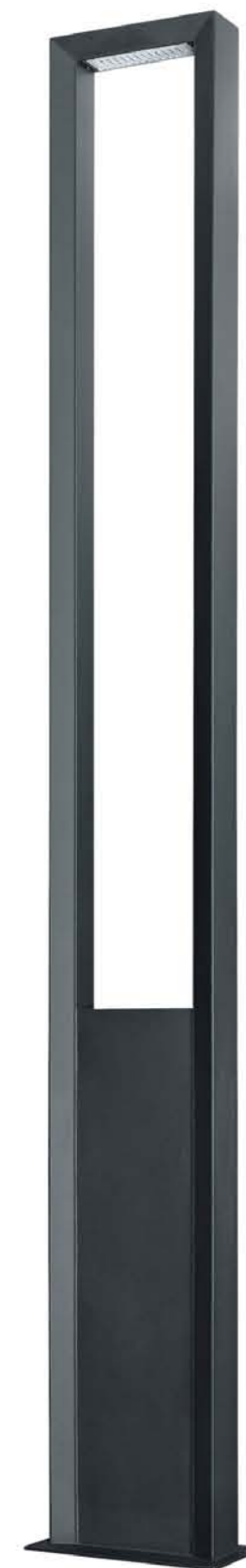


DHK-9072

Lamp: LED
LED Power: 36W
Voltage: 90-260V 50/60Hz

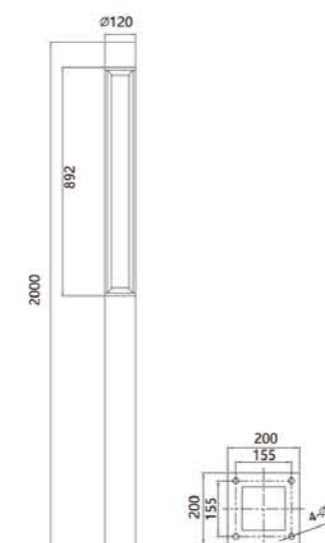
Color Temperature

- 3000K
 6000K



GARDEN LIGHT

- Body: Made of extruded aluminum with treatment of corrosion protection and UV-proof powder coating.
- Diffuser: Clear glass.
- Fastener: 304 stainless steel.

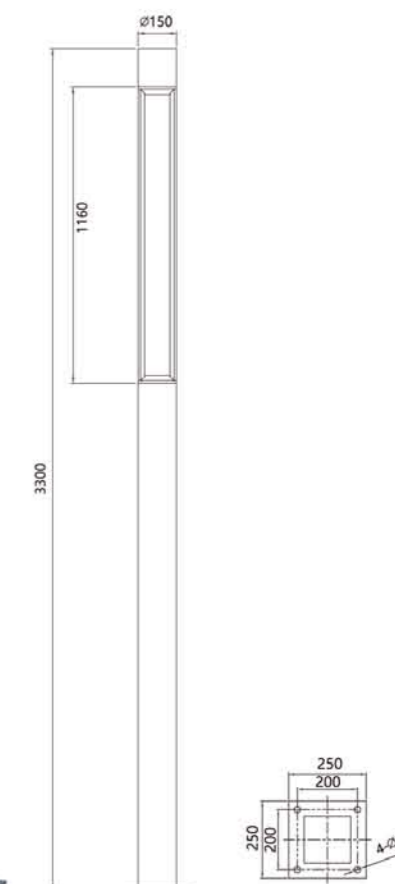


DHK-9073

Lamp: LED
LED Power: 20W
Voltage: 90-260V 50/60Hz

Color Temperature

- 3000K
 6000K

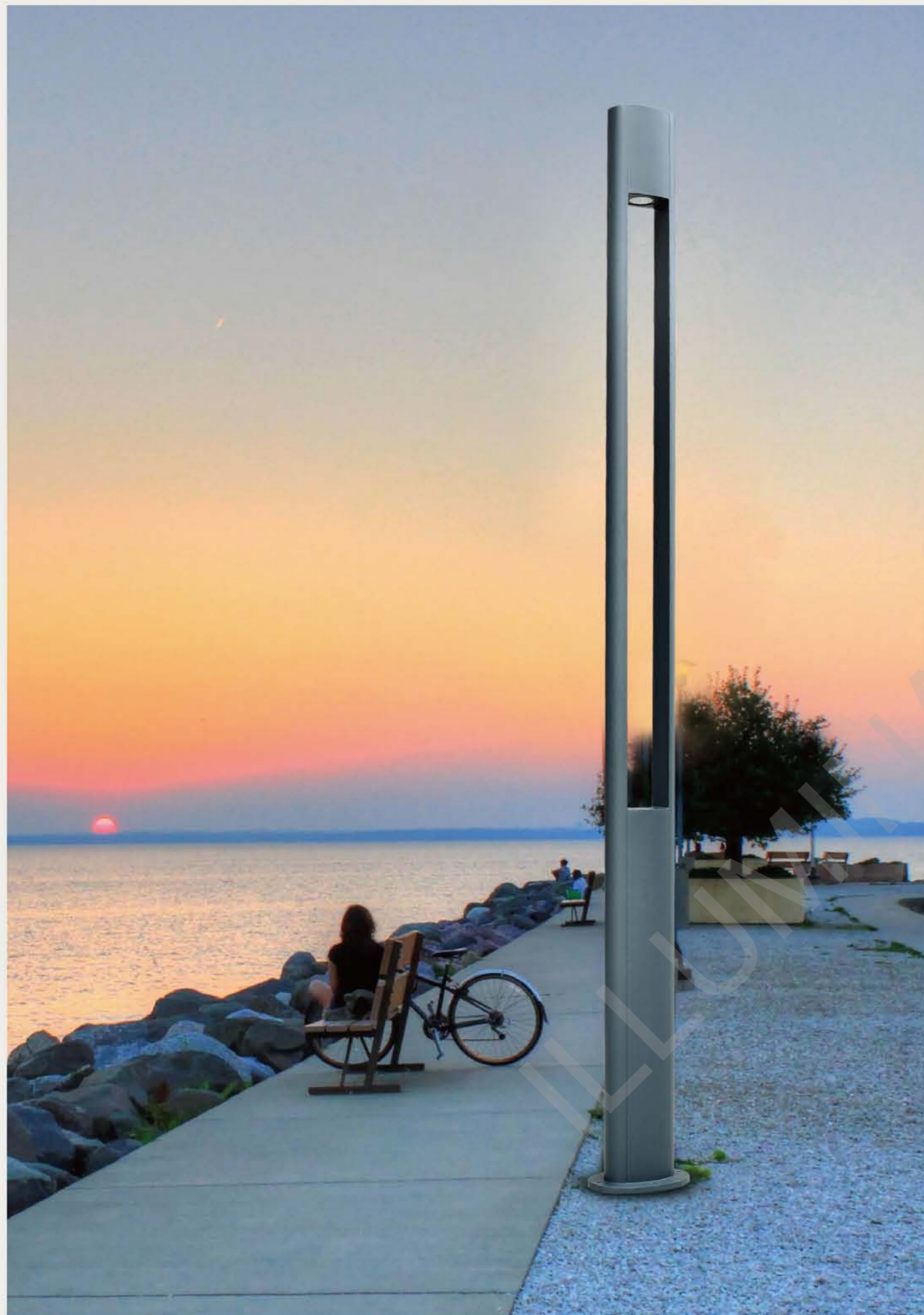


DHK-9074

Lamp: LED
LED Power: 30W
Voltage: 90-260V 50/60Hz

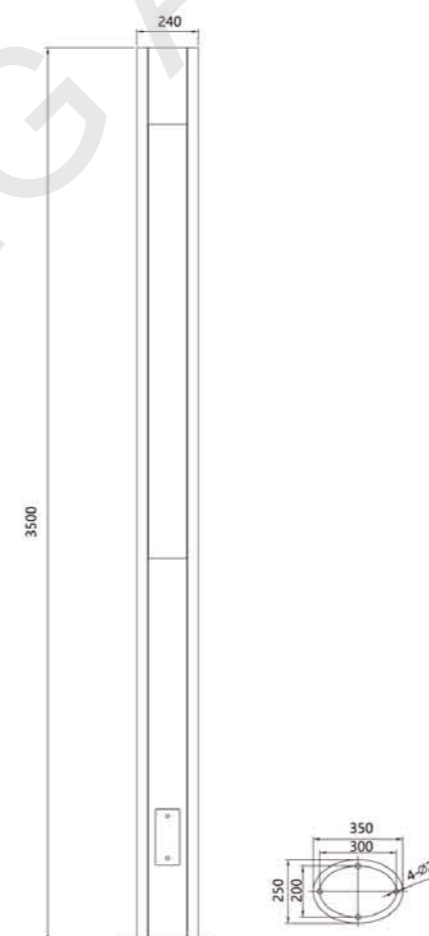
Color Temperature

- 3000K
 6000K



GARDEN LIGHT

- Body: Made of extruded aluminum with treatment of corrosion protection and UV-proof powder coating.
- Diffuser: Clear glass.
- Fastener: 304 stainless steel.



DHK-9075

Lamp: LED
LED Power: 40W
Voltage: 90-260V 50/60Hz

Color Temperature

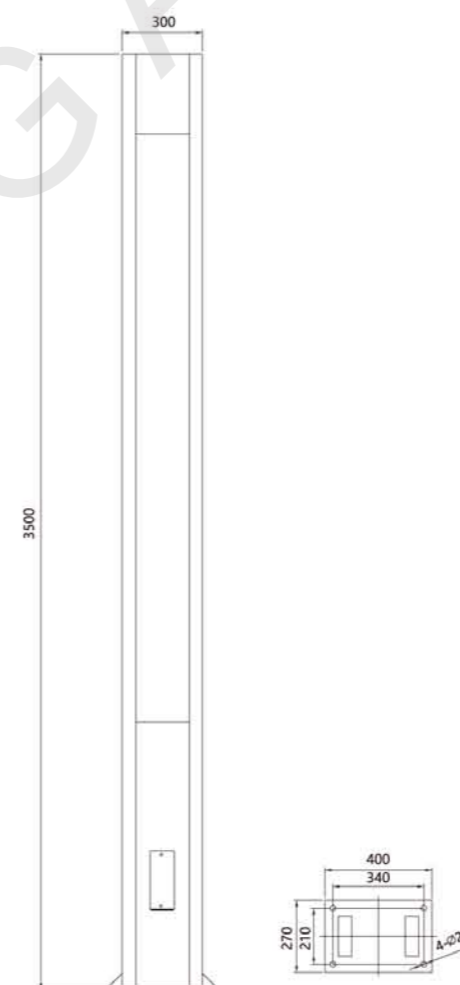
- 3000K
 6000K





GARDEN LIGHT

- Body: Made of extruded aluminum with treatment of corrosion protection and UV-proof powder coating.
- Diffuser: Clear glass.
- Fastener: 304 stainless steel.

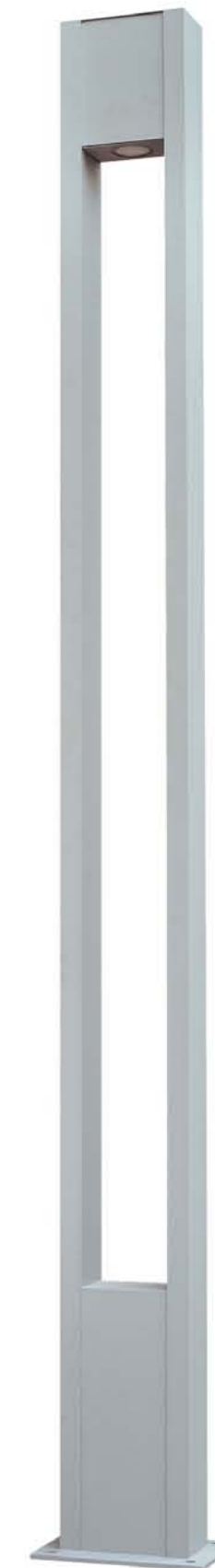


DHK-9076

Lamp: LED
LED Power: 40W
Voltage: 90-260V 50/60Hz

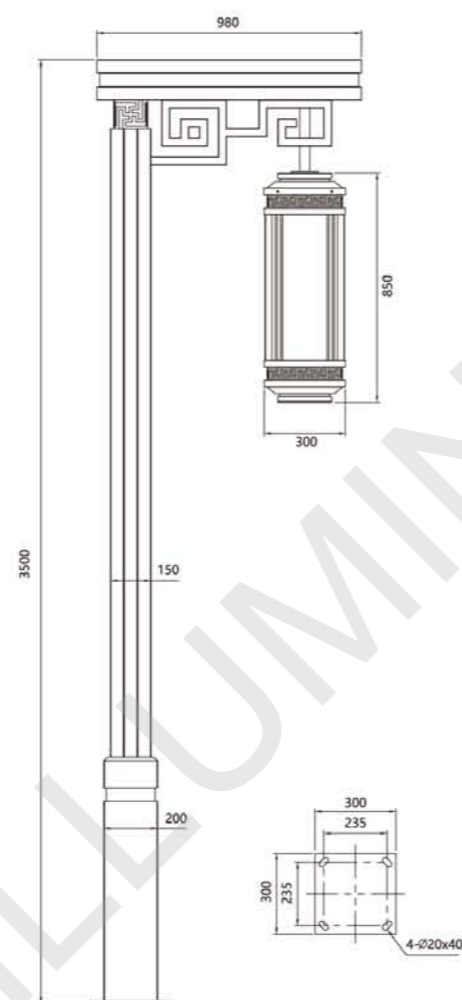
Color Temperature

3000K
 6000K



GARDEN LIGHT

- Body: Made of stainless steel with treatment of corrosion protection and UV-proof powder coating.
- Diffuser: Artificial marble.
- Fastener: 304 stainless steel.



DHK-9077

Lamp: LED
LED Power: 30W
Voltage: 90-260V 50/60Hz

Color Temperature

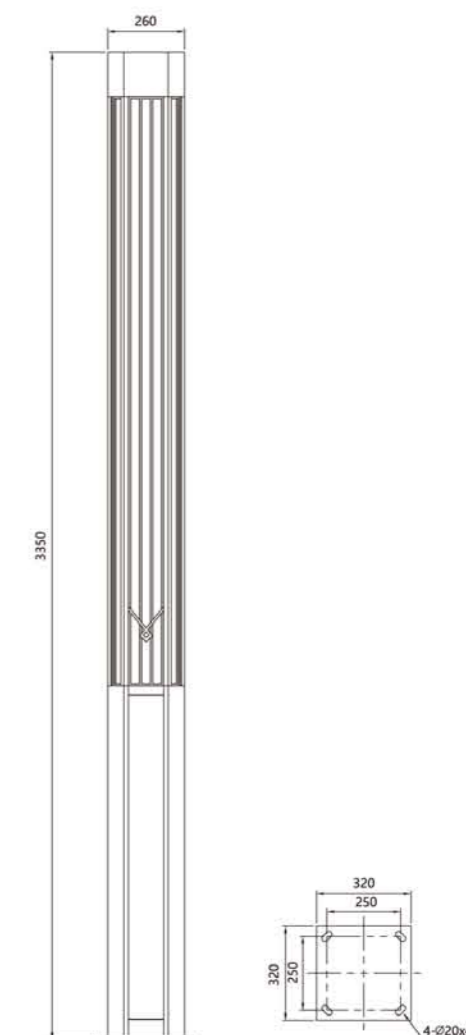
3000K

6000K



GARDEN LIGHT

- Body: Made of stainless steel with treatment of corrosion protection and UV-proof powder coating.
- Diffuser: Artificial marble.
- Fastener: 304 stainless steel.



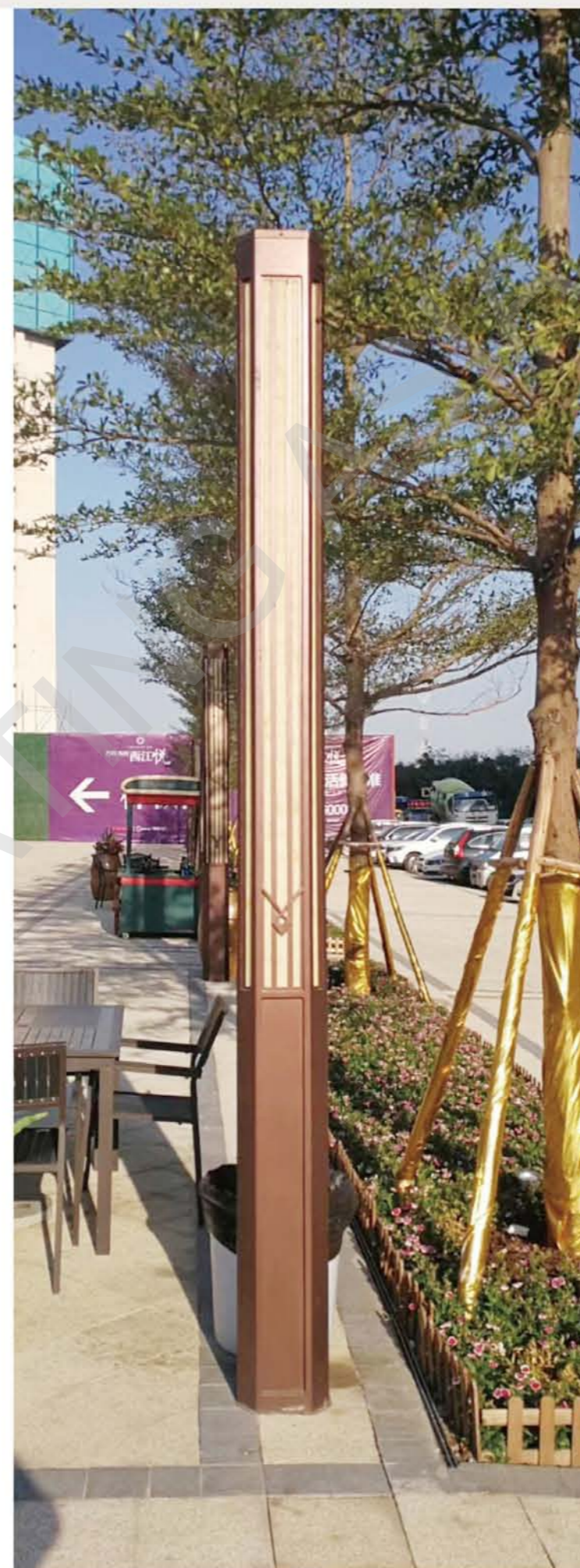
DHK-9078

Lamp: LED
LED Power: 80W
Voltage: 90-260V 50/60Hz

Color Temperature

3000K

6000K



LAWN LIGHT SERIES





DHB-1102/DHB-1103

- Body: Made of aluminum with treatment of corrosion protection and UV-proof powder coating.
- Diffuser: PC
- Gasketing: Made of termostable silica gel to impromtection cass.
- Fastener: 304 stainless steel.

- Sand Black
- Dark Grey
- Sand Silver
- Gray Metal Sand Grain

Model NO.	Lamp	Power	Voltage	Color Temperature
DHB-1102	LED	9W	90-260V 50/60Hz	<input checked="" type="checkbox"/> 3000K <input type="checkbox"/> 6000K
DHB-1103	LED	9W		

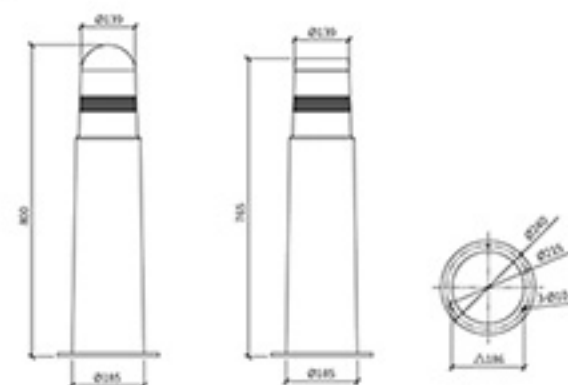


DHB-1102



DHB-1103

Dimensions





DHB-1104/DHB-1105

- Body: Made of stainless steel with treatment of corrosion protection and UV-proof powder coating.
- Diffuser: Clear glass
- Gasketing: Made of termostable silica gel to impromtection cass.
- Fastener: 304 stainless steel.

	Sand Black
	Dark Grey
	Sand Silver
	Gray Metal Sand Grain

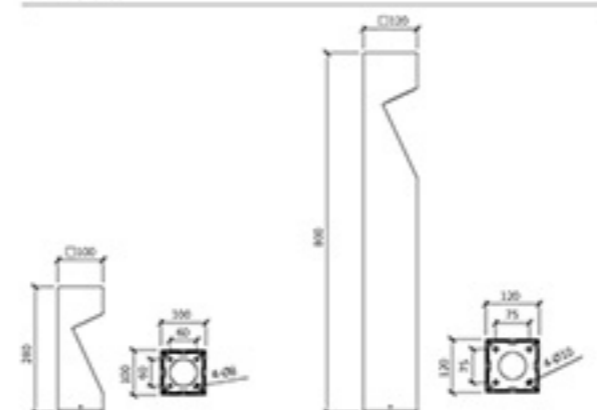
Model NO.	Lamp	Power	Voltage	Color Temperature
DHB-1104	LED	5W	90-260V 50/60Hz	<input type="checkbox"/> 3000K <input type="checkbox"/> 6000K
DHB-1105	LED	10W		



DHB-1104

DHB-1105

Dimensions



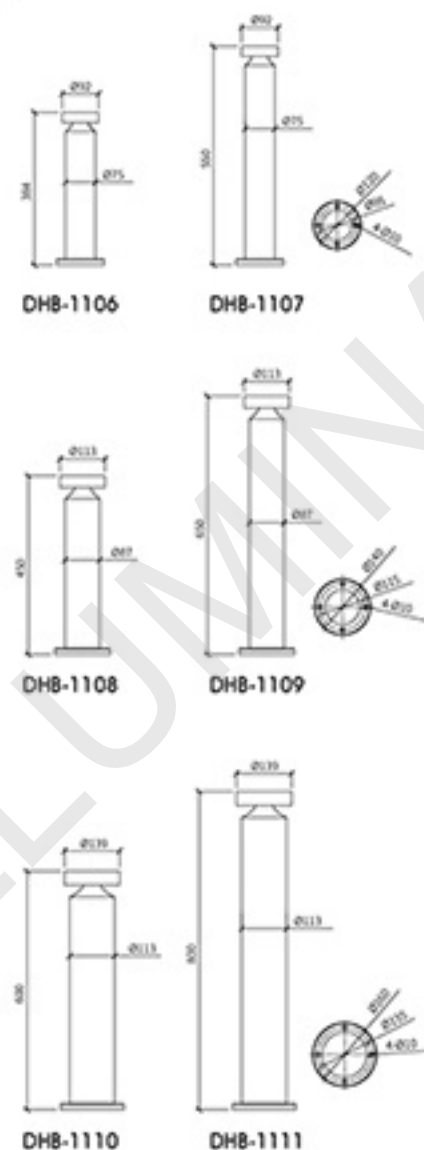


DHB-1106/DHB-1107/DHB-1108 DHB-1109/DHB-1110/DHB-1111

- Body: Made of aluminum with treatment of corrosion protection and UV-proof powder coating.
- Diffuser: PC
- Gasketing: Made of thermostable silica gel to impregnation cass.
- Fastener: 304 stainless steel.

- Sand Black
- Dark Grey
- Sand Silver
- Gray Metal Sand Grain

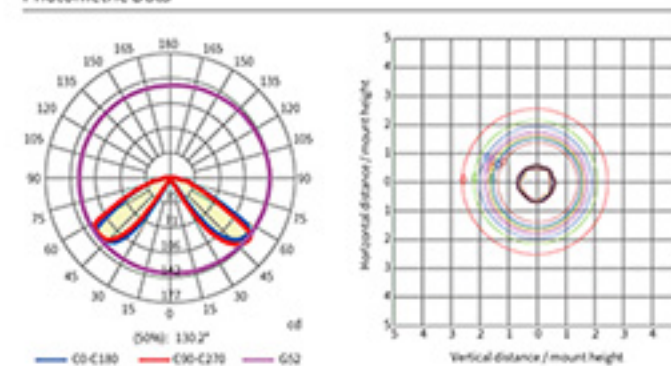
Dimensions R寸



Model NO.	Lamp	Power	Voltage	Color Temperature
DHB-1106	LED	4W	90-260V 50/60Hz	3000K 6000K
DHB-1107	LED	4W		
DHB-1108	LED	9W		
DHB-1109	LED	9W		
DHB-1110	LED	9W		
DHB-1111	LED	9W		



Photometric Data





DHB-1112/DHB-1113/DHB-1114

- Body: Made of aluminum with treatment of corrosion protection and UV-proof powder coating.
- Diffuser: PC
- Gasketing: Made of termostable silica gel to impregnation cass.
- Fastener: 304 stainless steel.

	Sand Black
	Dark Grey
	Sand Silver
	Gray Metal Sand Grain

Model NO.	Lamp	Power	Voltage	Color Temperature
DHB-1112	LED	5W-15W	90-260V 50/60Hz	<input type="checkbox"/> 3000K <input type="checkbox"/> 6000K
DHB-1113	LED	15W		
DHB-1114	LED	15W		



DHB-1112

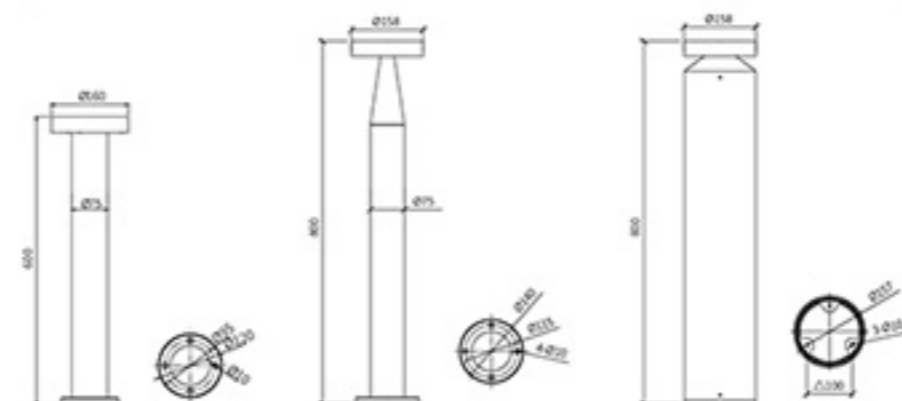


DHB-1113



DHB-1114

Dimensions





DHB-1115

DHB-1115/DHB-1116/DHB-1117

- Body: Made of aluminum with treatment of corrosion protection and UV-proof powder coating.
- Diffuser: PC
- Gasketing: Made of termostable silica gel to impromtection cass.
- Fastener: 304 stainless steel.

- Sand Black
- Dark Grey
- Sand Silver
- Gray Metal Sand Grain

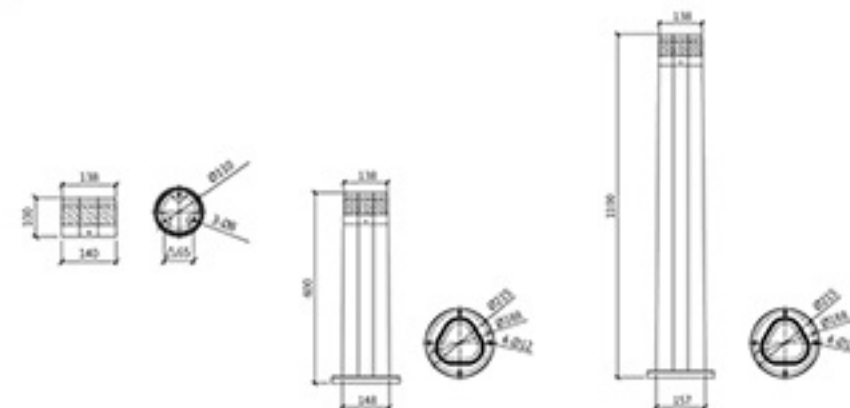
Model NO.	Lamp	Power	Voltage	Color Temperature
DHB-1115	LED	12W	90-260V 50/60Hz	<input type="checkbox"/> 3000K <input type="checkbox"/> 6000K
DHB-1116	LED	15W		
DHB-1117	LED	15W		



DHB-1116

DHB-1117

Dimensions





DHB-1118/DHB-1119

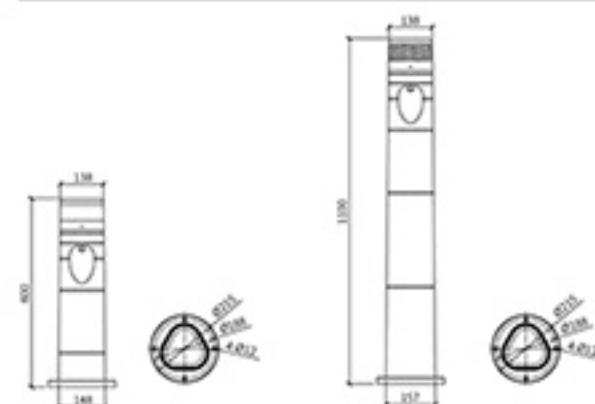
- Body: Made of aluminum with treatment of corrosion protection and UV-proof powder coating.
- Diffuser: PC
- Gasketing: Made of thermostable silica gel to impromtection cass.
- Fastener: 304 stainless steel.

- Sand Black
- Dark Grey
- Sand Silver
- Gray Metal Sand Grain

Model NO.	Lamp	Power	Voltage	Color Temperature
DHB-1118	LED	15W+1W	90-260V 50/60Hz	<input type="checkbox"/> 3000K <input type="checkbox"/> 6000K
DHB-1119	LED	15W+1W		



Dimensions





DHB-1120/DHB-1121

- Body: Made of aluminum with treatment of corrosion protection and UV-proof powder coating.
- Diffuser: PMMA
- Gasketing: Made of termostable silica gel to impromtection cass.
- Fastener: 304 stainless steel.

- Sand Black
- Dark Grey
- Sand Silver
- Gray Metal Sand Grain

Model NO.	Lamp	Power	Voltage	Color Temperature
DHB-1120	LED	15W	90-260V 50/60Hz	<input type="checkbox"/> 3000K <input type="checkbox"/> 6000K
DHB-1121	LED	15W		

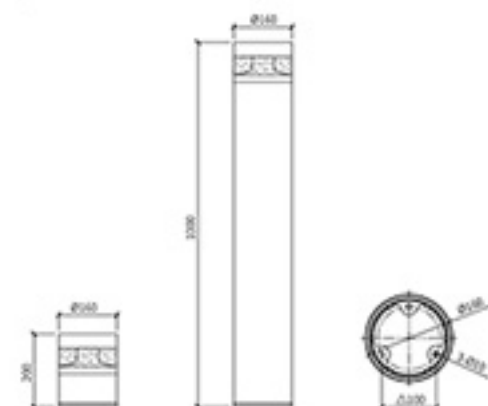


DHB-1120

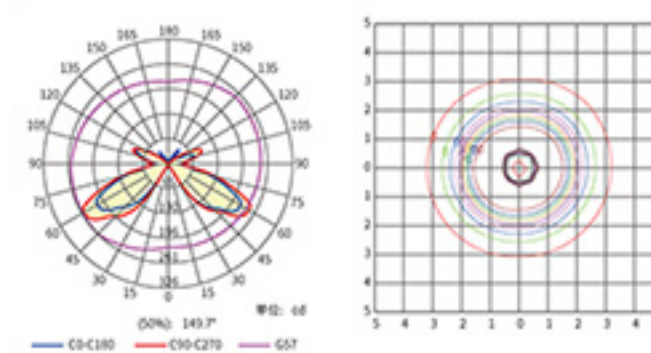


DHB-1121

Dimensions



Photometric Data





DHB-1122



DHB-1122/DHB-1123/DHB-1124

- Body: Made of aluminum with treatment of corrosion protection and UV-proof powder coating.
- Diffuser: PMMA
- Gasketing: Made of thermostable silica gel to impromtection cass.
- Fastener: 304 stainless steel.

- Sand Black
- Dark Grey
- Sand Silver
- Gray Metal Sand Grain

Model NO.	Lamp	Power	Voltage	Color Temperature
DHB-1122	LED	10W	90-260V 50/60Hz	3000K 6000K
DHB-1123	LED	10W		
DHB-1124	LED	10W		

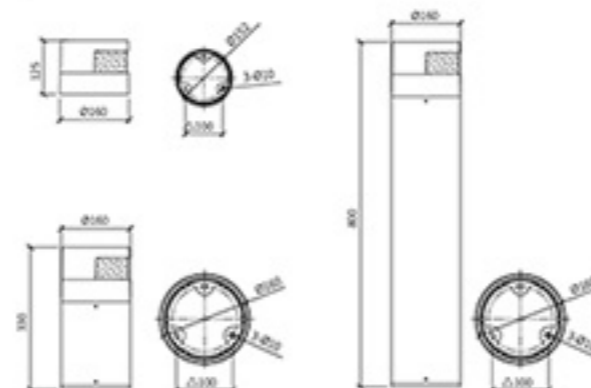


DHB-1123

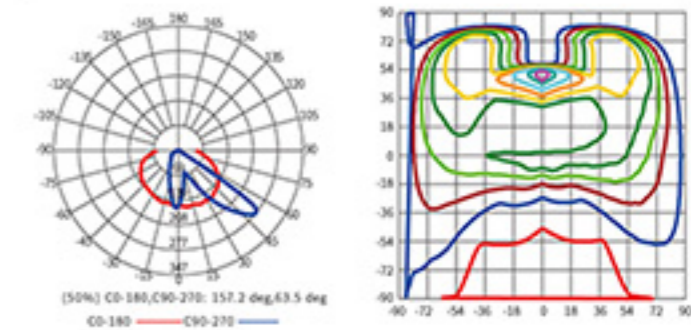


DHB-1124

Dimensions



Photometric Data





DHB-1125



DHB-1125/DHB-1126/DHB-1127

- Body: Made of aluminum with treatment of corrosion protection and UV-proof powder coating.
- Diffuser: PMMA
- Gasketing: Made of termostable silica gel to improtection cass.
- Fastener: 304 stainless steel.

- Sand Black
- Dark Grey
- Sand Silver
- Gray Metal Sand Grain

Model NO.	Lamp	Power	Voltage	Color Temperature
DHB-1125	LED	12W	90-260V 50/60Hz	<input checked="" type="checkbox"/> 3000K <input type="checkbox"/> 6000K
DHB-1126	LED	12W		
DHB-1127	LED	12W		

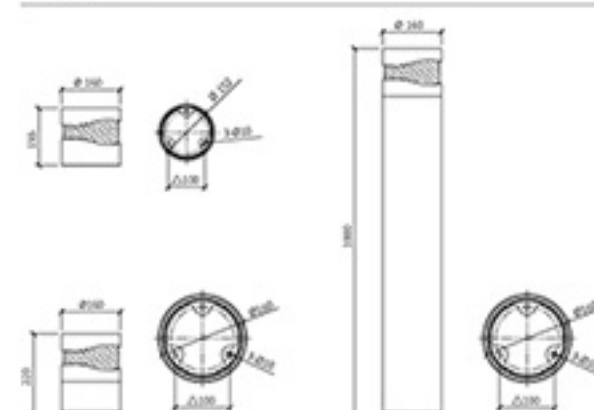


DHB-1126



DHB-1127

Dimensions





DHB-1128



DHB-1128/DHB-1129

- Body: Made of aluminum with treatment of corrosion protection and UV-proof powder coating.
- Diffuser: PMMA
- Gasketing: Made of thermostable silica gel to impromtection cass.
- Fastener: 304 stainless steel.

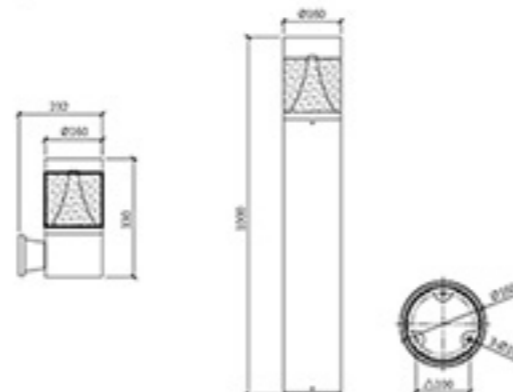
- Sand Black
- Dark Grey
- Sand Silver
- Gray Metal Sand Grain

Model NO.	Lamp	Power	Voltage	Color Temperature
DHB-1128	LED	10W	90-260V 50/60Hz	3000K 6000K
DHB-1129	LED	12W		

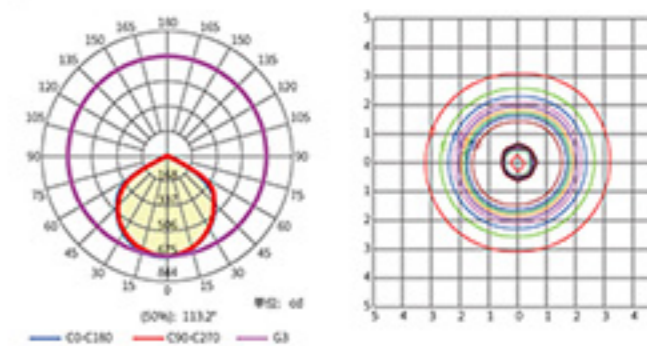


DHB-1129

Dimensions



Photometric Data





DHB-1130/DHB-1131

- Body: Made of aluminum with treatment of corrosion protection and UV-proof powder coating.
- Diffuser: Clear glass
- Gasketing: Made of termostable silica gel to impromtection cass.
- Fastener: 304 stainless steel.

- Sand Black
- Dark Grey
- Sand Silver
- Gray Metal Sand Grain

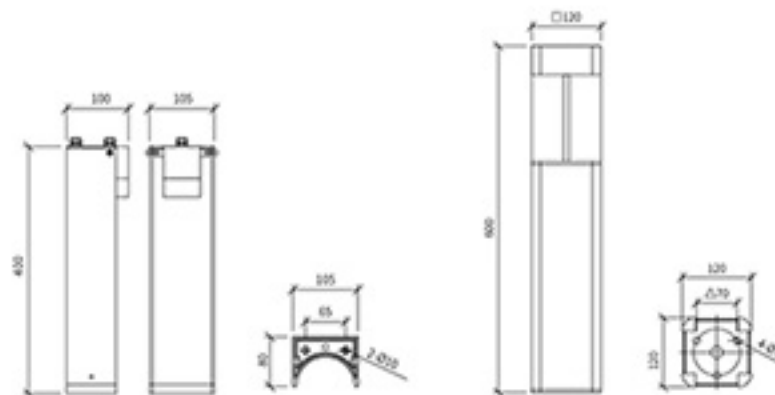
Model NO.	Lamp	Power	Voltage	Color Temperature
DHB-1130	LED	5W	90-260V 50/60Hz	<input type="checkbox"/> 3000K <input type="checkbox"/> 6000K
DHB-1131	LED	7W		



DHB-1130

DHB-1131

Dimensions





DHB-1132/DHB-1133

- Body: Made of aluminum with treatment of corrosion protection and UV-proof powder coating.
- Diffuser: Clear glass
- Gasketing: Made of termostable silica gel to impromtection cass.
- Fastener: 304 stainless steel.

	Sand Black
	Dark Grey
	Sand Silver
	Gray Metal Sand Grain

Model NO.	Lamp	Power	Voltage	Color Temperature
DHB-1132	LED	10W	90-260V 50/60Hz	<input checked="" type="checkbox"/> 3000K <input type="checkbox"/> 6000K
DHB-1133	LED	10W		

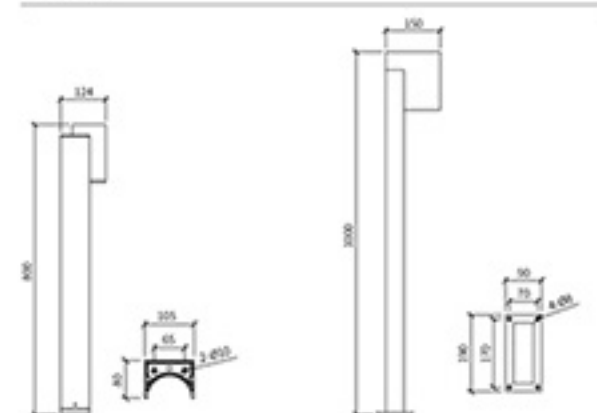


DHB-1132



DHB-1133

Dimensions





DHB-1134/DHB-1135

- Body: Made of aluminum with treatment of corrosion protection and UV-proof powder coating.
- Diffuser: PMMA
- Gasketing: Made of thermostable silica gel to impregnation cass.
- Fastener: 304 stainless steel.

- Sand Black
- Dark Grey
- Sand Silver
- Gray Metal Sand Grain

Model NO.	Lamp	Power	Voltage	Color Temperature
DHB-1134	LED	10W	90-260V 50/60Hz	<input checked="" type="checkbox"/> 3000K <input type="checkbox"/> 6000K
DHB-1135	LED	20W		

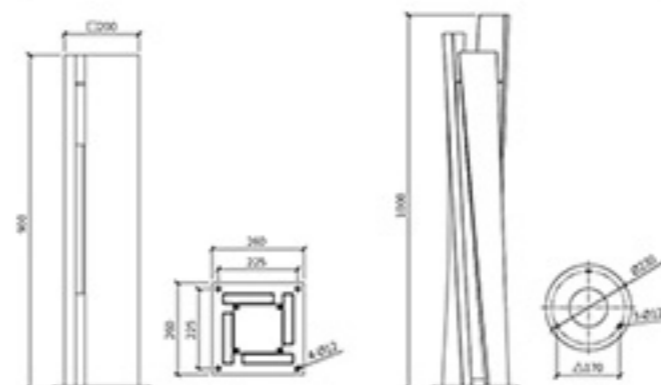


DHB-1134



DHB-1135

Dimensions





DHB-1136/DHB-1137

- Body: Made of stainless steel with treatment of corrosion protection and UV-proof powder coating.
- Diffuser: Glass
- Gasketing: Made of thermostable silica gel to impregnation cass.
- Fastener: 304 stainless steel.

- Sand Black
- Dark Grey
- Sand Silver
- Gray Metal Sand Grain

Model NO.	Lamp	Power	Voltage	Color Temperature
DHB-1136	LED	7W	90-260V 50/60Hz	3000K 6000K
DHB-1137	LED	10W		

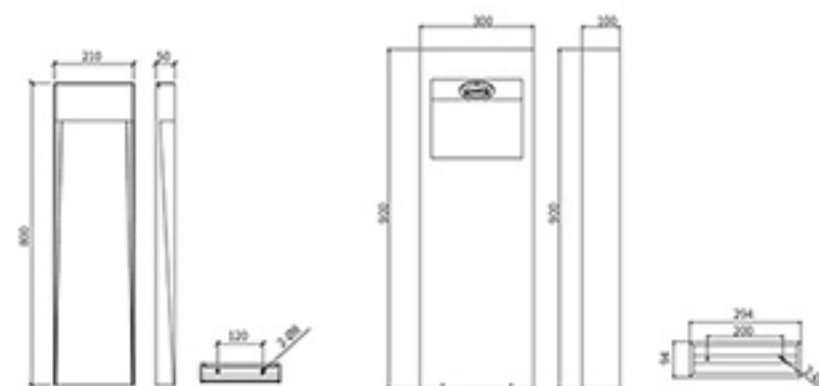


DHB-1137



DHB-1136

Dimensions





DHB-1138/DHB-1139/DHB-1140

- Body: Made of aluminum with treatment of corrosion protection and UV-proof powder coating.
- Diffuser: PC
- Gasketing: Made of thermostable silica gel to impregnation cass.
- Fastener: 304 stainless steel.

- Sand Black
- Dark Grey
- Sand Silver
- Gray Metal Sand Grain

Model NO.	Lamp	Power	Voltage	Color Temperature
DHB-1138	LED	5W	90-260V 50/60Hz	<input type="checkbox"/> 3000K <input type="checkbox"/> 6000K
DHB-1139	LED	5W		
DHB-1140	LED	2x5W		



DHB-1139

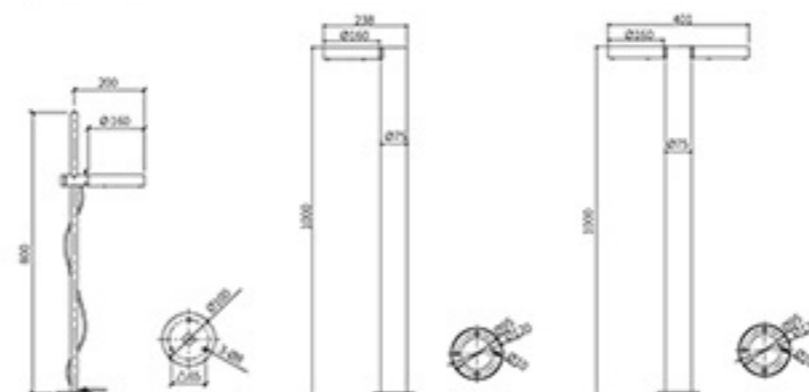


DHB-1138



DHB-1140

Dimensions





DHB-1141/DHB-1142

- Body: Made of aluminum with treatment of corrosion protection and UV-proof powder coating.
- Diffuser: Glass
- Gasketing: Made of thermostable silica gel to impromtection cass.
- Fastener: 304 stainless steel.

	Sand Black
	Dark Grey
	Sand Silver
	Gray Metal Sand Grain

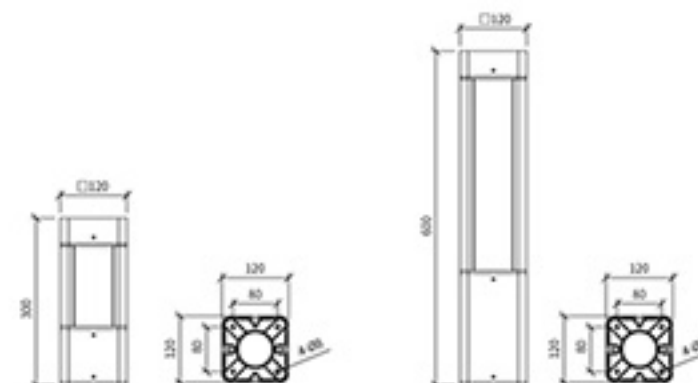
Model NO.	Lamp	Power	Voltage	Color Temperature
DHB-1141	LED	10W	90-260V 50/60Hz	<input checked="" type="checkbox"/> 3000K <input type="checkbox"/> 6000K
DHB-1142	LED	10W		



DHB-1142

DHB-1141

Dimensions





DHB-1143/DHB-1144

- Body: Made of aluminum with treatment of corrosion protection and UV-proof powder coating.
- Diffuser: PC
- Gasketing: Made of termostable silica gel to impromtection cass.
- Fastener: 304 stainless steel.

- Sand Black
- Dark Grey
- Sand Silver
- Gray Metal Sand Grain

Model NO.	Lamp	Power	Voltage	Color Temperature
DHB-1143	LED	9W	90-260V 50/60Hz	<input type="checkbox"/> 3000K <input type="checkbox"/> 6000K
DHB-1144	LED	15W		

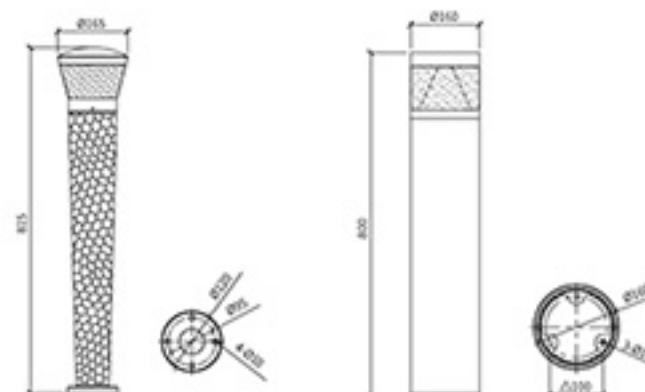


DHB-1143



DHB-1144

Dimensions





DHB-4015

DHB-1145/DHB-1146

- Body: Made of cast aluminum with treatment of corrosion protection and UV-proof powder coating.
- Diffuser: Clear glass/PMMA
- Gasketing: Made of termostable silica gel to impromtection cass.
- Fastener: 304 stainless steel.

	Sand Black
	Dark Grey
	Sand Silver
	Gray Metal Sand Grain

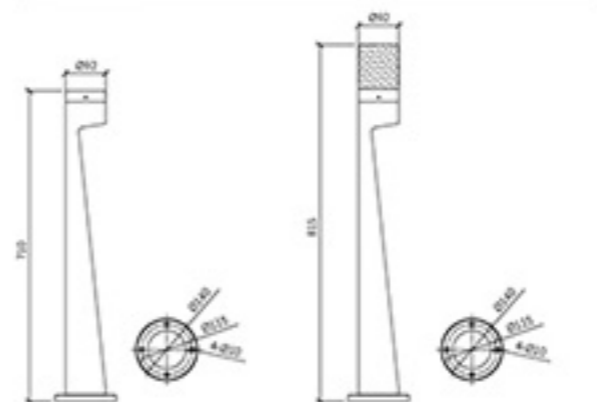
Model NO.	Lamp	Power	Voltage	Color Temperature
DHB-1145	LED	5W	90-260V 50/60Hz	<input type="checkbox"/> 3000K <input type="checkbox"/> 6000K
DHB-1146	LED	3W+5W		



DHB-1145

DHB-1146

Dimensions





DHB-1147/DHB-1148


- Body: Made of aluminum with treatment of corrosion protection and UV-proof powder coating.
- Diffuser: PMMA
- Gasketing: Made of termostable silica gel to impromtection cass.
- Fastener: 304 stainless steel.



DHB-1147



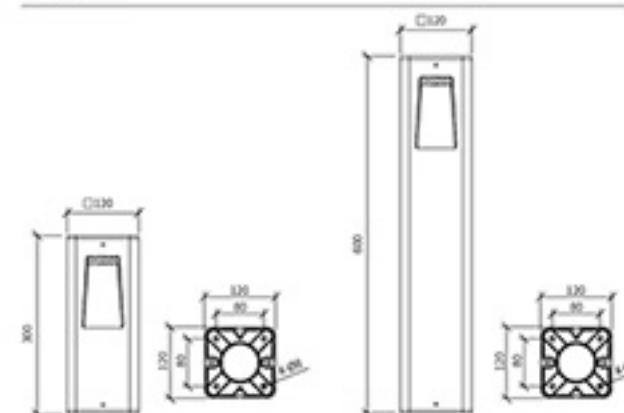
DHB-1148

-  Sand Black
-  Dark Grey
-  Sand Silver
-  Gray Metal Sand Grain

Model NO.	Lamp	Power	Voltage	Color Temperature
DHB-1147	LED	1x7W	90-260V 50/60Hz	<input checked="" type="checkbox"/> 3000K <input type="checkbox"/> 6000K
DHB-1148	LED	2x7W		



Dimensions





DHB-1149/DHB-1150/DHB-1151

- Body: Made of stainless steel / aluminum with treatment of corrosion protection and UV-proof powder coating.
- Diffuser: Clear glass
- Gasketing: Made of termostable silica gel to impromtection cass.
- Fastener: 304 stainless steel.

- Sand Black
- Dark Grey
- Sand Silver
- Gray Metal Sand Grain

Model NO.	Lamp	Power	Voltage	Color Temperature
DHB-1149	LED	7W	90-260V 50/60Hz	<input type="checkbox"/> 3000K <input type="checkbox"/> 6000K
DHB-1150	LED	10W		
DHB-1151	LED	18W		



DHB-1149

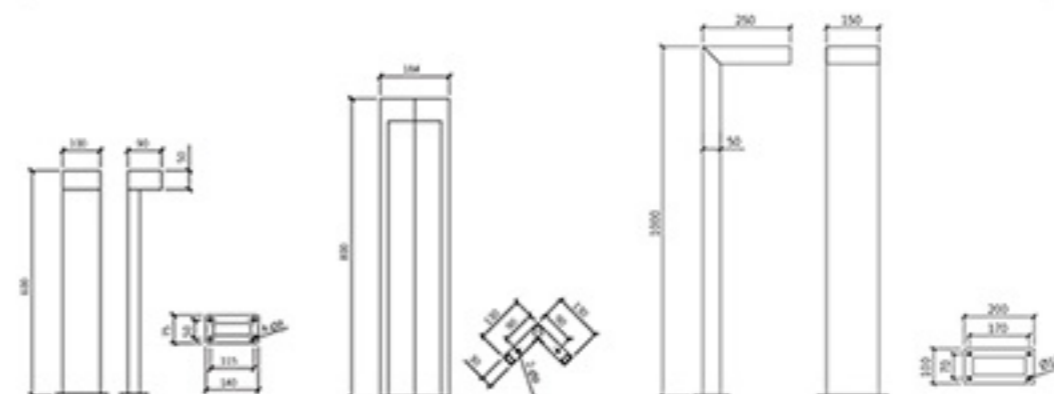


DHB-1151



DHB-1150

Dimensions





DHB-1152/DHB-1153/DHB-1154

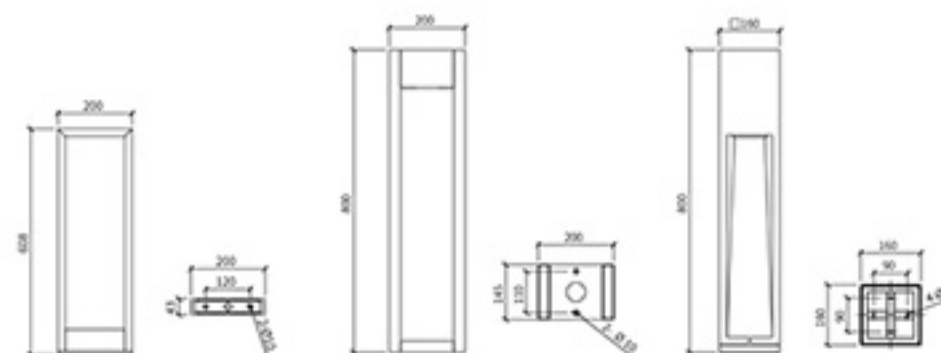
- Body: Made of aluminum with treatment of corrosion protection and UV-proof powder coating.
- Diffuser: Clear glass
- Gasketing: Made of termostable silica gel to improtection cass.
- Fastener: 304 stainless steel.

	Sand Black
	Dark Grey
	Sand Silver
	Gray Metal Sand Grain

Model NO.	Lamp	Power	Voltage	Color Temperature
DHB-1152	LED	9W	90-260V 50/60Hz	<input type="checkbox"/> 3000K <input type="checkbox"/> 6000K
DHB-1153	LED	10W		
DHB-1154	LED	10W		



Dimensions





DHB-1155

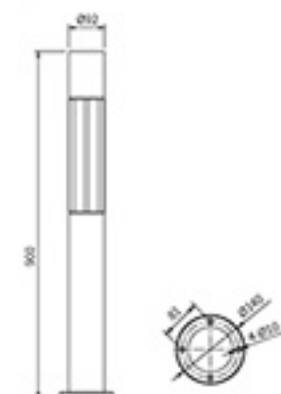
- Body: Made of aluminum with treatment of corrosion protection and UV-proof powder coating.
- Diffuser: Clear glass
- Gasketing: Made of thermostable silica gel to impregnation cass.
- Fastener: 304 stainless steel.

- Sand Black
- Dark Grey
- Sand Silver
- Gray Metal Sand Grain

Lamp	Power	Voltage	Color Temperature
LED	5W	90-260V 50/60Hz	<input type="checkbox"/> 3000K <input type="checkbox"/> 6000K



Dimensions





DHB-1156/DHB-1157/DHB-1158

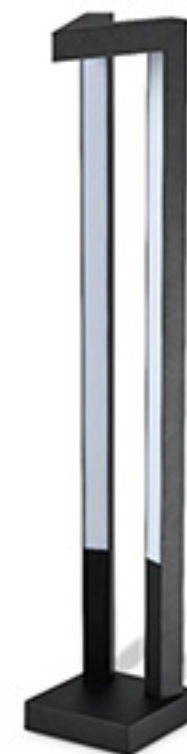
- Body: Made of aluminum with treatment of corrosion protection and UV-proof powder coating.
- Diffuser: PMMA
- Gasketing: Made of termostable silica gel to impromtection cass.
- Fastener: 304 stainless steel.

- Sand Black
- Dark Grey
- Sand Silver
- Gray Metal Sand Grain

Model NO.	Lamp	Power	Voltage	Color Temperature
DHB-1156	LED	20W	90-260V 50/60Hz	<input type="checkbox"/> 3000K <input type="checkbox"/> 6000K
DHB-1157	LED	30W		
DHB-1158	LED	40W		



DHB-1156

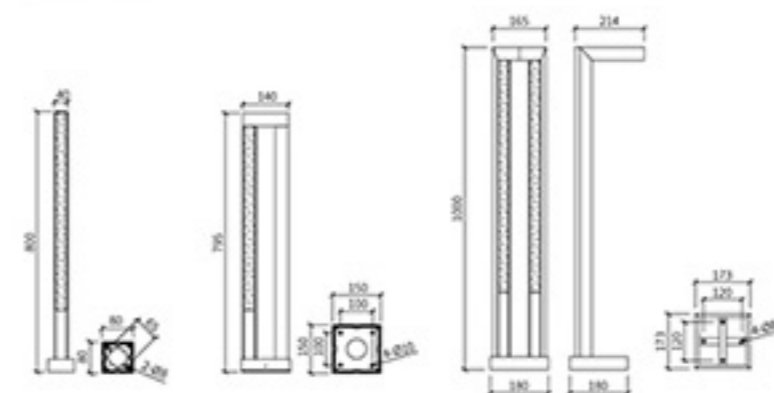


DHB-1158



DHB-1157

Dimensions





DHB-1159/DHB-1160

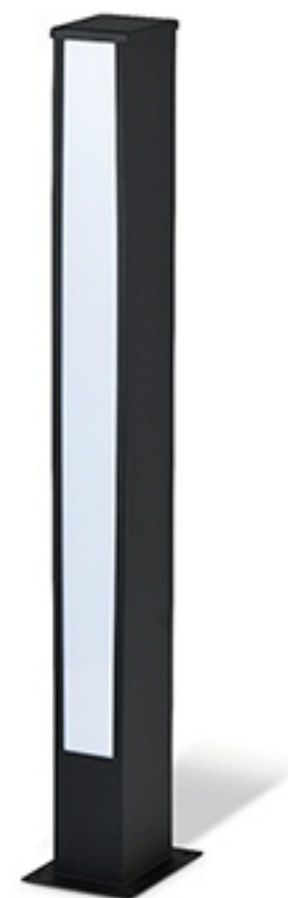
- Body: Made of stainless steel with treatment of corrosion protection and UV-proof powder coating.
- Diffuser: PMMA
- Gasketing: Made of thermostable silica gel to imprompction cass.
- Fastener: 304 stainless steel.

- Sand Black
- Dark Grey
- Sand Silver
- Gray Metal Sand Grain

Model NO.	Lamp	Power	Voltage	Color Temperature
DHB-1159	LED	10W	90-260V 50/60Hz	<input checked="" type="checkbox"/> 3000K <input type="checkbox"/> 6000K
DHB-1160	LED	28W		

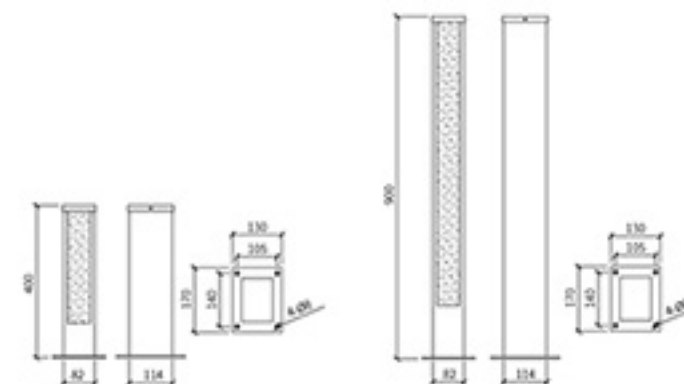


DHB-1159



DHB-1160

Dimensions





DHB-1161/DHB-1162

- Body: Made of aluminum with treatment of corrosion protection and UV-proof powder coating.
- Diffuser: PMMA
- Gasketing: Made of termostable silica gel to imprompction cass.
- Fastener: 304 stainless steel.

	Sand Black
	Dark Grey
	Sand Silver
	Gray Metal Sand Grain

Model NO.	Lamp	Power	Voltage	Color Temperature
DHB-1161	LED	10W	90-260V 50/60Hz	<input checked="" type="checkbox"/> 3000K <input type="checkbox"/> 6000K
DHB-1162	LED	7W		

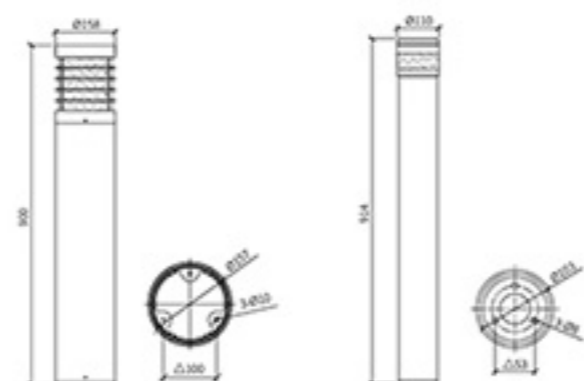


DHB-1161



DHB-1162

Dimensions





DHB-1163/DHB-1164

- Body: Made of aluminum with treatment of corrosion protection and UV-proof powder coating.
- Diffuser: PMMA
- Gasketing: Made of termostable silica gel to impromtection cass.
- Fastener: 304 stainless steel.

	Sand Black
	Dark Grey
	Sand Silver
	Gray Metal Sand Grain

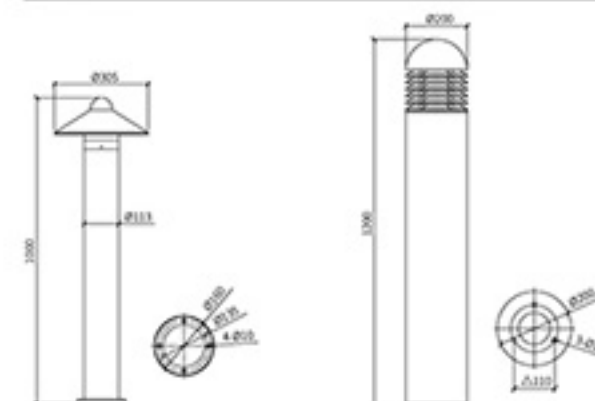
Model NO.	Lamp	Power	Voltage	Color Temperature
DHB-1163	LED	5W	90-260V 50/60Hz	<input checked="" type="checkbox"/> 3000K <input type="checkbox"/> 6000K
DHB-1164	LED	20W		



DHB-1163

DHB-1164

Dimensions





DHB-1165/DHB-1166/DHB-1167

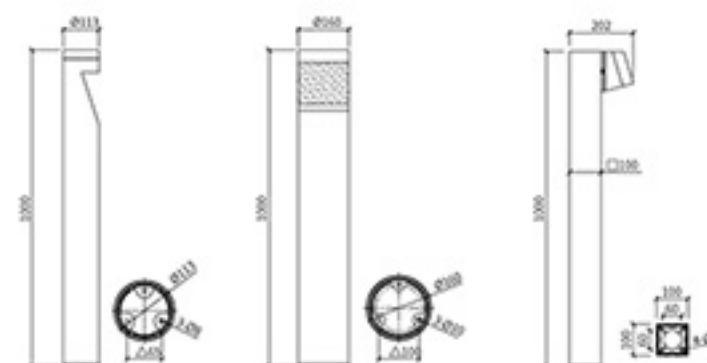
- Body: Made of aluminum with treatment of corrosion protection and UV-proof powder coating.
- Diffuser: Clear glass/PMMA
- Gasketing: Made of thermostable silica gel to impregnation cass.
- Fastener: 304 stainless steel.

- Sand Black
- Dark Grey
- Sand Silver
- Gray Metal Sand Grain

Model NO.	Lamp	Power	Voltage	Color Temperature
DHB-1165	LED	5W	90-260V 50/60Hz	<input type="checkbox"/> 3000K <input type="checkbox"/> 6000K
DHB-1166	LED	15W		
DHB-1167	LED	5W		



Dimensions



Lawn Light Series



DHB-1168

DHB-1169



DHB-1168/DHB-1169 DHB-1170/DHB-1171

- Body: Made of aluminum with treatment of corrosion protection and UV-proof powder coating.
- Diffuser: PC
- Gasketing: Made of thermostable silica gel to impregnation cass.
- Fastener: 304 stainless steel.

- Sand Black
- Dark Grey
- Sand Silver
- Gray Metal Sand Grain

Model NO.	Lamp	Power	Voltage	Color Temperature
DHB-1168	LED	4W	90-260V 50/60Hz	<input checked="" type="checkbox"/> 3000K <input type="checkbox"/> 6000K
DHB-1169	LED	4W		
DHB-1170	LED	4W		
DHB-1171	LED	4W		



DHB-1171



DHB-1170

Dimensions





DHB-1172/DHB-1173

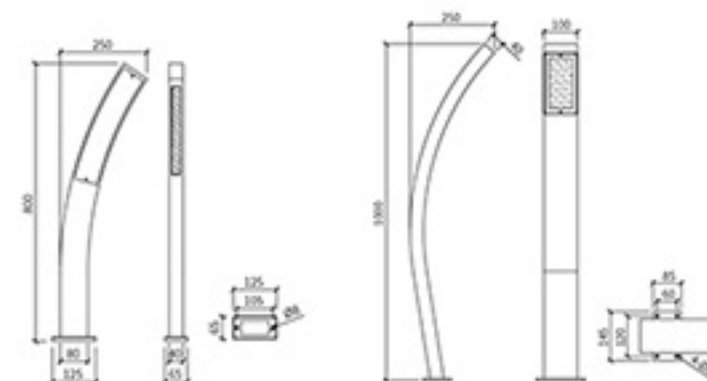
- Body: Made of stainless steel with treatment of corrosion protection and UV-proof powder coating.
- Diffuser: PMMA
- Gasketing: Made of termostable silica gel to impromtection cass.
- Fastener: 304 stainless steel.

- Sand Black
- Dark Grey
- Sand Silver
- Gray Metal Sand Grain

Model NO.	Lamp	Power	Voltage	Color Temperature
DHB-1172	LED	13W	90-260V 50/60Hz	<input checked="" type="checkbox"/> 3000K <input type="checkbox"/> 6000K
DHB-1173	LED	10W		



Dimensions





DHB-1174/DHB-1175/DHB-1176

- Body: Made of aluminum with treatment of corrosion protection and UV-proof powder coating.
- Diffuser: PMMA
- Gasketing: Made of thermostable silica gel to impregnation cass.
- Fastener: 304 stainless steel.

	Sand Black
	Dark Grey
	Sand Silver
	Gray Metal Sand Grain

Model NO.	Lamp	Power	Voltage	Color Temperature
DHB-1174	LED	12W	90-260V 50/60Hz	<input type="checkbox"/> 3000K <input type="checkbox"/> 6000K
DHB-1175	LED	18W		
DHB-1176	LED	24W		



DHB-1174

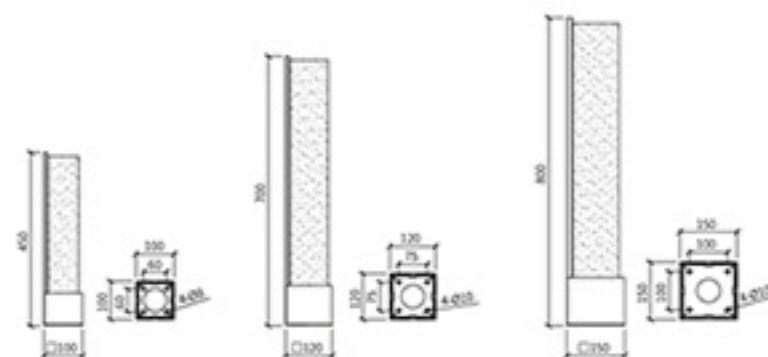


DHB-1176



DHB-1175

Dimensions



Lawn Light Series

DHB-1177/DHB-1178/DHB-1179

- Body: Made of aluminum with treatment of corrosion protection and UV-proof powder coating.
- Diffuser: PMMA
- Gasketing: Made of thermostable silica gel to impromtection cass.
- Fastener: 304 stainless steel.

- Sand Black
- Dark Grey
- Sand Silver
- Gray Metal Sand Grain

Model NO.	Lamp	Power	Voltage	Color Temperature
DHB-1177	LED	5W	90-260V 50/60Hz	3000K 6000K
DHB-1178	LED	10W		
DHB-1179	LED	10W		



DHB-1177

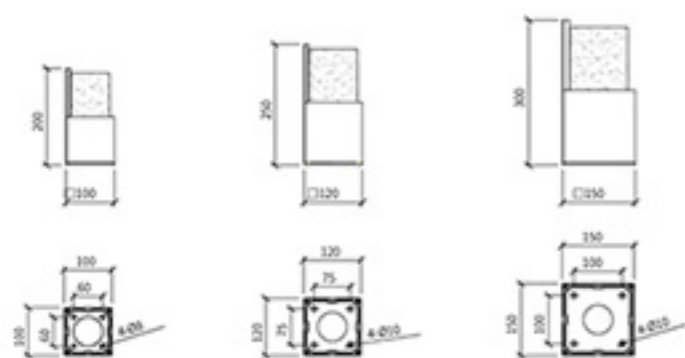


DHB-1179



DHB-1178

Dimensions



DHB-1180/DHB-1181/DHB-1182

- Body: Made of aluminum with treatment of corrosion protection and UV-proof powder coating.
- Diffuser: PMMA
- Gasketing: Made of thermostable silica gel to impromtection cass.
- Fastener: 304 stainless steel.

- Sand Black
- Dark Grey
- Sand Silver
- Gray Metal Sand Grain

Model NO.	Lamp	Power	Voltage	Color Temperature
DHB-1180	LED	5W	90-260V 50/60Hz	3000K 6000K
DHB-1181	LED	10W		
DHB-1182	LED	10W		



DHB-1180

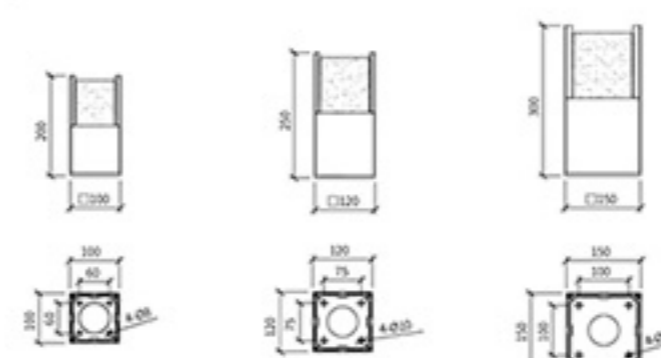


DHB-1182



DHB-1181

Dimensions





DHB-1183/DHB-1184/DHB-1185

- Body: Made of aluminum with treatment of corrosion protection and UV-proof powder coating.
- Diffuser: PMMA
- Gasketing: Made of thermostable silica gel to impregnation cass.
- Fastener: 304 stainless steel.

- Sand Black
- Dark Grey
- Sand Silver
- Gray Metal Sand Grain

Model NO.	Lamp	Power	Voltage	Color Temperature
DHB-1183	LED	5W	90-260V 50/60Hz	3000K 6000K
DHB-1184	LED	10W		
DHB-1185	LED	10W		



DHB-1183

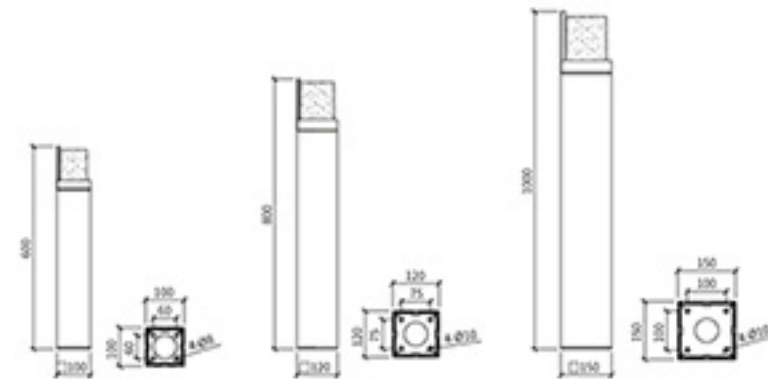


DHB-1185



DHB-1184

Dimensions





DHB-1186/DHB-1187/DHB-1188

- Body: Made of aluminum with treatment of corrosion protection and UV-proof powder coating.
- Diffuser: PMMA
- Gasketing: Made of thermostable silica gel to impregnation cass.
- Fastener: 304 stainless steel.

- Sand Black
- Dark Grey
- Sand Silver
- Gray Metal Sand Grain

Model NO.	Lamp	Power	Voltage	Color Temperature
DHB-1186	LED	5W	90-260V 50/60Hz	<input type="checkbox"/> 3000K <input type="checkbox"/> 6000K
DHB-1187	LED	10W		
DHB-1188	LED	10W		



DHB-1186

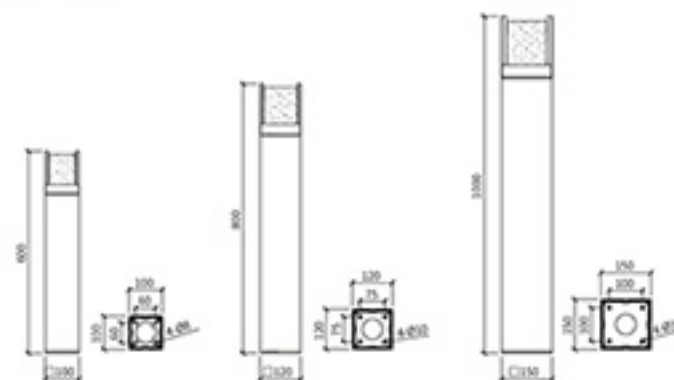


DHB-1188



DHB-1187

Dimensions





DHB-1189/DHB-1190/DHB-1191

- Body: Made of aluminum with treatment of corrosion protection and UV-proof powder coating.
- Diffuser: PMMA
- Gasketing: Made of thermostable silica gel to impromtection cass.
- Fastener: 304 stainless steel.

- Sand Black
- Dark Grey
- Sand Silver
- Gray Metal Sand Grain

Model NO.	Lamp	Power	Voltage	Color Temperature
DHB-1189	LED	12W	90-260V 50/60Hz	3000K 6000K
DHB-1190	LED	18W		
DHB-1191	LED	24W		



DHB-1189

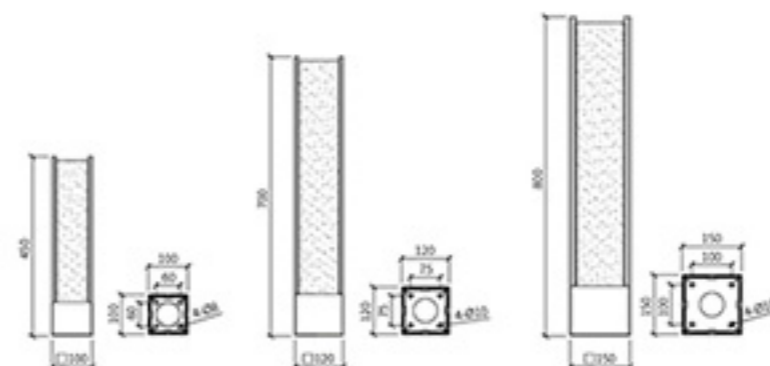


DHB-1191



DHB-1190

Dimensions





DHB-1192/DHB-1193

- Body: Made of stainless steel with treatment of corrosion protection and UV-proof powder coating.
- Diffuser: PMMA/Glass
- Gasketing: Made of termostable silica gel to impromtection cass.
- Fastener: 304 stainless steel.



DHB-1192

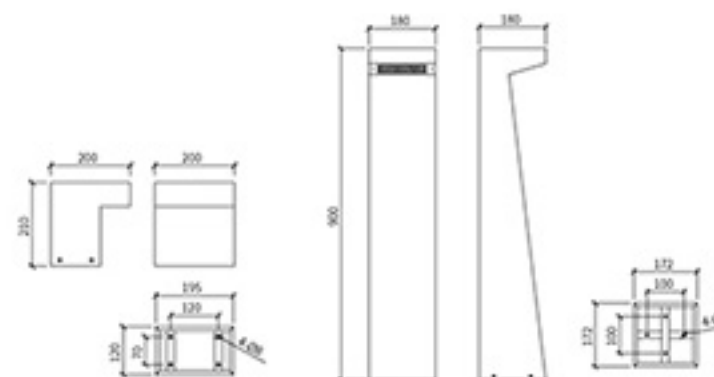
- Sand Black
- Dark Grey
- Sand Silver
- Gray Metal Sand Grain

Model NO.	Lamp	Power	Voltage	Color Temperature
DHB-1192	LED	12W	90-260V 50/60Hz	<input checked="" type="checkbox"/> 3000K <input type="checkbox"/> 6000K
DHB-1193	LED	12W		



DHB-1193

Dimensions





DHB-1194/DHB-1195

- Body: Made of aluminum with treatment of corrosion protection and UV-proof powder coating.
- Diffuser: PMMA/Artificial marble
- Gasketing: Made of thermostable silica gel to impromtection cass.
- Fastener: 304 stainless steel.

- Sand Black
- Dark Grey
- Sand Silver
- Gray Metal Sand Grain

Model NO.	Lamp	Power	Voltage	Color Temperature
DHB-1194	LED	5W	90-260V 50/60Hz	<input type="checkbox"/> 3000K <input type="checkbox"/> 6000K
DHB-1195	LED	10W		

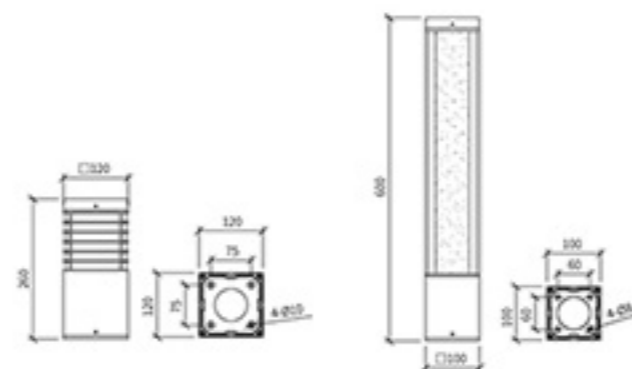


DHB-1194



DHB-1195

Dimensions





DHB-1196/DHB-1197

- Body: Made of iron with treatment of corrosion protection and UV-proof powder coating.
- Diffuser: PMMA/PO
- Gasketing: Made of termostable silica gel to impromtection cass.
- Fastener: 304 stainless steel.

- Sand Black
- Dark Grey
- Sand Silver
- Gray Metal Sand Grain

Model NO.	Lamp	Power	Voltage	Color Temperature
DHB-1196	LED	30W	90-260V 50/60Hz	<input checked="" type="checkbox"/> 3000K <input type="checkbox"/> 6000K
DHB-1197	LED	10W		

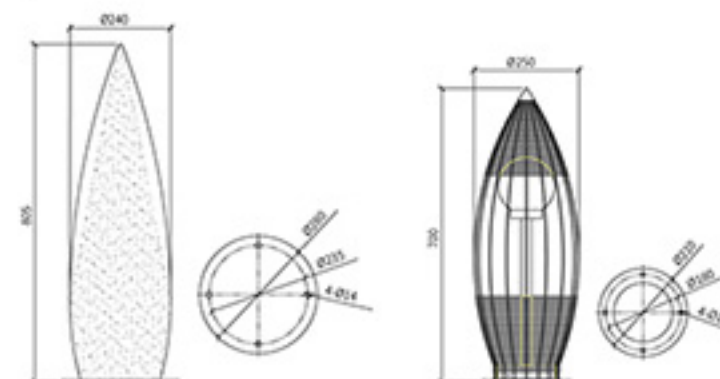


DHB-1197



DHB-1196

Dimensions





DHB-1198/DHB-1199

- Body: Made of aluminum with treatment of corrosion protection and UV-proof powder coating.
- Diffuser: PMMA
- Gasketing: Made of thermostable silica gel to impregnation cass.
- Fastener: 304 stainless steel.

- Sand Black
- Dark Grey
- Sand Silver
- Gray Metal Sand Grain

Model NO.	Lamp	Power	Voltage	Color Temperature
DHB-1198	LED	5W	90-260V 50/60Hz	<input type="checkbox"/> 3000K <input type="checkbox"/> 6000K
DHB-1199	LED	23W		

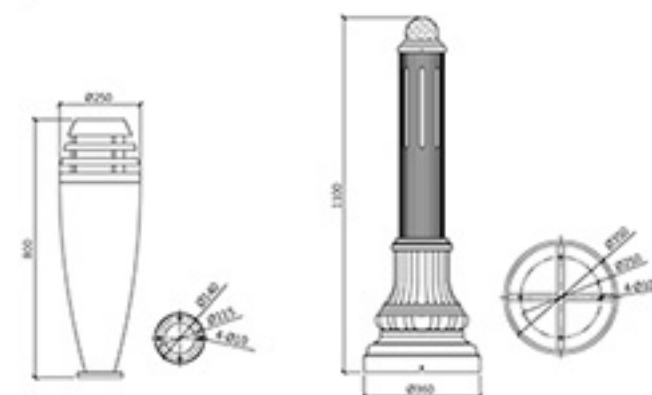


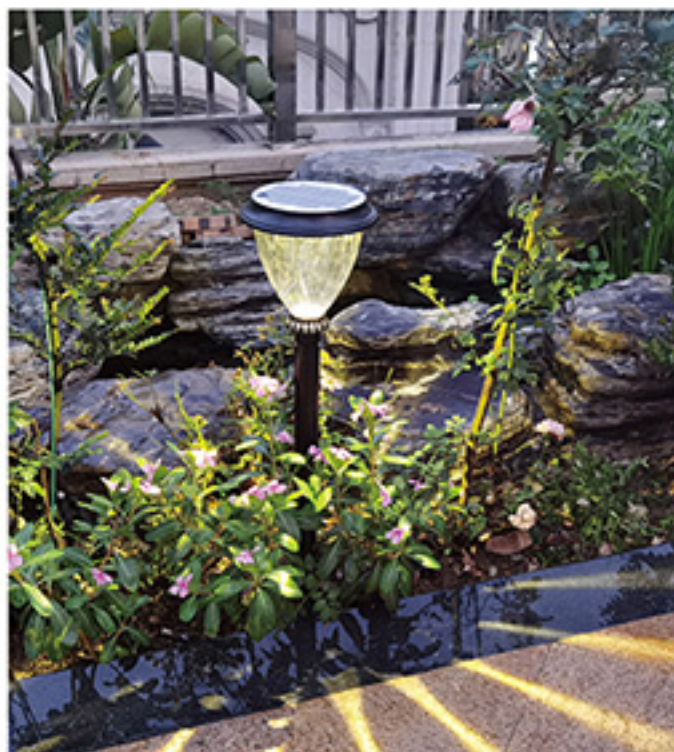
DHB-1198



DHB-1199

Dimensions





DHB-1200/DHB-1201

- Body: Made of aluminum with treatment of corrosion protection and UV-proof powder coating.
- Diffuser: PC
- Gasketing: Made of thermostable silica gel to impromtection cass.
- Fastener: 304 stainless steel.

- Sand Black
- Dark Grey
- Sand Silver
- Gray Metal Sand Grain

Model NO.	Lamp	Power	Voltage	Color Temperature
DHB-1200	LED	1W	90-260V 50/60Hz	<input type="checkbox"/> 3000K <input type="checkbox"/> 6000K
DHB-1201	LED	1W		<input checked="" type="checkbox"/> RGB

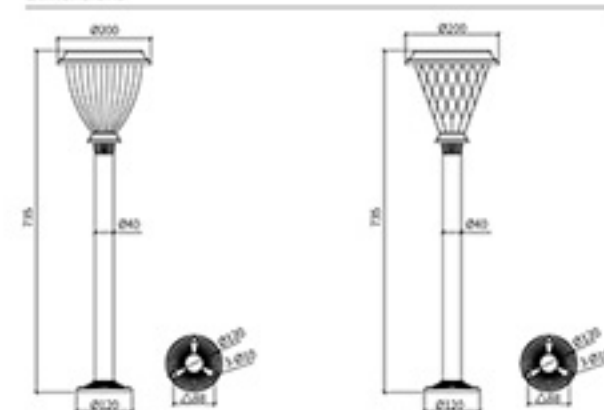


DHB-1201



DHB-1200

Dimensions





DHB-1202/DHB-1203/DHB-1204

- Body: Made of aluminum with treatment of corrosion protection and UV-proof powder coating.
- Diffuser: PC/PS
- Gasketing: Made of thermostable silica gel to impregnation cass.
- Fastener: 304 stainless steel.

- Sand Black
- Dark Grey
- Sand Silver
- Gray Metal Sand Grain

Model NO.	Lamp	Power	Voltage	Color Temperature
DHB-1202	LED	1W	90-260V 50/60Hz	3000K □ 6000K
DHB-1203	LED	1W		RGB
DHB-1204	LED	0.6W		



DHB-1203

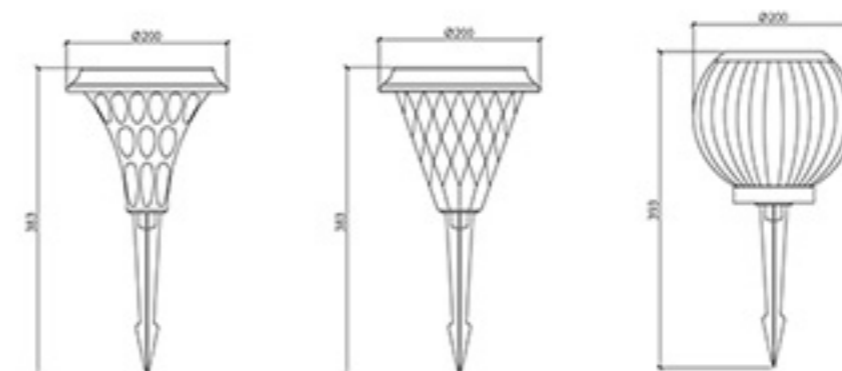


DHB-1202



DHB-1204

Dimensions





DHB-1055/DHB-1056

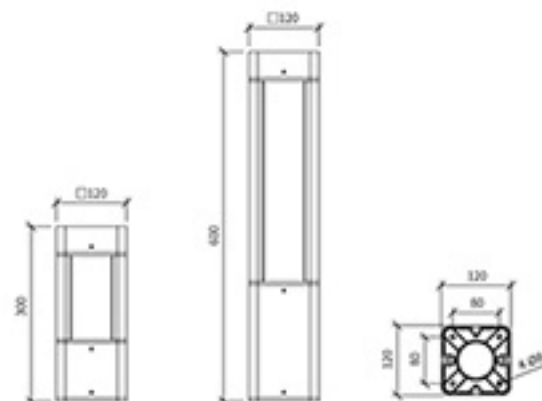
- Body: Made of aluminum with treatment of anti-corrosion and UV-proof powder coating.
- Diffuser: Glass
- Fastener: 304 stainless steel.

	Sand Black
	Dark Grey
	Sand Silver
	Gray Metal Sand Grain

Model NO.	Lamp	Power	Voltage	Color Temperature
DHB-1055	LED	10W	90-260V 50/60Hz	<input type="checkbox"/> 3000K <input type="checkbox"/> 6000K
DHB-1056	LED	10W		



Dimensions





DHB-1031/DHB-1032/DHB-1033

- Body: Made of aluminum with treatment of anti-corrosion and UV-proof powder coating.
- Diffuser: Clear polycarbonate.
- Fastener: 304 stainless steel.

- Sand Black
- Dark Grey
- Sand Silver
- Gray Metal Sand Grain

Model NO.	Lamp	Power	Voltage	Color Temperature
DHB-1031	LED	10W	90-260V 50/60Hz	3000K 6000K
DHB-1032	LED	10W		
DHB-1033	LED	2x10W		



DHB-1031

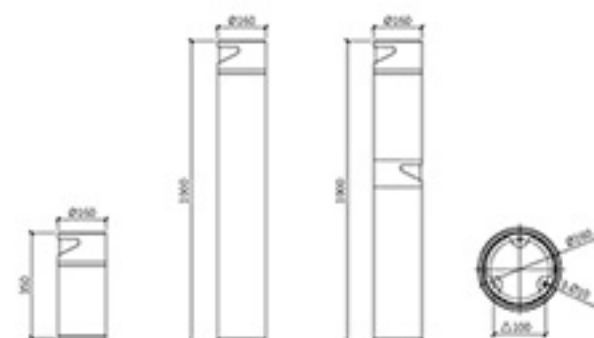


DHB-1032



DHB-1033

Dimensions

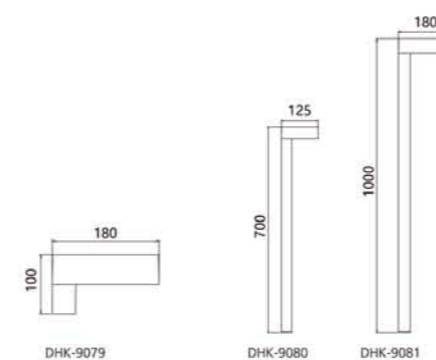


LED LAWN LIGHT

- Body: Made of cast aluminum with treatment of corrosion protection and UV-proof powder coating.
- Diffuser: Clear glass
- Gasketing: Made of thermostable silica gel to improve protection class.
- Fastener: 304 stainless steel .



DHK-9079

DHK-9080
DHK-9081

DHK-9079

Lamp: LED COB
LED Power: 1X10W
Voltage: 90-260V 50/60Hz

Color Temperature

- 3000K
 6000K

DHK-9080/DHK-9081

Lamp: LED COB
LED Power: 1x5W / 1X10W
Voltage: 90-260V 50/60Hz

Color Temperature

- 3000K
 6000K



LED LAWN LIGHT

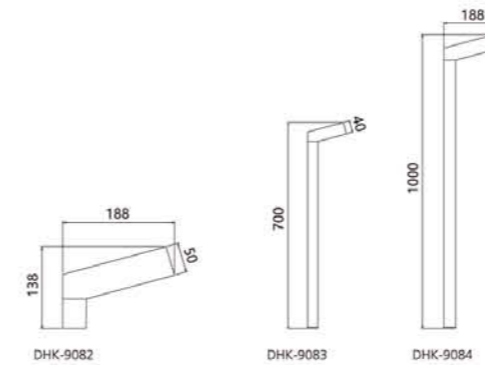
- Body: Made of cast aluminum with treatment of corrosion protection and UV-proof powder coating.
- Diffuser: Clear glass
- Gasketing: Made of thermostable silica gel to improve protection class.
- Fastener: 304 stainless steel .



DHK-9082



DHK-9083
DHK-9084



DHK-9082

Lamp: LED COB
LED Power: 1X10W
Voltage: 90-260V 50/60Hz

Color Temperature

- 3000K
- 6000K

DHK-9083/DHK-9084

Lamp: LED COB
LED Power: 1x5W / 1X10W
Voltage: 90-260V 50/60Hz

Color Temperature

- 3000K
- 6000K

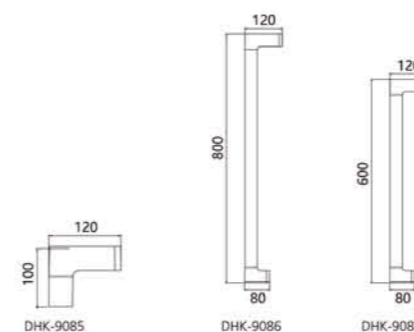


LED LAWN LIGHT

- Body: Made of cast aluminum alloy treatment of corrosion protection and UV-proof powder coating.
- Diffuser: Clear glass
- Gasketing: Made of thermostable silica gel to improve protection class.
- Fastener: 304 stainless steel .



DHK-9085

DHK-9086
DHK-9087

DHK-9085

DHK-9086

DHK-9087

DHK-9085

Lamp: LED COB
LED Power: 1X10W
Voltage: 90-260V 50/60Hz

Color Temperature

- 3000K
 6000K

DHK-9086/DHK-9087

Lamp: LED COB
LED Power: 1X10W
Voltage: 90-260V 50/60Hz

Color Temperature

- 3000K
 6000K



LED LAWN LIGHT

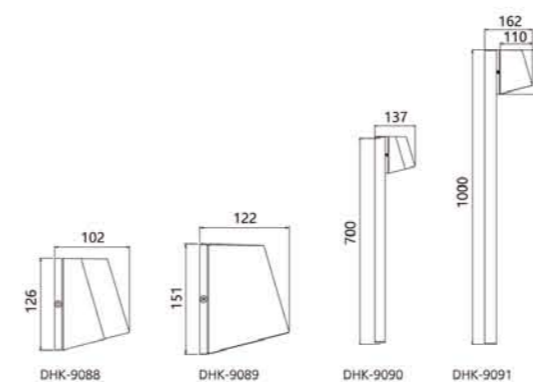
- Body: Made of cast aluminum with treatment of corrosion protection and UV-proof powder coating.
- Diffuser: Clear glass
- Gasketing: Made of thermostable silica gel to improve protection class.
- Fastener: 304 stainless steel.



DHK-9088
DHK-9089



DHK-9090
DHK-9091



DHK-9088/DHK-9089

Lamp: LED COB
LED Power: 1x5W / 1x10W
Voltage: 90-260V 50/60Hz

Color Temperature

- 3000K
 6000K

DHK-9090/DHK-9091

Lamp: LED COB
LED Power: 1x5W / 1x10W
Voltage: 90-260V 50/60Hz

Color Temperature

- 3000K
 6000K



LED LAWN LIGHT

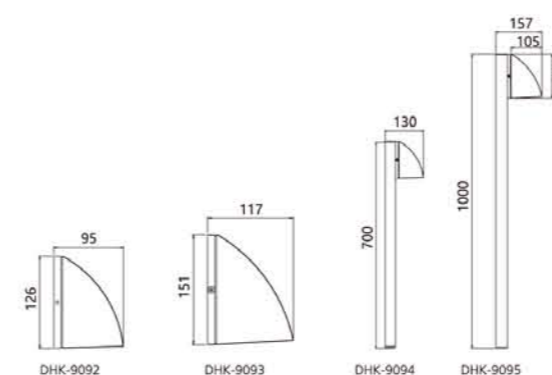
- Body: Made of cast aluminum with treatment of corrosion protection and UV-proof powder coating.
- Diffuser: Clear glass
- Gasketing: Made of thermostable silica gel to improve protection class.
- Fastener: 304 stainless steel.



DHK-9092
DHK-9093



DHK-9094
DHK-9095



DHK-9092/DHK-9093

Lamp: LED COB
LED Power: 1x5W / 1x10W
Voltage: 90-260V 50/60Hz

Color Temperature

- 3000K
 6000K

DHK-9094/DHK-9095

Lamp: LED COB
LED Power: 1x5W / 1x10W
Voltage: 90-260V 50/60Hz

Color Temperature

- 3000K
 6000K



LED LAWN LIGHT

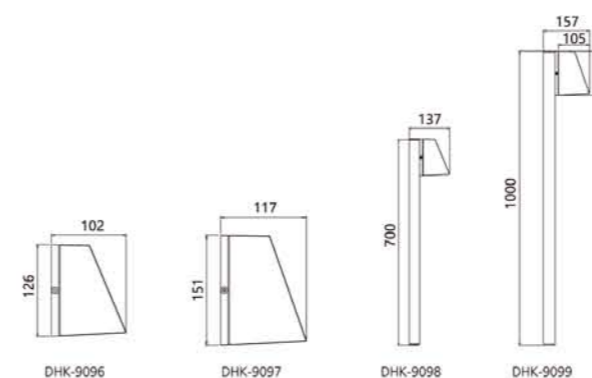
- Body: Made of cast aluminum with treatment of corrosion protection and UV-proof powder coating.
- Diffuser: Clear glass
- Gasketing: Made of thermostable silica gel to improve protection class.
- Fastener: 304 stainless steel.



DHK-9096
DHK-9097



DHK-9098
DHK-9099



DHK-9096/DHK-9097

Lamp: LED COB
LED Power: 1x5W / 1x10W
Voltage: 90-260V 50/60Hz

Color Temperature

- 3000K
 6000K

DHK-9098/DHK-9099

Lamp: LED COB
LED Power: 1x5W / 1x10W
Voltage: 90-260V 50/60Hz

Color Temperature

- 3000K
 6000K



LED LAWN LIGHT

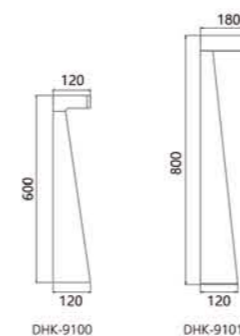
- Body: The light body is made of stainless steel, the light fixture is made of cast aluminum with the treatment of corrosion protection and UV-proof powder coating.
- Diffuser: Clear glass
- Gasketing: Made of thermostable silica gel to improve protection class.
- Fastener: 304 stainless steel.



DHK-9100



DHK-9101



DHK-9100

Lamp: LED COB
LED Power: 1X10W
Voltage: 90-260V 50/60Hz

Color Temperature

- 3000K
 6000K

DHK-9101

Lamp: LED COB
LED Power: 1X10W
Voltage: 90-260V 50/60Hz

Color Temperature

- 3000K
 6000K



LED LAWN LIGHT

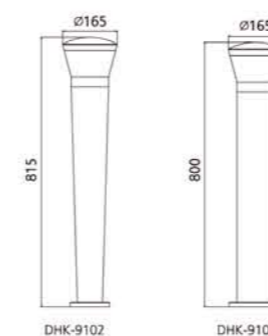
- Body: Made of cast aluminum with treatment of corrosion protection and UV-proof powder coating.
- Diffuser: Clear polycarbonate
- Reflector: Made of anodized high pure aluminum.
- Gasketing: Made of thermostable silica gel to improve protection class.
- Fastener: 304 stainless steel.



DHK-9102



DHK-9103



DHK-9102

Lamp: LED
LED Power: 1X9W
Voltage: 90-260V 50/60Hz

Color Temperature

- 3000K
 6000K

DHK-9103

Lamp: LED
LED Power: 1X9W
Voltage: 90-260V 50/60Hz

Color Temperature

- 3000K
 6000K





LED LAWN LIGHT

- Body: Made of cast aluminum with treatment of corrosion protection and UV-proof powder coating.
- Diffuser: Clear glass
- Gasketing: Made of thermostable silica gel to improve protection class.
- Fastener: 304 stainless steel.



LED LAWN LIGHT

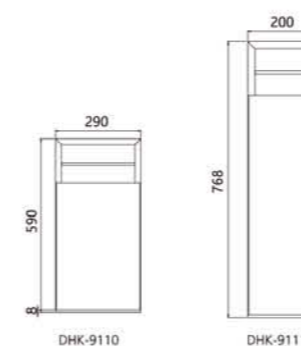
- Body: Made of cast aluminum with treatment of corrosion protection and UV-proof powder coating.
- Diffuser: Clear glass
- Gasketing: Made of thermostable silica gel to improve protection class.
- Fastener: 304 stainless steel.



DHK-9110



DHK-9111



DHK-9110

Lamp: LED
LED Power: 13.5W
Voltage: 90-260V 50/60Hz

Color Temperature

- 3000K
 6000K

DHK-9111

Lamp: LED
LED Power: 9W
Voltage: 90-260V 50/60Hz

Color Temperature

- 3000K
 6000K



LED LAWN LIGHT

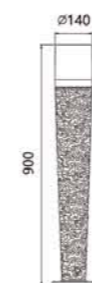
- Body: Made of cast aluminum with treatment of corrosion protection and UV-proof powder coating.
- Diffuser: PMMA/PC
- Gasketing: Made of thermostable silica gel to improve protection class.
- Fastener: 304 stainless steel.



DHK-9112



DHK-9113



DHK-9112



DHK-9113

DHK-9112

Lamp: LED
LED Power: LED 9W / E27x1
Voltage: 90-260V 50/60Hz

Color Temperature

- 3000K
 6000K

DHK-9113

Lamp: LED
LED Power: LED 7W / E27x1
Voltage: 90-260V 50/60Hz

Color Temperature

- 3000K
 6000K



LED LAWN LIGHT

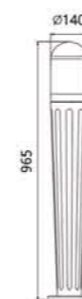
- Body: Made of cast aluminum with treatment of corrosion protection and UV-proof powder coating.
- Diffuser: PC
- Gasketing: Made of thermostable silica gel to improve protection class.
- Fastener: 304 stainless steel.



DHK-9114



DHK-9115



DHK-9114



DHK-9115

DHK-9114

Lamp: LED
LED Power: LED 9W / E27x1
Voltage: 90-260V 50/60Hz

Color Temperature

- 3000K
 6000K

DHK-9115

Lamp: LED
LED Power: LED 9W / E27x1
Voltage: 90-260V 50/60Hz

Color Temperature

- 3000K
 6000K



LED LAWN LIGHT

- Body: Made of cast aluminum with treatment of corrosion protection and UV-proof powder coating.
- Diffuser: PC
- Reflector: Made of anodized high pure aluminum.
- Gasketing: Made of thermostable silica gel to improve protection class.
- Fastener: 304 stainless steel.



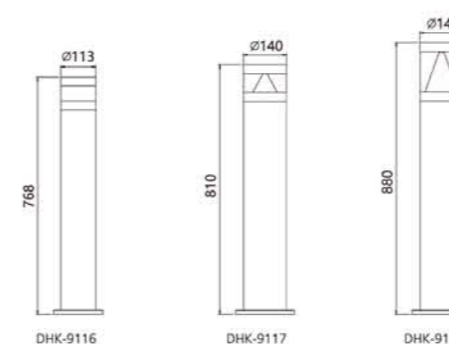
DHK-9116



DHK-9117



DHK-9118



DHK-9116

Lamp: LED
LED Power: 7W
Voltage: 90-260V 50/60Hz

Color Temperature

- 3000K
 6000K

DHK-9117

Lamp: LED
LED Power: 9W
Voltage: 90-260V 50/60Hz

- 3000K
 6000K

DHK-9118

Lamp: LED
LED Power: 9W
Voltage: 90-260V 50/60Hz

- 3000K
 6000K



LED LAWN LIGHT

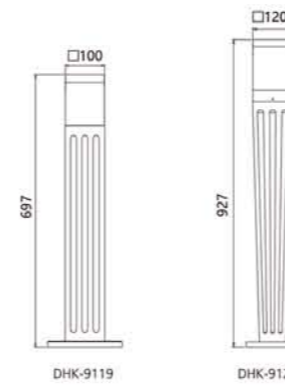
- Body: Made of cast aluminum with treatment of corrosion protection and UV-proof powder coating.
- Diffuser: PC/PMMA
- Gasketing: Made of thermostable silica gel to improve protection class.
- Fastener: 304 stainless steel.



DHK-9119



DHK-9120



DHK-9119

Lamp: LED
 LED Power: 7W / E27x1
 Voltage: 90-260V 50/60Hz

Color Temperature

- 3000K
- 6000K

DHK-9120

Lamp: LED
 LED Power: 9W / E27x1
 Voltage: 90-260V 50/60Hz

Color Temperature

- 3000K
- 6000K



LED LAWN LIGHT

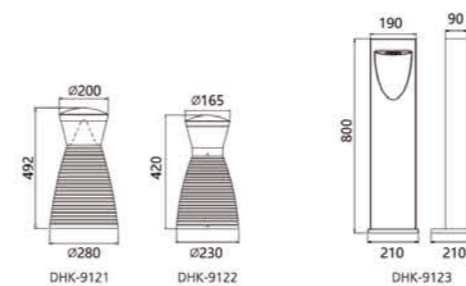
- Body: Made of cast aluminum with treatment of anti-corrosion and UV-proof powder coating.
- Diffuser: PC/Clear glass
- Reflector: Made of anodized high pure aluminum.
- Gasketing: Made of thermostable silica gel to improve protection class.



DHK-9121
DHK-9122



DHK-9123



DHK-9121/DHK-9122

Lamp: LED
LED Power: 9W
Voltage: 90-260V 50/60Hz

Color Temperature

- 3000K
 6000K

DHK-9123

Lamp: LED COB
LED Power: 1x10W
Voltage: 90-260V 50/60Hz

Color Temperature

- 3000K
 6000K



LED LAWN LIGHT

- Body: Made of cast aluminum with treatment of anti-corrosion and UV-proof powder coating.
- Diffuser: PC
- Reflector: Made of anodized high pure aluminum.
- Gasketing: Made of thermostable silica gel to improve protection class.
- Fastener: 304 stainless steel.



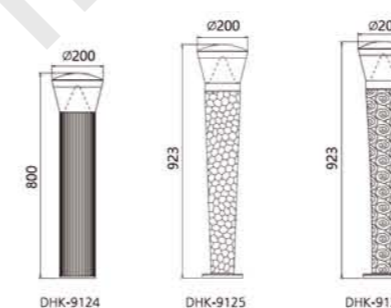
DHK-9124



DHK-9125



DHK-9126



DHK-9124

Lamp: LED
LED Power: 9W
Voltage: 90-260V 50/60Hz

Color Temperature

- 3000K
 6000K

DHK-9125

Lamp: LED
LED Power: 9W
Voltage: 90-260V 50/60Hz

Color Temperature

- 3000K
 6000K

DHK-9126

Lamp: LED
LED Power: 9W
Voltage: 90-260V 50/60Hz

Color Temperature

- 3000K
 6000K



LED LAWN LIGHT

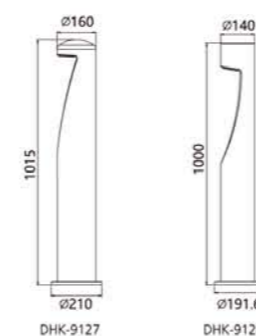
- Body: Made of cast aluminum with treatment of anti-corrosion and UV-proof powder coating.
- Diffuser: Clear glass
- Gasketing: Made of thermostable silica gel to improve protection class.
- Fastener: 304 stainless steel.



DHK-9127



DHK-9128



DHK-9127

Lamp: LED COB
LED Power: 1x10W
Voltage: 90-260V 50/60Hz

Color Temperature

- 3000K
 6000K

DHK-9128

Lamp: LED COB
LED Power: 1x10W
Voltage: 90-260V 50/60Hz

Color Temperature

- 3000K
 6000K



LED LAWN LIGHT

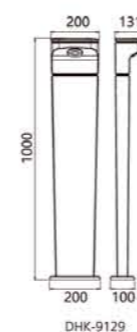
- Body: Made of cast aluminum with treatment of anti-corrosion and UV-proof powder coating.
- Diffuser: Clear glass
- Gasketing: Made of thermostable silica gel to improve protection class.
- Fastener: 304 stainless steel.



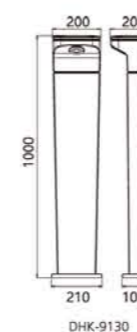
DHK-9129



DHK-9130



DHK-9129



DHK-9130

DHK-9129

Lamp: LED COB
LED Power: 1x10W
Voltage: 90-260V 50/60Hz

Color Temperature

- 3000K
 6000K

DHK-9130

Lamp: LED COB
LED Power: 2x10W
Voltage: 90-260V 50/60Hz

Color Temperature

- 3000K
 6000K



LED LAWN LIGHT

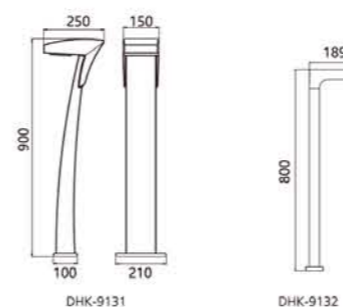
- Body: Made of cast aluminum with treatment of anti-corrosion and UV-proof powder coating.
- Diffuser: Clear glass
- Gasketing: Made of thermostable silica gel to improve protection class.
- Fastener: 304 stainless steel.



DHK-9131



DHK-9132



DHK-9131

Lamp: LED COB
LED Power: 1x10W
Voltage: 90-260V 50/60Hz

Color Temperature

- 3000K
 6000K

DHK-9132

Lamp: LED COB
LED Power: 1x10W
Voltage: 90-260V 50/60Hz

Color Temperature

- 3000K
 6000K



LED LAWN LIGHT

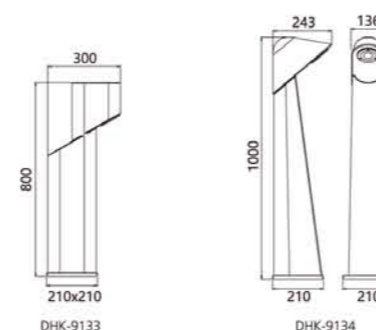
- Body: Made of cast aluminum with treatment of anti-corrosion and UV-proof powder coating.
- Diffuser: Clear glass
- Gasketing: Made of thermostable silica gel to improve protection class.
- Fastener: 304 stainless steel.



DHK-9133



DHK-9134



DHK-9133

Lamp: LED COB
LED Power: 1x10W
Voltage: 90-260V 50/60Hz

Color Temperature

- 3000K
 6000K

DHK-9134

Lamp: LED COB
LED Power: 1x10W
Voltage: 90-260V 50/60Hz

Color Temperature

- 3000K
 6000K



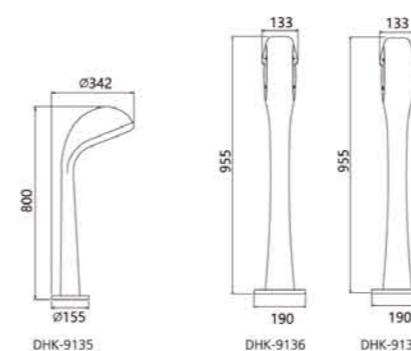


LED LAWN LIGHT

- Body: Made of cast aluminum with treatment of anti-corrosion and UV-proof powder coating.
- Diffuser: Clear glass
- Gasketing: Made of thermostable silica gel to improve protection class.
- Fastener: 304 stainless steel.



DHK-9135

DHK-9136
DHK-9137

DHK-9135

Lamp: LED COB
LED Power: 5W
Voltage: 90-260V 50/60Hz

Color Temperature

- 3000K
 6000K

DHK-9136/DHK-9137

Lamp: LED COB
LED Power: 2x5W/1x5W
Voltage: 90-260V 50/60Hz

Color Temperature

- 3000K
 6000K

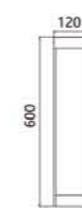


LED LAWN LIGHT

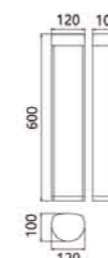
- Body: Made of cast aluminum with treatment of corrosion protection and UV-proof powder coating.
- Diffuser: Clear glass
- Gasketing: Made of thermostable silica gel to improve protection class.
- Fastener: 304 stainless steel.



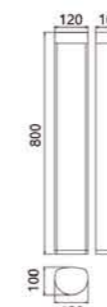
DHK-9138

DHK-9139
DHK-9140

DHK-9138



DHK-9139



DHK-9140

DHK-9138

Lamp: LED COB

LED Power: 5W

Voltage: 90-260V 50/60Hz

Color Temperature

 3000K

 6000K

DHK-9139/DHK-9140

Lamp: LED COB

LED Power: 5W

Voltage: 90-260V 50/60Hz

Color Temperature

 3000K

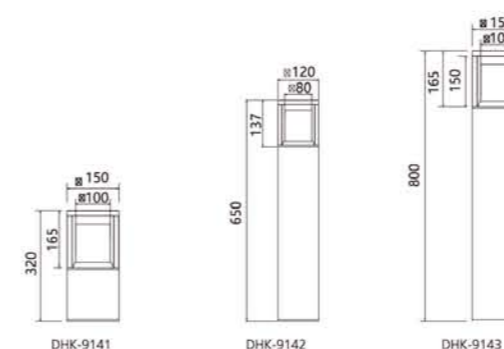
 6000K


LED LAWN LIGHT

- Body: Made of cast aluminum with treatment of corrosion protection and UV-proof powder coating.
- Diffuser: PMMA
- Gasketing: Made of thermostable silica gel to improve protection class.
- Fastener: 304 stainless steel.



DHK-9141

DHK-9142
DHK-9143

DHK-9141

Lamp: LED COB
LED Power: 10W
Voltage: 90-260V 50/60Hz

Color Temperature

- 3000K
 6000K

DHK-9142/DHK-9143

Lamp: LED COB
LED Power: 5W/10W
Voltage: 90-260V 50/60Hz

Color Temperature

- 3000K
 6000K

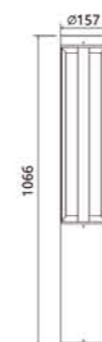


LED LAWN LIGHT

- Body: Made of cast aluminum with treatment of corrosion protection and UV-proof powder coating.
- Diffuser: Clear glass
- Gasketing: Made of thermostable silica gel to improve protection class.
- Fastener: 304 stainless steel.



DHK-9144



DHK-9144

Lamp: LED COB

LED Power: 10W

Voltage: 90-260V 50/60Hz

Color Temperature

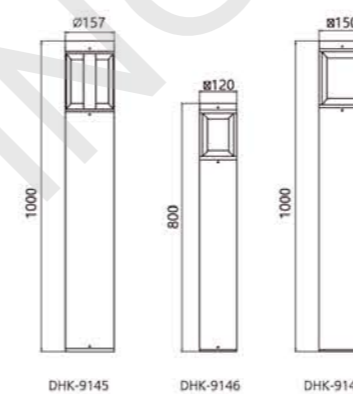
3000K

6000K



LED LAWN LIGHT

- Body: Made of cast aluminum with treatment of corrosion protection and UV-proof powder coating.
- Diffuser: Clear glass
- Gasketing: Made of thermostable silica gel to improve protection class.
- Fastener: 304 stainless steel.



DHK-9145

Lamp: LED COB
LED Power: 10W
Voltage: 90-260V 50/60Hz

Color Temperature

- 3000K
 6000K

DHK-9146

Lamp: LED COB
LED Power: 10W
Voltage: 90-260V 50/60Hz

Color Temperature

- 3000K
 6000K

DHK-9147

Lamp: LED COB
LED Power: 10W
Voltage: 90-260V 50/60Hz

Color Temperature

- 3000K
 6000K



DHK-9145



DHK-9146



DHK-9147



LED LAWN LIGHT

- Body: Made of cast aluminum with treatment of corrosion protection and UV-proof powder coating.
- Diffuser: Clear glass
- Gasketing: Made of thermostable silica gel to improve protection class.
- Fastener: 304 stainless steel.



DHK-9148



DHK-9149



DHK-9150

DHK-9148

Lamp: LED
LED Power: 10W
Voltage: 90-260V 50/60Hz

Color Temperature

- 3000K
 6000K

DHK-9149

Lamp: LED
LED Power: 10W
Voltage: 90-260V 50/60Hz

Color Temperature

- 3000K
 6000K

DHK-9150

Lamp: LED
LED Power: 10W
Voltage: 90-260V 50/60Hz

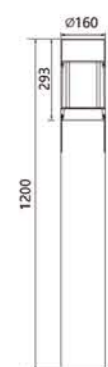
Color Temperature

- 3000K
 6000K



LED LAWN LIGHT

- Body: Made of cast aluminum with treatment of corrosion protection and UV-proof powder coating.
- Diffuser: PMMA
- Gasketing: Made of thermostable silica gel to improve protection class.
- Fastener: 304 stainless steel.



DHK-9151

DHK-9151

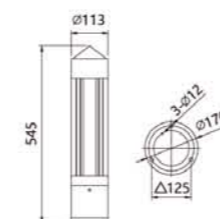
Lamp: LED COB
LED Power: 10W
Voltage: 90-260V 50/60Hz

Color Temperature

- 3000K
 6000K

LED LAWN LIGHT

- Body: Made of cast aluminum with treatment of corrosion protection and UV-proof powder coating.
- Diffuser: PMMA
- Gasketing: Made of thermostable silica gel to improve protection class.
- Fastener: 304 stainless steel.



DHK-9152

DHK-9152

Lamp: LED
LED Power: 15W
Voltage: 90-260V 50/60Hz

Color Temperature

- 3000K
 6000K





LED LAWN LIGHT

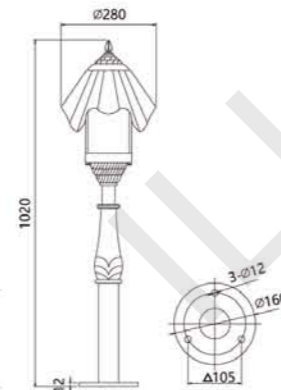
- Body: Made quality stainless steel with treatment of corrosion protection and UV-proof powder coating.
- Diffuser: Frosted glass
- Gasketing: Made of thermostable silica gel to improve protection class.
- Fastener: 304 stainless steel.



DHK-9154

LED LAWN LIGHT

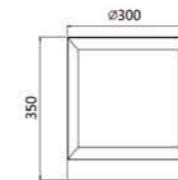
- Body: Made of cast aluminum with treatment of anti-corrosion and UV-proof powder coating.
- Diffuser: PMMA.
- Gasketing: Made of thermostable silica gel to improve protection class.
- Fastener: 304 stainless steel.



DHK-9153

Lamp: LED
LED Power: 15W
Voltage: 90-260V 50/60Hz

Color Temperature
 3000K
 6000K



DHK-9154

Lamp: LED
LED Power: 10W
Voltage: 90-260V 50/60Hz

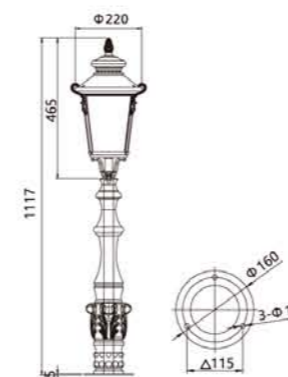
Color Temperature
 3000K
 6000K





LED LAWN LIGHT

- Body: Made of cast aluminum with treatment of corrosion protection and UV-proof powder coating.
- Diffuser: PC.
- Gasketing: Made of thermostable silica gel to improve protection class.
- Fastener: 304 stainless steel.



DHK-9155

DHK-9155

Lamp: LED

LED Power: 10W

Voltage: 90-260V 50/60Hz

Color Temperature

3000K

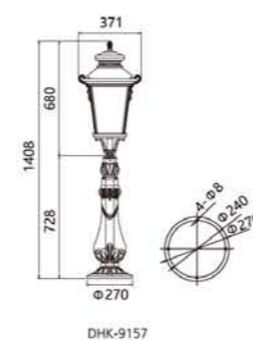
6000K



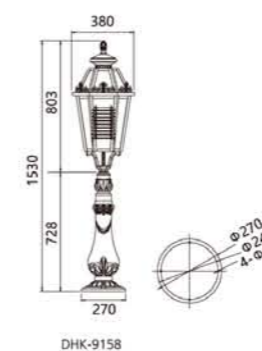
LED LAWN LIGHT

- Body: Made of cast aluminum with treatment of corrosion protection and UV-proof powder coating.
- Diffuser: PC/Clear glass.
- Reflector: Made of anodized high pure aluminum.
- Gasketing: Made of thermostable silica gel to improve protection class.
- Fastener: 304 stainless steel.

DHK-9156



DHK-9157



DHK-9158

DHK-9157

Lamp: LED
LED Power: 20W
Voltage: 90-260V 50/60Hz

Color Temperature

- 3000K
 6000K

DHK-9158

Lamp: LED
LED Power: 20W
Voltage: 90-260V 50/60Hz

Color Temperature

- 3000K
 6000K



DHK-9157



DHK-9158



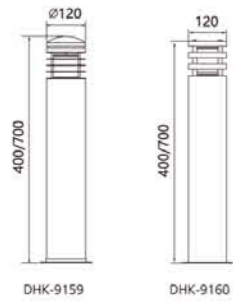
LED LAWN LIGHT

- Body: Granite & Stainless steel
- Diffuser: PC
- Gasketing: Made of thermostable silica gel to improve protection class.
- Fastener: 304 stainless steel.



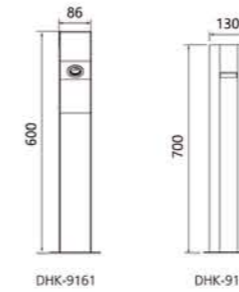
LED LAWN LIGHT

- Body: Granite & Stainless steel
- Diffuser: Glass
- Gasketing: Made of thermostable silica gel to improve protection class.
- Fastener: 304 stainless steel.



DHK-9159

DHK-9160



DHK-9161



DHK-9162

DHK-9159

Lamp: LED
LED Power: 10W
Voltage: 90-260V 50/60Hz

Color Temperature

- 3000K
- 6000K

DHK-9160

Lamp: LED
LED Power: 10W
Voltage: 90-260V 50/60Hz

Color Temperature

- 3000K
- 6000K

DHK-9161

Lamp: LED
LED Power: 10W
Voltage: 90-260V 50/60Hz

Color Temperature

- 3000K
- 6000K

DHK-9162

Lamp: LED
LED Power: 4W
Voltage: 90-260V 50/60Hz

Color Temperature

- 3000K
- 6000K



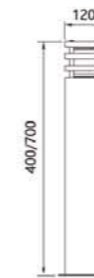
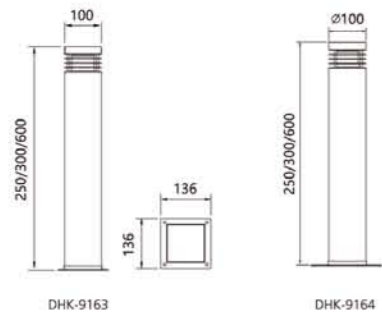
LED LAWN LIGHT

- Body: Burmese teak & Stainless steel
- Diffuser: PC
- Gasketing: Made of thermostable silica gel to improve protection class.
- Fastener: 304 stainless steel.



LED LAWN LIGHT

- Body: Sandstone & Stainless steel
- Diffuser: PC
- Gasketing: Made of thermostable silica gel to improve protection class.
- Fastener: 304 stainless steel.



DHK-9163

Lamp: LED
LED Power: 5W
Voltage: 90-260V 50/60Hz

Color Temperature

- 3000K
- 6000K

DHK-9164

Lamp: LED
LED Power: 5W
Voltage: 90-260V 50/60Hz

Color Temperature

- 3000K
- 6000K

DHK-9165

Lamp: LED
LED Power: 5W
Voltage: 90-260V 50/60Hz

Color Temperature

- 3000K
- 6000K



LED LAWN LIGHT

- Body:Stainless steel
- Diffuser:PC
- Gasketing:Made of thermostable silica gel to improve protection class.
- Fastener:304 stainless steel.



LED LAWN LIGHT

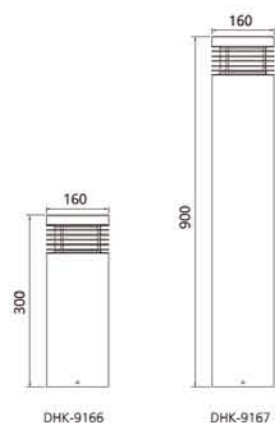
- Body:Stainless steel
- Diffuser:Clear glass
- Gasketing:Made of thermostable silica gel to improve protection class.
- Fastener:304 stainless steel.



DHK-9168



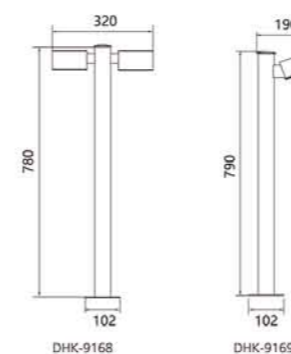
DHK-9169



DHK-9166



DHK-9167



DHK-9168

Lamp: LED
LED Power: 6Wx2
Voltage: 90-260V 50/60Hz

Color Temperature

- 3000K
- 6000K

DHK-9169

Lamp: LED
LED Power: 6W
Voltage: 90-260V 50/60Hz

Color Temperature

- 3000K
- 6000K

DHK-9166

Lamp: LED
LED Power: 5W
Voltage: 90-260V 50/60Hz

Color Temperature

- 3000K
- 6000K

DHK-9167

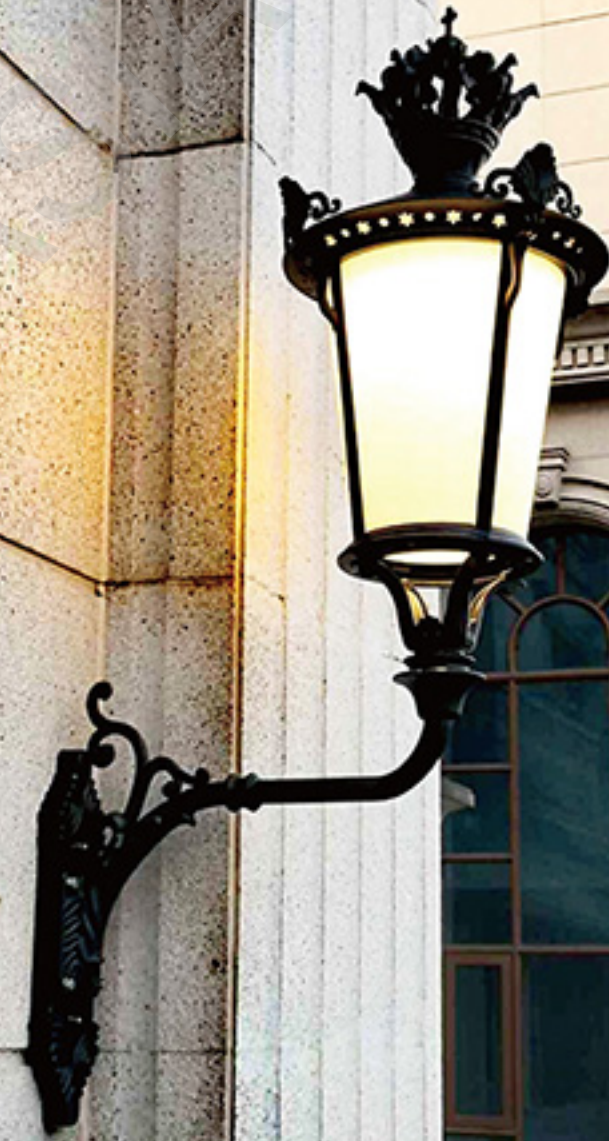
Lamp: LED
LED Power: 10W
Voltage: 90-260V 50/60Hz

Color Temperature

- 3000K
- 6000K



WALL LIGHT SERIES





DHB-1205/DHB-1206/DHB-1207

- Body: Made of cast aluminum with treatment of corrosion protection and UV-proof powder coating.
- Diffuser: Opal PC
- Gasketing: Made of thermostable silica gel to impregnation glass.
- Fastener: 304 stainless steel.

- Sand Black
- Dark Grey
- Sand Silver
- Gray Metal Sand Grain

Model NO.	Lamp	Power	Voltage	Color Temperature
DHB-1205	LED	20W	90-260V 50/60Hz	3000K 6000K
DHB-1206	LED	20W		
DHB-1207	LED	20W		



DHB-1205

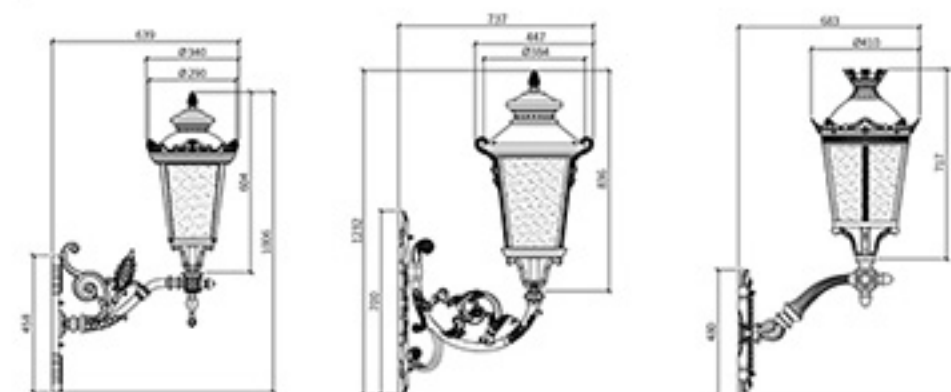


DHB-1207



DHB-1206

Dimensions





DHB-1208/DHB-1209

- Body: Made of aluminum with treatment of corrosion protection and UV-proof powder coating.
- Diffuser: Opal PC
- Gasketing: Made of termostable silica gel to impromtection cass.
- Fastener: 304 stainless steel.

	Sand Black
	Dark Grey
	Sand Silver
	Gray Metal Sand Grain

Model NO.	Lamp	Power	Voltage	Color Temperatur
DHB-1208	LED	20W	90-260V 50/60Hz	<input checked="" type="checkbox"/> 3000K <input type="checkbox"/> 6000K
DHB-1209	LED	20W		

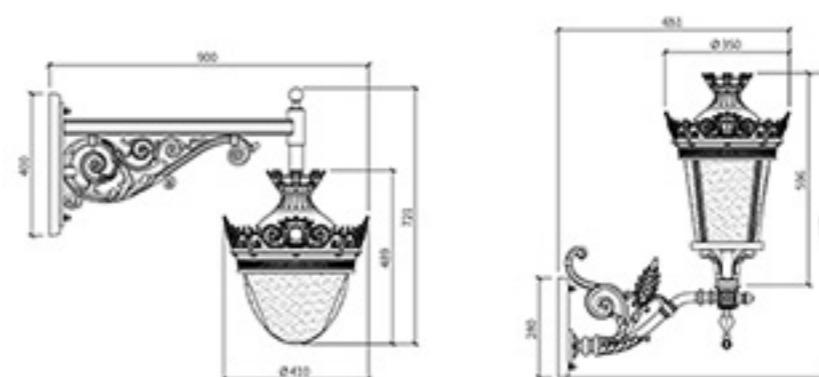


DHB-1208



DHB-1209

Dimensions



Wall Light Series

DHB-1210/DHB-1211

- Body: Made of aluminum with treatment of corrosion protection and UV-proof powder coating.
- Diffuser: PC
- Gasketing: Made of thermostable silica gel to impetration cass.
- Fastener: 304 stainless steel.

	Sand Black
	Dark Grey
	Sand Silver
	Gray Metal Sand Grain

Model NO.	Lamp	Power	Voltage	Color Temperature
DHB-1210	LED	20W	90-260V 50/60Hz	<input type="checkbox"/> 3000K <input type="checkbox"/> 6000K
DHB-1211	LED	20W		

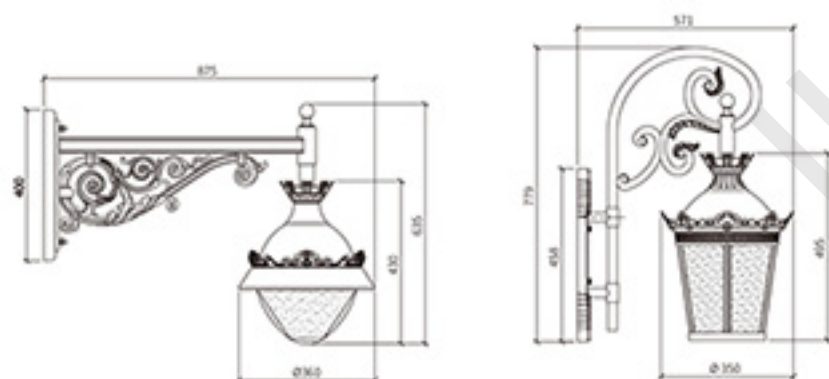


DHB-1210



DHB-1211

Dimensions



DHB-1384/DHB-1385

- Body: Made of aluminum with treatment of corrosion protection and UV-proof powder coating.
- Diffuser: PC
- Gasketing: Made of thermostable silica gel to impetration cass.
- Fastener: 304 stainless steel.

	Sand Black
	Dark Grey
	Sand Silver
	Gray Metal Sand Grain

Model NO.	Lamp	Power	Voltage	Color Temperature
DHB-1384	LED	20W	90-260V 50/60Hz	<input type="checkbox"/> 3000K <input type="checkbox"/> 6000K
DHB-1385	LED	20W		



DHB-1384



DHB-1385

Dimensions





DHB-1212/DHB-1213

- Body: Made of stainless steel with treatment of corrosion protection and UV-proof powder coating.
- Diffuser: Artificial marble
- Gasketing: Made of thermostable silica gel to impromtection cass.
- Fastener: 304 stainless steel.

- Sand Black
- Dark Grey
- Sand Silver
- Gray Metal Sand Grain

Model NO.	Lamp	Power	Voltage	Color Temperature
DHB-1212	LED	32W	90-260V 50/60Hz	<input checked="" type="checkbox"/> 3000K <input type="checkbox"/> 6000K
DHB-1213	LED	48W		

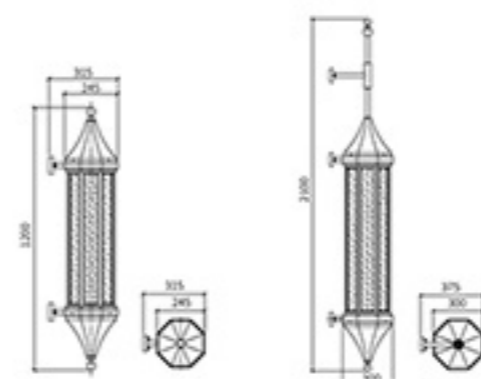


DHB-1212



DHB-1213

Dimensions





DHB-1214/DHB-1215

- Body: Made of stainless steel with treatment of corrosion protection and UV-proof powder coating.
- Diffuser: Artificial marble/PMMA
- Gasketing: Made of termostable silica gel to impromtection cass.
- Fastener: 304 stainless steel.

- Sand Black
- Dark Grey
- Sand Silver
- Gray Metal Sand Grain

Model NO.	Lamp	Power	Voltage	Color Temperature
DHB-1214	LED	24W	90-260V 50/60Hz	<input type="checkbox"/> 3000K <input type="checkbox"/> 6000K
DHB-1215	LED	16W		

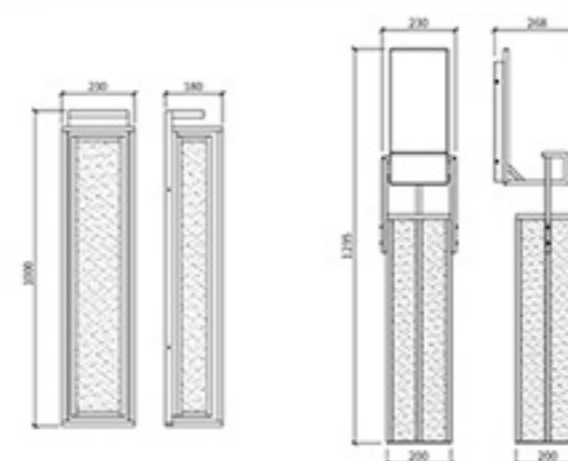


DHB-1214



DHB-1215

Dimensions





DHB-1216

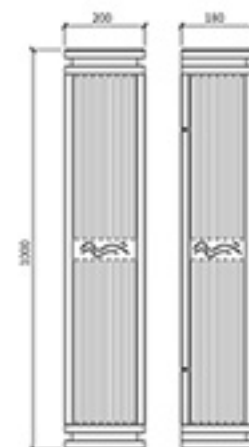
- Body: Made of stainless steel with treatment of corrosion protection and UV-proof powder coating.
- Diffuser: Artificial marble/PMMA
- Gasketing: Made of termostable silica gel to impromtection cass.
- Fastener: 304 stainless steel.

	Sand Black
	Dark Grey
	Sand Silver
	Gray Metal Sand Grain

Lamp	Power	Voltage	Color Temperature
LED	24W	90-260V 50/60Hz	<input checked="" type="checkbox"/> 3000K <input type="checkbox"/> 6000K



Dimensions





DHB-1217/DHB-1218/DHB-1219

- Body: Made of stainless steel with treatment of corrosion protection and UV-proof powder coating.
- Diffuser: PMMA
- Gasketing: Made of thermostable silica gel to impregnation glass.
- Fastener: 304 stainless steel.

- Sand Black
- Dark Grey
- Sand Silver
- Gray Metal Sand Grain

Model NO.	Lamp	Power	Voltage	Color Temperature
DHB-1217	LED	24W	90-260V 50/60Hz	3000K 6000K
DHB-1218	LED	24W		
DHB-1219	LED	20W		



DHB-1217

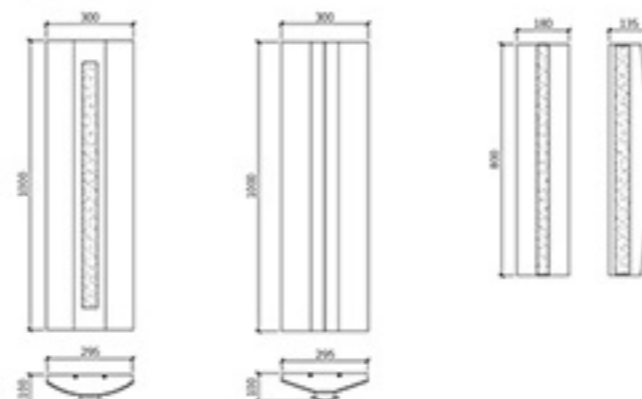


DHB-1219



DHB-1218

Dimensions





DHB-1220

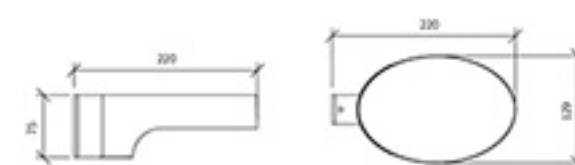
- Body: Made of cast aluminum with treatment of corrosion protection and UV-proof powder coating.
- Diffuser: Clear glass
- Gasketing: Made of thermostable silica gel to impregnation cass.
- Fastener: 304 stainless steel.

- Sand Black
- Dark Grey
- Sand Silver
- Gray Metal Sand Grain

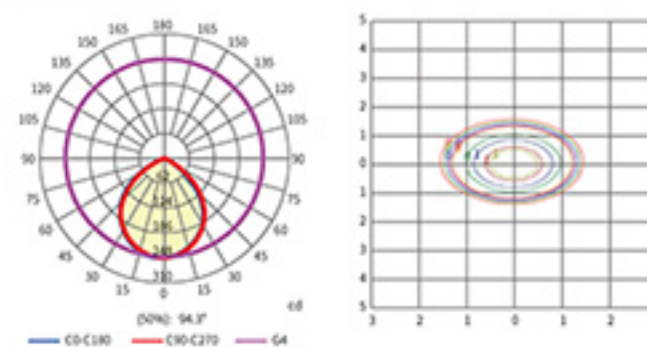
Lamp	Power	Voltage	Color Temperature
LED	10W	90-260V 50/60Hz	3000K 6000K



Dimensions



Photometric Data





DHB-1221/DHB-1222/DHB-1223

- Body: Made of cast aluminum with treatment of corrosion protection and UV-proof powder coating.
- Diffuser: Gass/PC/PMMA
- Gasketing: Made of termostable silica gel to improtection cass.
- Fastener: 304 stainless steel.

-  Sand Black
-  Dark Grey
-  Sand Silver
-  Gray Metal Sand Grain

Model NO.	Lamp	Power	Voltage	Color Temperature
DHB-1221	LED	3W	90-260V 50/60Hz	<input type="checkbox"/> 3000K <input type="checkbox"/> 6000K
DHB-1222	LED	3W		
DHB-1223	LED	3W		



DHB-1221

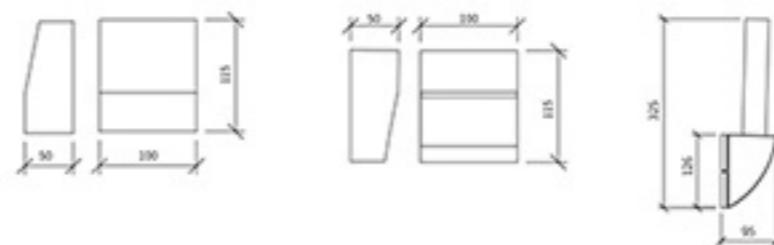


DHB-1222



DHB-1223

Dimensions

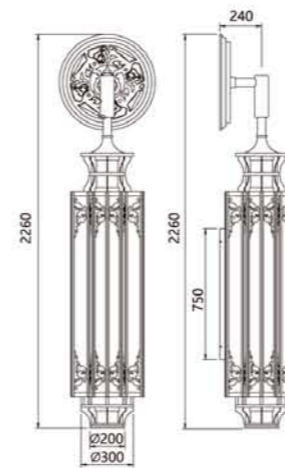


LED WALL LIGHT

- Body: Made of stainless steel with treatment of corrosion protection and UV-proof powder coating.
- Diffuser: Artificial marble, glass.
- Gasketing: Made of thermostable silica gel to improve protection class.
- Fastener: 304 stainless steel.



DHK-9170



DHK-9170

Lamp: LED+T5

LED Power: 85W

Voltage: 90-260V 50/60Hz

Color Temperature

3000K

6000K

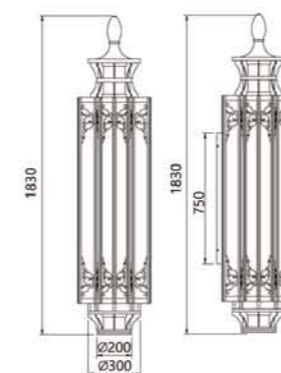


LED WALL LIGHT

- Body: Made of stainless steel with treatment of corrosion protection and UV-proof powder coating.
- Diffuser: Artificial marble, glass.
- Gasketing: Made of thermostable silica gel to improve protection class.
- Fastener: 304 stainless steel.



DHK-9171



DHK-9171

Lamp: LED+T5

LED Power: 72W

Voltage: 90-260V 50/60Hz

Color Temperature

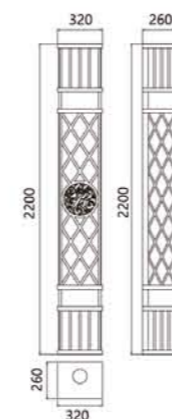
3000K

6000K



LED WALL LIGHT

- Body: Made of stainless steel with treatment of corrosion protection and UV-proof powder coating.
- Diffuser: Artificial marble.
- Gasketing: Made of thermostable silica gel to improve protection class.
- Fastener: 304 stainless steel.



DHK-9172

Lamp: LED+T5

LED Power: 72W

Voltage: 90-260V 50/60Hz

Color Temperature

3000K

6000K



DHK-9172

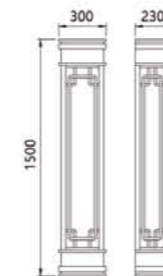


LED WALL LIGHT

- Body: Made of stainless steel with treatment of corrosion protection and UV-proof powder coating.
- Diffuser: Artificial marble.
- Gasketing: Made of thermostable silica gel to improve protection class.
- Fastener: 304 stainless steel.



DHK-9173



DHK-9173

Lamp: T5

LED Power: 54W

Voltage: 90-260V 50/60Hz

Color Temperature

 3000K

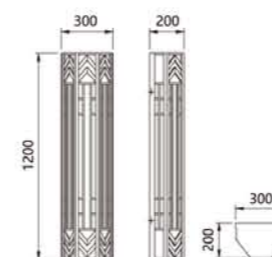
 6000K


LED WALL LIGHT

- Body: Made of stainless steel with treatment of corrosion protection and UV-proof powder coating.
- Diffuser: Artificial marble.
- Gasketing: Made of thermostable silica gel to improve protection class.
- Fastener: 304 stainless steel.



DHK-9174



DHK-9174

Lamp: T5

LED Power: 36W

Voltage: 90-260V 50/60Hz

Color Temperature

 3000K

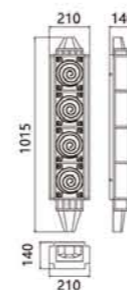
 6000K


LED WALL LIGHT

- Body: Made of stainless steel with treatment of corrosion protection and UV-proof powder coating.
- Diffuser: Artificial marble.
- Gasketing: Made of thermostable silica gel to improve protection class.
- Fastener: 304 stainless steel.



DHK-9175



DHK-9175

Lamp: T5

LED Power: 36W

Voltage: 90-260V 50/60Hz

Color Temperature

 3000K

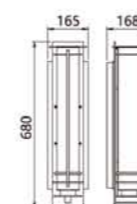
 6000K


LED WALL LIGHT

- Body: Made of stainless steel with treatment of corrosion protection and UV-proof powder coating.
- Diffuser: Frosted glass.
- Gasketing: Made of thermostable silica gel to improve protection class.
- Fastener: 304 stainless steel.



DHK-9176



DHK-9176

Lamp: LED

LED Power: 20W

Voltage: 90-260V 50/60Hz

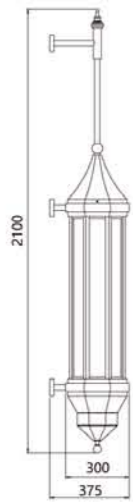
Color Temperature

 3000K

 6000K


LED WALL LIGHT

- Body: Made of stainless steel with treatment of corrosion protection and UV-proof powder coating.
- Diffuser: Artificial marble.
- Gasketing: Made of thermostable silica gel to improve protection class.
- Fastener: 304 stainless steel.



DHK-9177

DHK-9177

Lamp: T5
LED Power: 24W
Voltage: 90-260V 50/60Hz

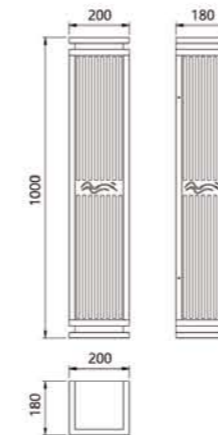
Color Temperature

- 3000K
- 6000K



LED WALL LIGHT

- Body: Made of stainless steel with treatment of corrosion protection and UV-proof powder coating.
- Diffuser: Artificial marble.
- Gasketing: Made of thermostable silica gel to improve protection class.
- Fastener: 304 stainless steel.



DHK-9178

DHK-9178

Lamp: T5
LED Power: 36W
Voltage: 90-260V 50/60Hz

Color Temperature

- 3000K
- 6000K





DHK-9179



DHK-9180



LED WALL LIGHT

- Body: Made of stainless steel with treatment of corrosion protection and UV-proof powder coating.
- Diffuser: Artificial marble, glass.
- Gasketing: Made of thermostable silica gel to improve protection class.
- Fastener: 304 stainless steel.



DHK-9181



DHK-9182

LED WALL LIGHT

- Body: Made of stainless steel with treatment of corrosion protection and UV-proof powder coating.
- Diffuser: Artificial marble, glass.
- Gasketing: Made of thermostable silica gel to improve protection class.
- Fastener: 304 stainless steel.

DHK-9181

Lamp: T5
LED Power: 36W
Voltage: 90-260V 50/60Hz

Color Temperature
 3000K
 6000K

DHK-9182

Lamp: LED+T5
LED Power: 80W
Voltage: 90-260V 50/60Hz

Color Temperature
 3000K
 6000K

DHK-9179

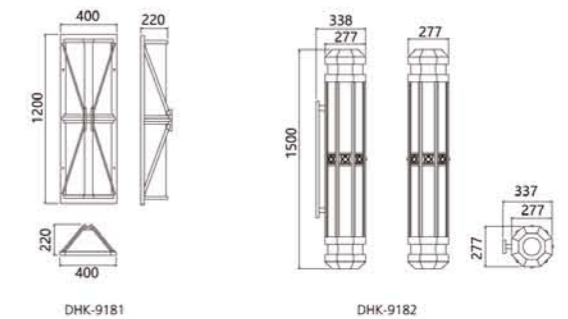
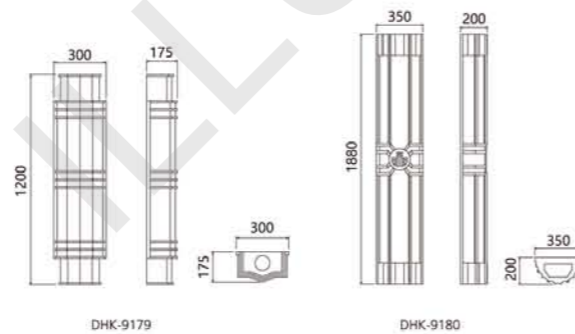
Lamp: LED+T5
LED Power: 60W
Voltage: 90-260V 50/60Hz

Color Temperature
 3000K
 6000K

DHK-9180

Lamp: LED+T5
LED Power: 85W
Voltage: 90-260V 50/60Hz

Color Temperature
 3000K
 6000K





DHK-9183

DHK-9184

LED WALL LIGHT

- Body: Made of stainless steel with treatment of corrosion protection and UV-proof powder coating.
- Diffuser: Glass/Artificial marble.
- Gasketing: Made of thermostable silica gel to improve protection class.
- Fastener: 304 stainless steel.

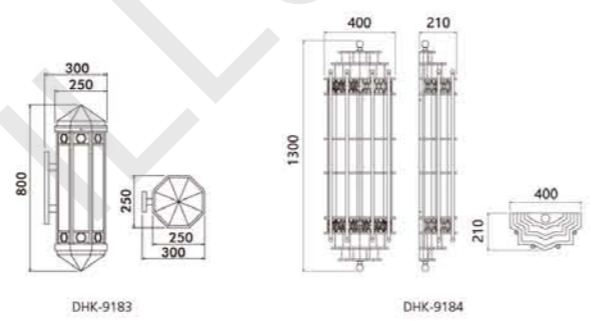
LED WALL LIGHT

- Body: Made of cast aluminum with treatment of corrosion protection and UV-proof powder coating.
- Diffuser: Artificial marble.
- Gasketing: Made of thermostable silica gel to improve protection class.
- Fastener: 304 stainless steel.



DHK-9185

DHK-9183	Color Temperature
Lamp: T5	<input type="checkbox"/> 3000K
LED Power: 16W	<input type="checkbox"/> 6000K
Voltage: 90-260V 50/60Hz	



DHK-9184	Color Temperature
Lamp: T5	<input type="checkbox"/> 3000K
LED Power: 36W	<input type="checkbox"/> 6000K
Voltage: 90-260V 50/60Hz	

DHK-9185	Color Temperature
Lamp: T5	<input type="checkbox"/> 3000K
LED Power: 54W	<input type="checkbox"/> 6000K
Voltage: 90-260V 50/60Hz	





DHK-9186



LED WALL LIGHT

- Body: Made of cast aluminum with treatment of corrosion protection and UV-proof powder coating.
- Diffuser: PMMA
- Gasketing: Made of thermostable silica gel to improve protection class.
- Fastener: 304 stainless steel.

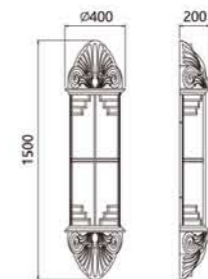
DHK-9186

Lamp: T5
 LED Power: 54W
 Voltage: 90-260V 50/60Hz

Color Temperature
 3000K
 6000K



DHK-9187



LED WALL LIGHT

- Body: Made of cast aluminum with treatment of corrosion protection and UV-proof powder coating.
- Diffuser: Artificial marble.
- Gasketing: Made of thermostable silica gel to improve protection class.
- Fastener: 304 stainless steel.

DHK-9187

Lamp: T5
 LED Power: 54W
 Voltage: 90-260V 50/60Hz

Color Temperature
 3000K
 6000K



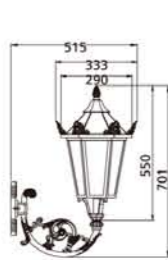
LED WALL LIGHT

- Body: Made of cast aluminum with treatment of corrosion protection and UV-proof powder coating.
- Diffuser: Frosted glass/PC.
- Gasketing: Made of thermostable silica gel to improve protection class.
- Fastener: 304 stainless steel.



DHK-9188

DHK-9189



DHK-9188



DHK-9189

DHK-9188

Lamp: LED
LED Power: 15W
Voltage: 90-260V 50/60Hz

Color Temperature

- 3000K
- 6000K

DHK-9189

Lamp: LED
LED Power: 15W
Voltage: 90-260V 50/60Hz

Color Temperature

- 3000K
- 6000K



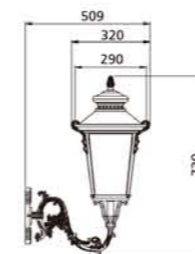
LED WALL LIGHT

- Body: Made of cast aluminum with treatment of corrosion protection and UV-proof powder coating.
- Diffuser: PC.
- Gasketing: Made of thermostable silica gel to improve protection class.
- Fastener: 304 stainless steel.



DHK-9190

DHK-9191



DHK-9190



DHK-9191

DHK-9190

Lamp: LED
LED Power: 15W
Voltage: 90-260V 50/60Hz

Color Temperature

- 3000K
- 6000K

DHK-9191

Lamp: LED
LED Power: 20W
Voltage: 90-260V 50/60Hz

Color Temperature

- 3000K
- 6000K

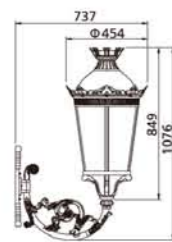


LED WALL LIGHT

- Body: Made of cast aluminum with treatment of corrosion protection and UV-proof powder coating.
- Diffuser: PC.
- Gasketing: Made of thermostable silica gel to improve protection class.
- Fastener: 304 stainless steel.



DHK-9192



DHK-9192

Lamp: LED
LED Power: 30W
Voltage: 90-260V 50/60Hz

Color Temperature

- 3000K
- 6000K

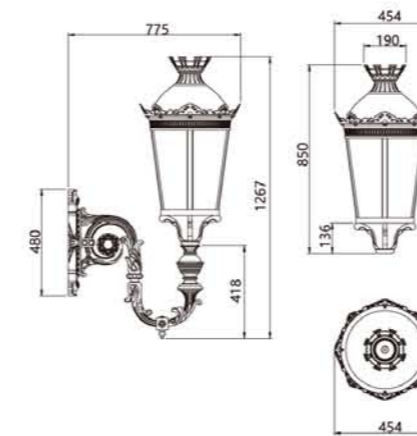


LED WALL LIGHT

- Body: Made of cast aluminum with treatment of anti-corrosion and UV-proof powder coating.
- Diffuser: PC.
- Gasketing: Made of thermostable silica gel to improve protection class.
- Fastener: 304 stainless steel.



DHK-9193



DHK-9193

Lamp: LED
LED Power: 30W
Voltage: 90-260V 50/60Hz

Color Temperature

- 3000K
- 6000K

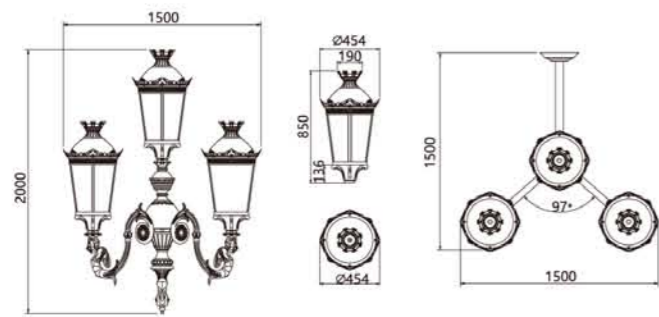


LED WALL LIGHT

- Body: Made of cast aluminum with treatment of anti-corrosion and UV-proof powder coating.
- Diffuser: PC.
- Gasketing: Made of thermostable silica gel to improve protection class.
- Fastener: 304 stainless steel.



DHK-9194



DHK-9194

Lamp: LED
 LED Power: 30Wx3
 Voltage: 90-260V 50/60Hz

Color Temperature

- 3000K
- 6000K

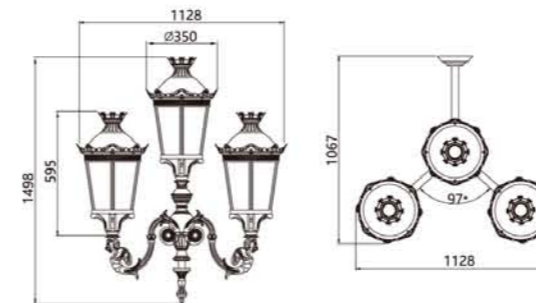


LED WALL LIGHT

- Body: Made of cast aluminum with treatment of anti-corrosion and UV-proof powder coating.
- Diffuser: PC.
- Gasketing: Made of thermostable silica gel to improve protection class.
- Fastener: 304 stainless steel.



DHK-9195



DHK-9195

Lamp: LED
 LED Power: 20Wx3
 Voltage: 90-260V 50/60Hz

Color Temperature

- 3000K
- 6000K



LED WALL LIGHT

- Body: Made of cast aluminum with treatment of anti-corrosion and UV-proof powder coating.
- Diffuser: PC.
- Gasketing: Made of thermostable silica gel to improve protection class.
- Fastener: 304 stainless steel.



DHK-9196



DHK-9196

Lamp: LED

LED Power: 30W

Voltage: 90-260V 50/60Hz

Color Temperature

3000K

6000K

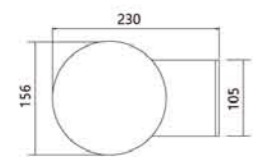


LED WALL LIGHT

- Body: Made of cast aluminum with treatment of corrosion protection and UV-proof powder coating.
- Diffuser: Frosted glass.
- Gasketing: Made of thermostable silica gel to improve protection class.
- Fastener: 304 stainless steel.



DHK-9197



DHK-9197

Lamp: LED
 LED Power: 7W
 Voltage: 90-260V 50/60Hz

Color Temperature

- 3000K
- 6000K

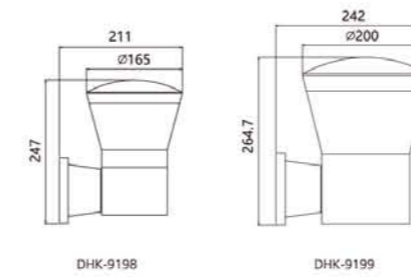


LED WALL LIGHT

- Body: Made of cast aluminum with treatment of corrosion protection and UV-proof powder coating.
- Diffuser: PC.
- Reflector: Made of anodized high pure aluminum.
- Gasketing: Made of thermostable silica gel to improve protection class.
- Fastener: 304 stainless steel.



DHK-9198
 DHK-9199



DHK-9198/DHK-9199

Lamp: LED
 LED Power: 7W/9W
 Voltage: 90-260V 50/60Hz

Color Temperature

- 3000K
- 6000K

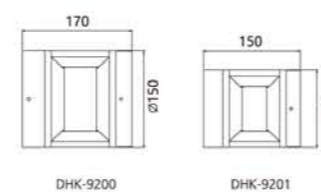


LED WALL LIGHT

- Body: Made of cast aluminum with treatment of corrosion protection and UV-proof powder coating.
- Diffuser: Glass.
- Gasketing: Made of thermostable silica gel to improve protection class.
- Fastener: 304 stainless steel.



DHK-9200
DHK-9201



DHK-9200/DHK-9201

Lamp: LED
LED Power: 5W
Voltage: 90-260V 50/60Hz

Color Temperature

- 3000K
 6000K





LED WALL LIGHT

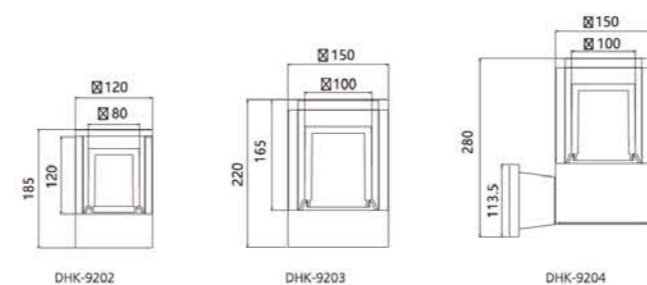
- Body: Made of cast aluminum with treatment of corrosion protection and UV-proof powder coating.
- Diffuser: PMMA.
- Gasketing: Made of thermostable silica gel to improve protection class.
- Fastener: 304 stainless steel.



DHK-9202
DHK-9203



DHK-9204



DHK-9202/DHK-9203

Lamp: LED COB
LED Power: 5W/10W
Voltage: 90-260V 50/60Hz

Color Temperature

- 3000K
 6000K

DHK-9204

Lamp: LED COB
LED Power: 10W
Voltage: 90-260V 50/60Hz

Color Temperature

- 3000K
 6000K



LED WALL LIGHT

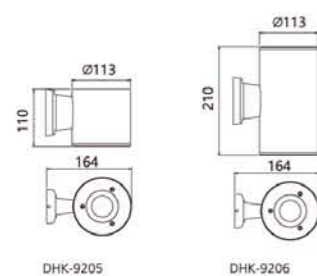
- Body: Made of cast aluminum with treatment of corrosion protection and UV-proof powder coating.
- Diffuser: Clear glass.
- Gasketing: Made of thermostable silica gel to improve protection class.
- Fastener: 304 stainless steel.



DHK-9205



DHK-9206



DHK-9205

Lamp: LED COB
LED Power: 1X10W
Voltage: 90-260V 50/60Hz

Color Temperature

- 3000K
- 6000K

DHK-9206

Lamp: LED COB
LED Power: 2x10W
Voltage: 90-260V 50/60Hz

Color Temperature

- 3000K
- 6000K

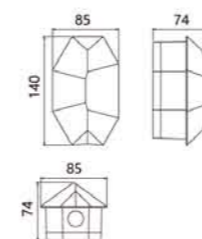


LED WALL LIGHT

- Body: Made of cast aluminum with treatment of corrosion protection and UV-proof powder coating.
- Diffuser: PMMA.
- Gasketing: Made of thermostable silica gel to improve protection class.
- Fastener: 304 stainless steel.



DHK-9207



DHK-9207

Lamp: LED
LED Power: 2x1W
Voltage: 90-260V 50/60Hz

Color Temperature

- 3000K
- 6000K



LED WALL LIGHT

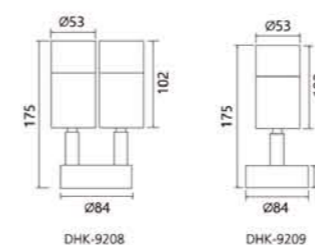
- Body: Made of cast aluminum with treatment of corrosion protection and UV-proof powder coating.
- Diffuser: Clear glass.
- Gasketing: Made of thermostable silica gel to improve protection class.
- Fastener: 304 stainless steel.



DHK-9208



DHK-9209



DHK-9208

Lamp: LED
LED Power: 2x3W
Voltage: 90-260V 50/60Hz

Color Temperature

- 3000K
 6000K

DHK-9209

Lamp: LED
LED Power: 3W
Voltage: 90-260V 50/60Hz

Color Temperature

- 3000K
 6000K



LED WALL LIGHT

- Body: Made of cast aluminum with treatment of corrosion protection and UV-proof powder coating.
- Diffuser: PMMA/PC.
- Gasketing: Made of thermostable silica gel to improve protection class.
- Fastener: 304 stainless steel.



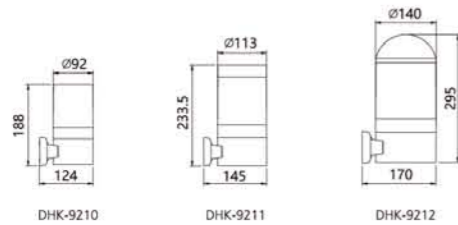
DHK-9210



DHK-9211



DHK-9212



LED WALL LIGHT

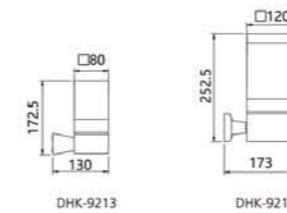
- Body: Made of cast aluminum with treatment of corrosion protection and UV-proof powder coating.
- Diffuser: PMMA/PC.
- Gasketing: Made of thermostable silica gel to improve protection class.
- Fastener: 304 stainless steel.



DHK-9213



DHK-9214



DHK-9213

DHK-9214

DHK-9213

Lamp: LED
LED Power: LED 4W / E27x1
Voltage: 90-260V 50/60Hz

Color Temperature

- 3000K
- 6000K

DHK-9214

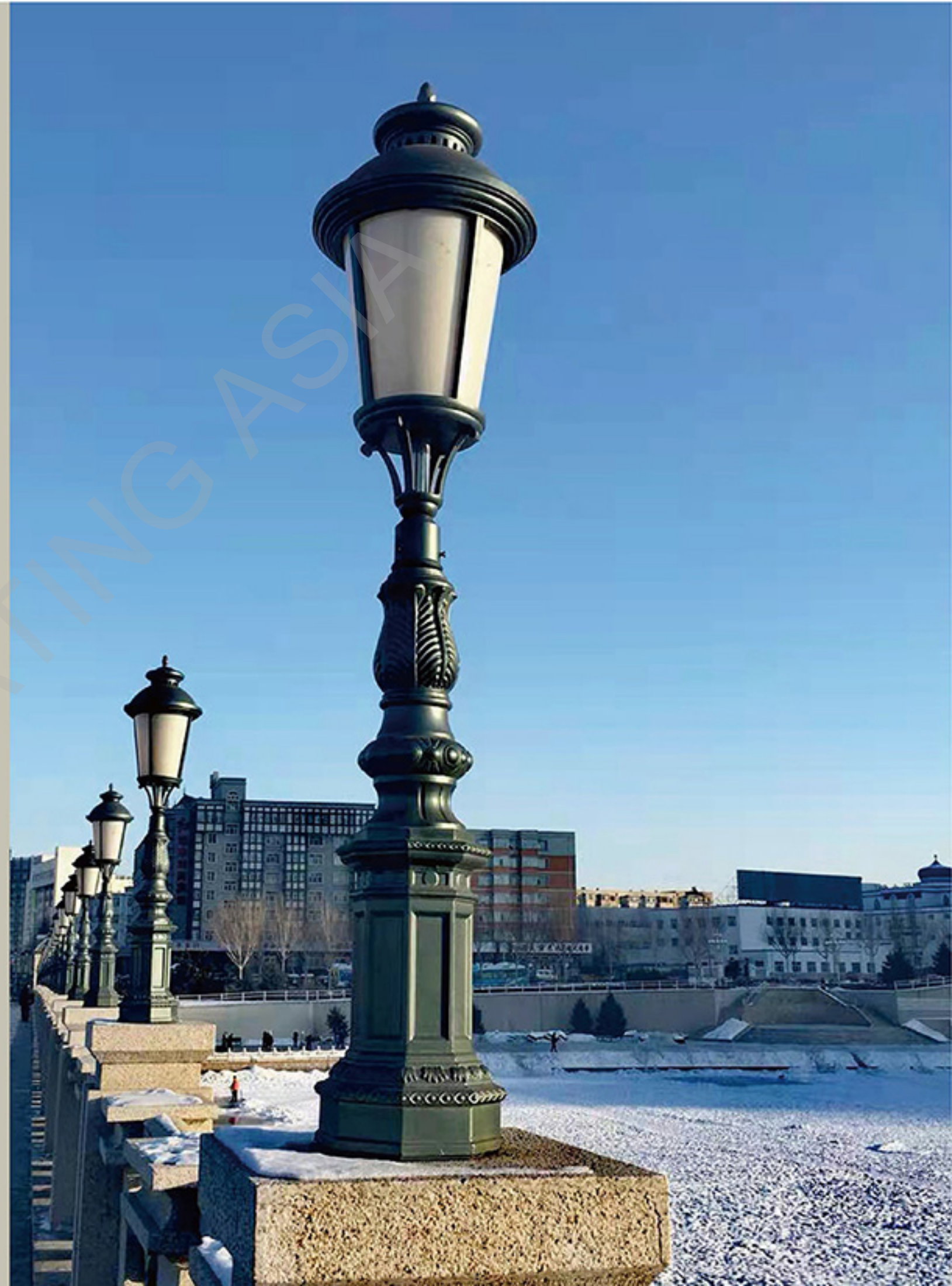
Lamp: LED
LED Power: LED 9W / E27x1
Voltage: 90-260V 50/60Hz

Color Temperature

- 3000K
- 6000K



PILLAR LIGHT SERIES





DHB-1224/DHB-1225

- Body: Made of cast aluminum with treatment of corrosion protection and UV-proof powder coating.
- Diffuser: PC/Glass
- Gasketing: Made of termostable silica gel to impromtection cass.
- Fastener: 304 stainless steel.

- Sand Black
- Dark Grey
- Sand Silver
- Gray Metal Sand Grain

Model NO.	Lamp	Power	Voltage	Color Temperature
DHB-1224	LED	23W	90-260V 50/60Hz	<input checked="" type="checkbox"/> 3000K <input type="checkbox"/> 6000K
DHB-1225	LED	23W		

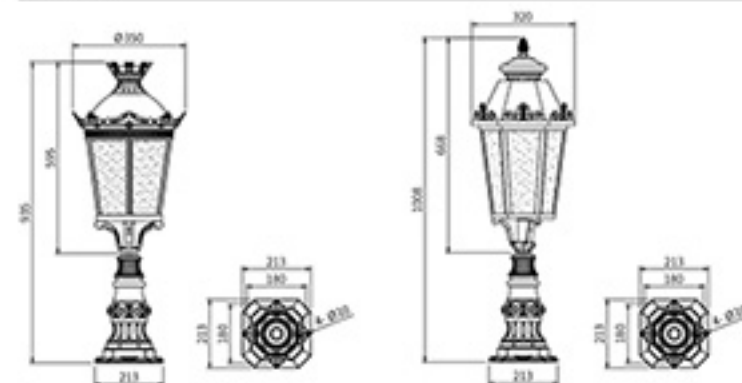


DHB-1224



DHB-1225

Dimensions





DHB-1226/DHB-1227/DHB-1228

- Body: Made of aluminum with treatment of corrosion protection and UV-proof powder coating.
- Diffuser: PC/Glass
- Gasketing: Made of thermostable silica gel to impregnation cass.
- Fastener: 304 stainless steel.

	Sand Black
	Dark Grey
	Sand Silver
	Gray Metal Sand Grain

Model NO.	Lamp	Power	Voltage	Color Temperature
DHB-1226	LED	23W	90-260V 50/60Hz	<input type="checkbox"/> 3000K <input type="checkbox"/> 6000K
DHB-1227	LED	23W		
DHB-1228	LED	23W		



DHB-1226

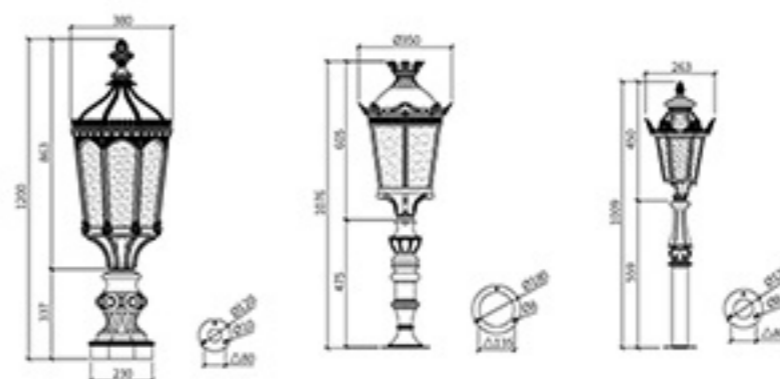


DHB-1227



DHB-1228

Dimensions





DHB-1229/DHB-1230

- Body: Made of stainless steel/iron/aluminum with treatment of corrosion protection and UV-proof powder coating.
- Diffuser: Glass/PC
- Gasketing: Made of termostable silica gel to impromtection cass.
- Fastener: 304 stainless steel.

	Sand Black
	Dark Grey
	Sand Silver
	Gray Metal Sand Grain

Model NO.	Lamp	Power	Voltage	Color Temperature
DHB-1229	LED	12W	90-260V 50/60Hz	<input checked="" type="checkbox"/> 3000K <input type="checkbox"/> 6000K
DHB-1230	LED	23W		

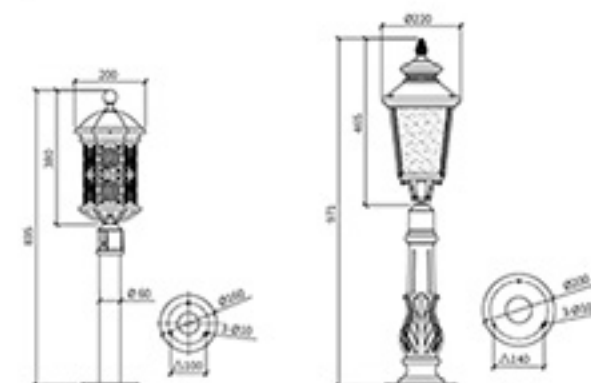


DHB-1230



DHB-1229

Dimensions





DHB-1231/DHB-1232

- Body: Made of stainless steel with treatment of corrosion protection and UV-proof powder coating.
- Diffuser: Glass
- Gasketing: Made of thermostable silica gel to impregnation cass.
- Fastener: 304 stainless steel.

- Sand Black
- Dark Grey
- Sand Silver
- Gray Metal Sand Grain

Model NO.	Lamp	Power	Voltage	Color Temperature
DHB-1231	LED	23W	90-260V 50/60Hz	3000K 6000K
DHB-1232	LED	30W		

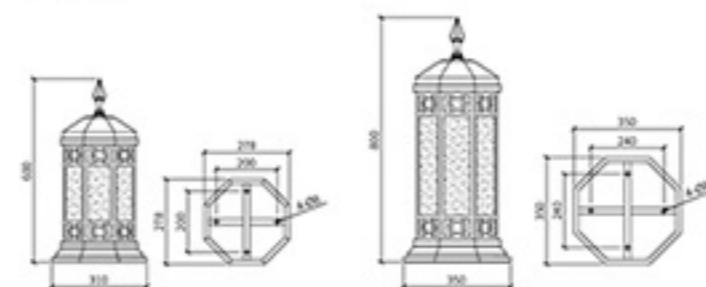


DHB-1231



DHB-1232

Dimensions





DHB-1233/DHB-1234

- Body: Made of stainless steel with treatment of corrosion protection and UV-proof powder coating.
- Diffuser: PMMA
- Gasketing: Made of thermostable silica gel to impromtection cass.
- Fastener: 304 stainless steel.

	Sand Black
	Dark Grey
	Sand Silver
	Gray Metal Sand Grain

Model NO.	Lamp	Power	Voltage	Color Temperature
DHB-1233	LED	9W	90-260V 50/60Hz	<input checked="" type="checkbox"/> 3000K <input type="checkbox"/> 6000K
DHB-1234	LED	12W		

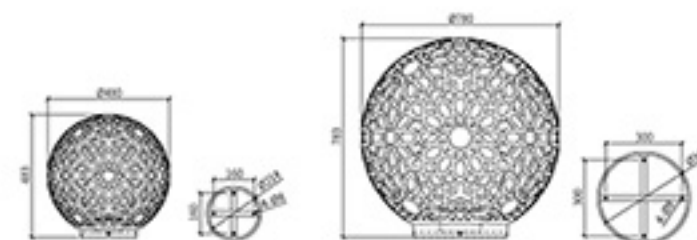


DHB-1233



DHB-1234

Dimensions





DHB-1235

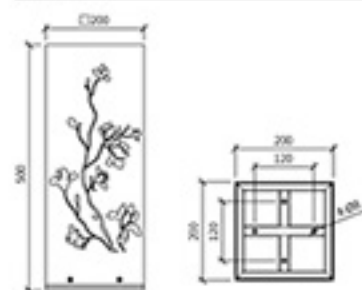
- Body: Made of stainless steel with treatment of corrosion protection and UV-proof powder coating.
- Diffuser: PMMA
- Gasketing: Made of thermostable silica gel to impromtection cass.
- Fastener: 304 stainless steel.

- Sand Black
- Dark Grey
- Sand Silver
- Gray Metal Sand Grain

Lamp	Power	Voltage	Color Temperature
LED	20W	90-260V 50/60Hz	<input checked="" type="checkbox"/> 3000K <input type="checkbox"/> 6000K



Dimensions



Pillar Light Series

DHB-1236/DHB-1237

- Body: Made of stainless steel with treatment of corrosion protection and UV-proof powder coating.
- Diffuser: PMMA
- Gasketing: Made of thermostable silica gel to impromtection cass.
- Fastener: 304 stainless steel.

- Sand Black
- Dark Grey
- Sand Silver
- Gray Metal Sand Grain

Model NO.	Lamp	Power	Voltage	Color Temperature
DHB-1236	LED	23W	90-260V 50/60Hz	3000K 6000K
DHB-1237	LED	30W		



DHB-1238/DHB-1239

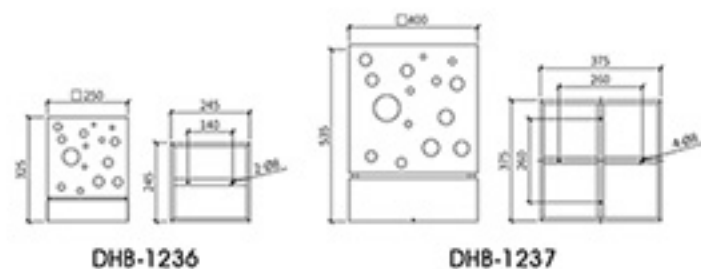
- Body: Made of stainless steel with treatment of corrosion protection and UV-proof powder coating.
- Diffuser: PMMA
- Gasketing: Made of thermostable silica gel to impromtection cass.
- Fastener: 304 stainless steel.

- Sand Black
- Dark Grey
- Sand Silver
- Gray Metal Sand Grain

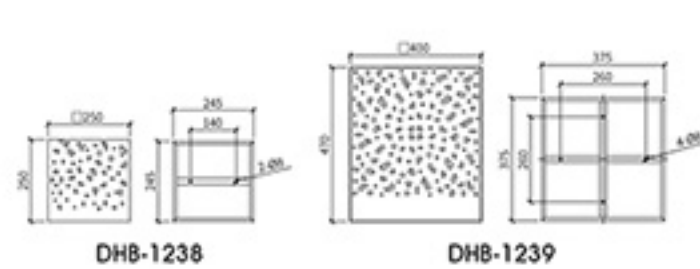
Model NO.	Lamp	Power	Voltage	Color Temperature
DHB-1238	LED	23W	90-260V 50/60Hz	3000K 6000K
DHB-1239	LED	30W		



Dimensions



Dimensions



Pillar Light Series

DHB-1240/DHB-1241

- Body: Made of stainless steel with treatment of corrosion protection and UV-proof powder coating.
- Diffuser: Glass
- Gasketing: Made of termostable silica gel to improtection cass.
- Fastener: 304 stainless steel.

- Sand Black
- Dark Grey
- Sand Silver
- Gray Metal Sand Grain

Model NO.	Lamp	Power	Voltage	Color Temperature
DHB-1240	LED	23W	90-260V 50/60Hz	3000K 6000K
DHB-1241	LED	30W		



DHB-1242/DHB-1243

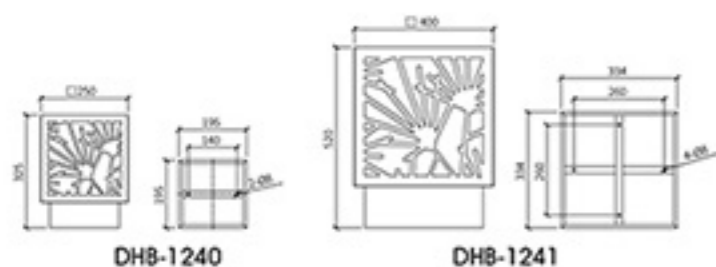
- Body: Made of stainless steel with treatment of corrosion protection and UV-proof powder coating.
- Diffuser: Glass
- Gasketing: Made of termostable silica gel to improtection cass.
- Fastener: 304 stainless steel.

- Sand Black
- Dark Grey
- Sand Silver
- Gray Metal Sand Grain

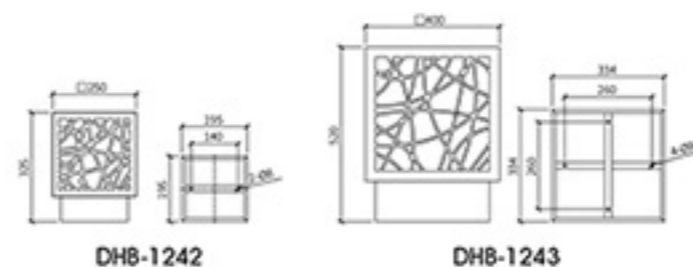
Model NO.	Lamp	Power	Voltage	Color Temperature
DHB-1242	LED	23W	90-260V 50/60Hz	3000K 6000K
DHB-1243	LED	30W		



Dimensions



Dimensions



DHB-1244/DHB-1245

- Body: Made of stainless steel with treatment of corrosion protection and UV-proof powder coating.
- Diffuser: Glass
- Gasketing: Made of termostable silica gel to impromption cass.
- Fastener: 304 stainless steel.

- 材质: 不锈钢制品, 经防腐处理后, 采用UV静电粉末喷涂;
- 透光罩: 玻璃灯罩;
- 密封度: 高温硅化橡胶, 提高防水防尘功能;
- 紧固件: 304不锈钢材质;

- Sand Black 沙黑
- Dark Grey 深灰
- Sand Silver 沙银
- Gray Metal Sand Grain 灰金属砂纹

Model NO. 型号	Lamp 光源	Power 功率	Voltage 电压	Color Temperature 色温
DHB-1244	LED	23W	90-260V 50/60Hz	<input type="checkbox"/> 3000K <input type="checkbox"/> 6000K
DHB-1245	LED	30W		



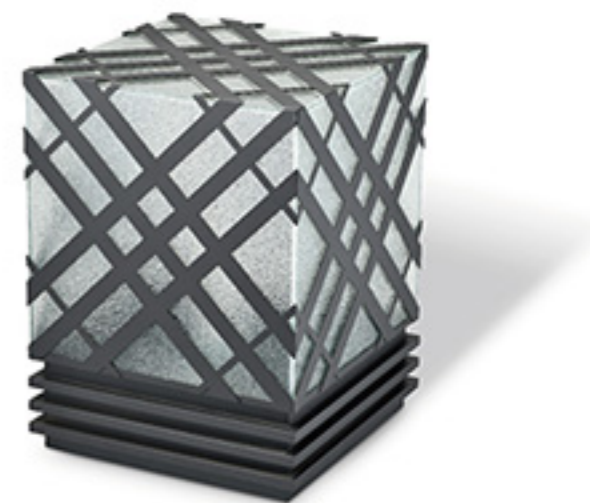
DHB-1246/DHB-1247/DHB-1248

- Body: Made of stainless steel with treatment of corrosion protection and UV-proof powder coating.
- Diffuser: Glass
- Gasketing: Made of termostable silica gel to impromption cass.
- Fastener: 304 stainless steel.

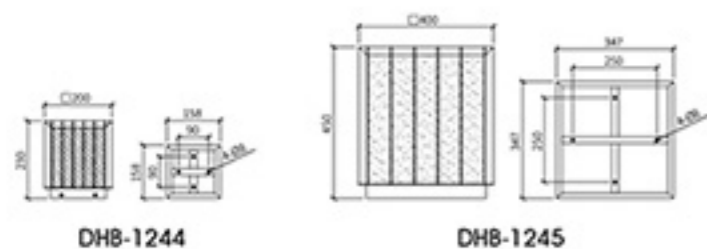
- 材质: 不锈钢制品, 经防腐处理后, 采用UV静电粉末喷涂;
- 透光罩: 玻璃灯罩;
- 密封度: 高温硅化橡胶, 提高防水防尘功能;
- 紧固件: 304不锈钢材质;

- Sand Black 沙黑
- Dark Grey 深灰
- Sand Silver 沙银
- Gray Metal Sand Grain 灰金属砂纹

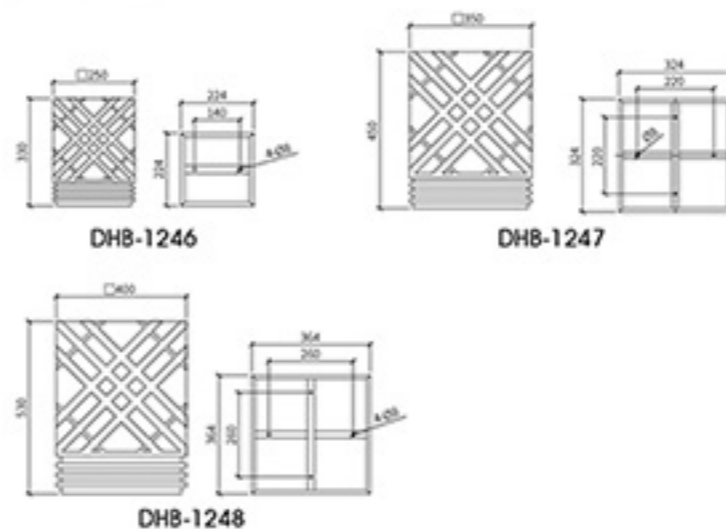
Model NO. 型号	Lamp 光源	Power 功率	Voltage 电压	Color Temperature 色温
DHB-1246	LED	15W	90-260V 50/60Hz	<input type="checkbox"/> 3000K <input type="checkbox"/> 6000K
DHB-1247	LED	20W		
DHB-1248	LED	30W		



Dimensions 尺寸



Dimensions 尺寸





DHB-1249/DHB-1250

- Body: Made of stainless steel with treatment of corrosion protection and UV-proof powder coating.
- Diffuser: Glass
- Gasketing: Made of termostable silica gel to imprompction cass.
- Fastener: 304 stainless steel.

- 材质: 不锈钢制品, 经防腐处理后, 采用UV静电粉末喷涂;
- 透光罩: 玻璃灯罩;
- 密封度: 高温硫化橡胶, 提高防水防尘功能;
- 紧固件: 304不锈钢材质;

- Sand Black 沙黑
- Dark Grey 深灰
- Sand Silver 沙银
- Gray Metal Sand Grain 灰金属砂纹

Model NO. 型号	Lamp 光源	Power 功率	Voltage 电压	Color Temperature 色温
DHB-1249	LED	20W	90-260V 50/60Hz	<input type="checkbox"/> 3000K <input type="checkbox"/> 6000K
DHB-1250	LED	30W		

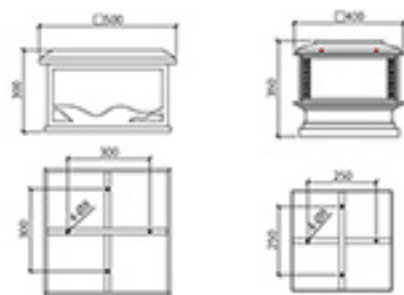


DHB-1249



DHB-1250

Dimensions 尺寸



DHB-1249

DHB-1250



LED PILLAR LIGHT

- Body: Made of stainless steel with treatment of corrosion protection and UV-proof powder coating.
- Diffuser: Artificial marble/PMMA.
- Gasketing: Made of thermostable silica gel to improve protection class.
- Fastener: 304 stainless steel.



DHK-9215

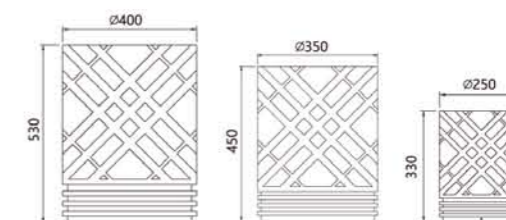
Lamp: LED
LED Power: 20W
Voltage: 90-260V 50/60Hz

Color Temperature 3000K
 6000K



LED PILLAR LIGHT

- Body: Made of stainless steel with treatment of corrosion protection and UV-proof powder coating.
- Diffuser: Frosted glass.
- Gasketing: Made of thermostable silica gel to improve protection class.
- Fastener: 304 stainless steel.



DHK-9216

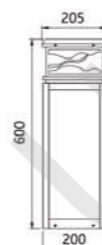
Lamp: LED
LED Power: 12-30W
Voltage: 90-260V 50/60Hz

Color Temperature 3000K
 6000K



LED PILLAR LIGHT

- Body: Made of stainless steel with treatment of corrosion protection and UV-proof powder coating.
- Diffuser: Artificial marble.
- Gasketing: Made of thermostable silica gel to improve protection class.
- Fastener: 304 stainless steel.



DHK-9217

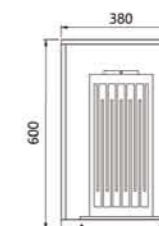
Lamp: LED
LED Power: 9W
Voltage: 90-260V 50/60Hz

Color Temperature 3000K
 6000K



LED PILLAR LIGHT

- Body: Made of stainless steel with treatment of corrosion protection and UV-proof powder coating.
- Diffuser: Artificial marble.
- Gasketing: Made of thermostable silica gel to improve protection class.
- Fastener: 304 stainless steel.



DHK-9218

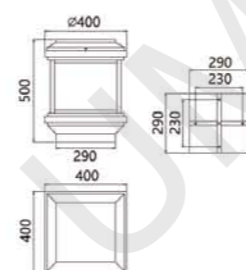
Lamp: LED
LED Power: 20W
Voltage: 90-260V 50/60Hz

Color Temperature 3000K
 6000K



LED PILLAR LIGHT

- Body: Made of stainless steel with treatment of corrosion protection and UV-proof powder coating.
- Diffuser: Frosted glass.
- Gasketing: Made of thermostable silica gel to improve protection class.
- Fastener: 304 stainless steel.



DHK-9219

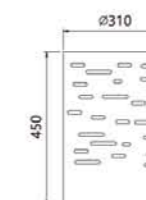
Lamp: LED
LED Power: 30W
Voltage: 90-260V 50/60Hz

Color Temperature 3000K
 6000K



LED PILLAR LIGHT

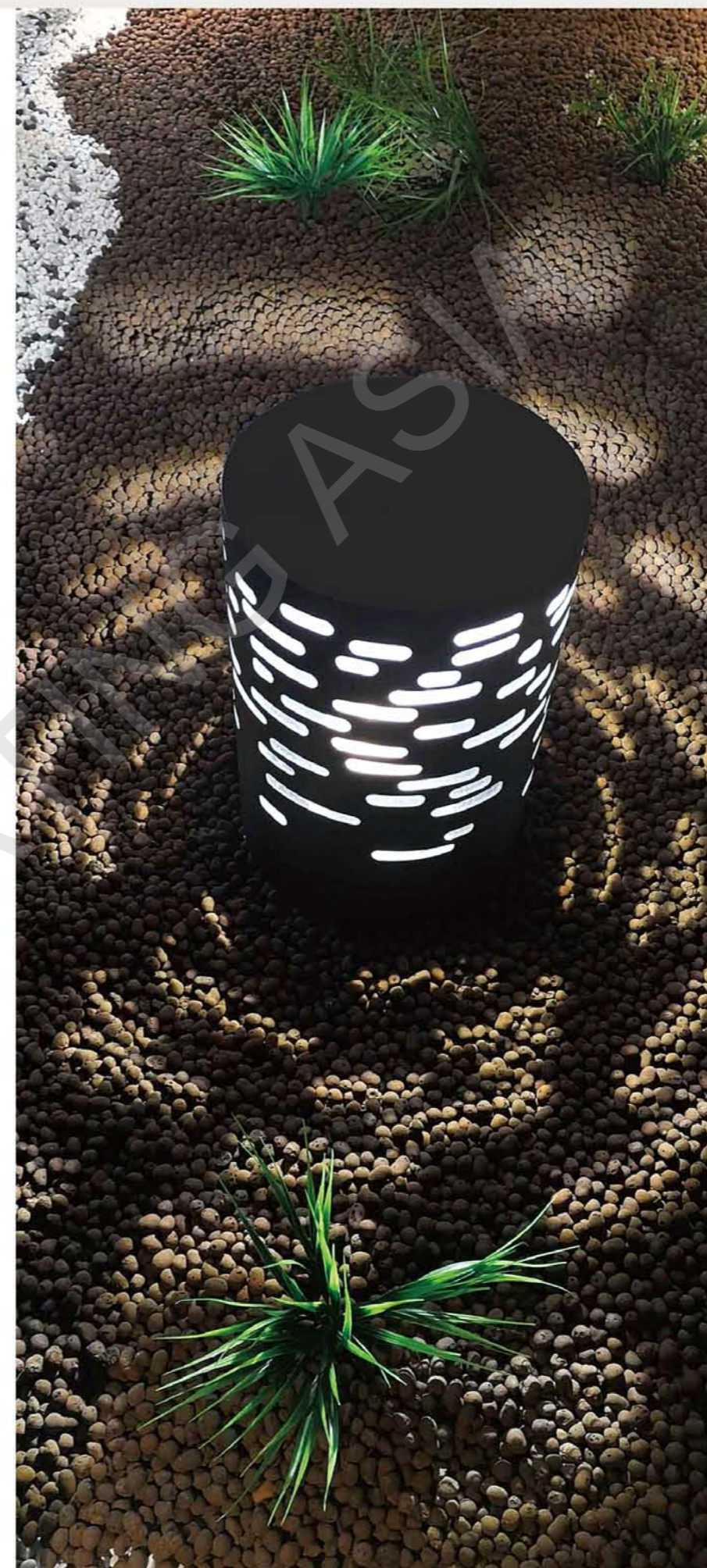
- Body: Made of stainless steel with treatment of corrosion protection and UV-proof powder coating.
- Diffuser: PC.
- Gasketing: Made of thermostable silica gel to improve protection class.
- Fastener: 304 stainless steel.



DHK-9220

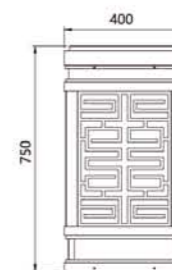
Power: G12 35W
Voltage: 90-260V 50/60Hz

Color Temperature 3000K



LED PILLAR LIGHT

- Body: Made of stainless steel with treatment of corrosion protection and UV-proof powder coating.
- Diffuser: Artificial marble.
- Gasketing: Made of thermostable silica gel to improve protection class.
- Fastener: 304 stainless steel.



DHK-9221

Lamp: LED

LED Power: 30W

Voltage: 90-260V 50/60Hz

Color Temperature

3000K

6000K



LED PILLAR LIGHT

- Body: Made of cast aluminum with treatment of corrosion protection and UV-proof powder coating.
- Diffuser: PC
- Gasketing: Made of thermostable silica gel to improve protection class.
- Fastener: 304 stainless steel.



DHK-9222



DHK-9222

Lamp: LED
LED Power: 15W
Voltage: 90-260V 50/60Hz

Color Temperature

- 3000K
 6000K



LED PILLAR LIGHT

- Body: Made of cast aluminum with treatment of corrosion protection and UV-proof powder coating.
- Diffuser: Frosted glass.
- Gasketing: Made of thermostable silica gel to improve protection class.
- Fastener: 304 stainless steel.



DHK-9223



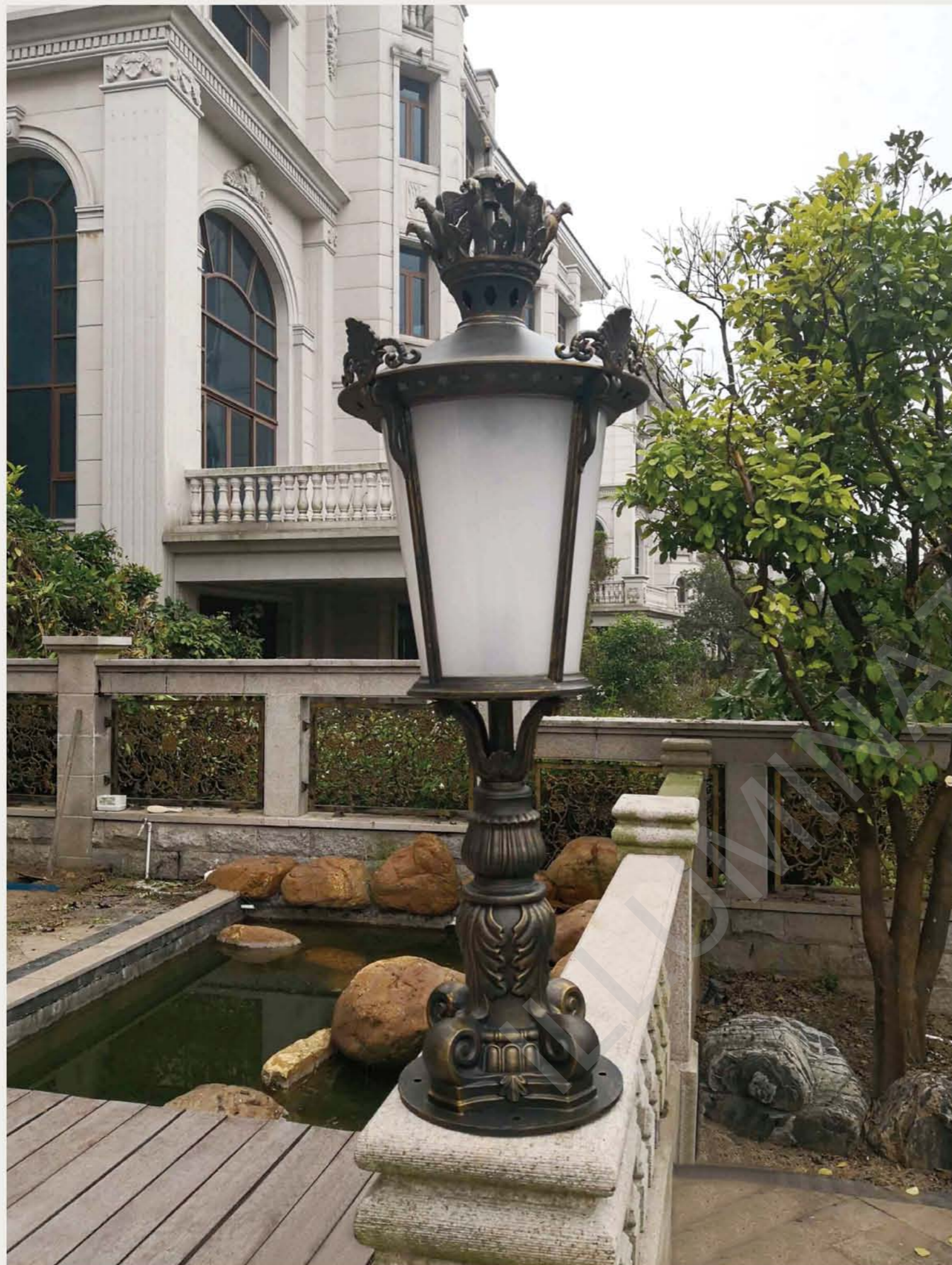
DHK-9223

Lamp: LED
LED Power: 15W
Voltage: 90-260V 50/60Hz

Color Temperature

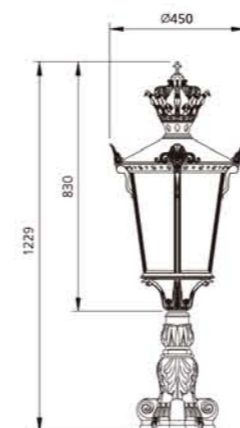
- 3000K
 6000K





LED PILLAR LIGHT

- Body: Made of cast aluminum with treatment of corrosion protection and UV-proof powder coating.
- Diffuser: PC.
- Gasketing: Made of thermostable silica gel to improve protection class.
- Fastener: 304 stainless steel.



DHK-9224

DHK-9224

Lamp: LED

LED Power: 30W

Voltage: 90-260V 50/60Hz

Color Temperature

 3000K

 6000K


SPOT LIGHT SERIES





DHB-1285/DHB-1286/DHB-1287

Material: Die-casting aluminum alloy body with anodizing treatment, stainless steel fasteners, Finish to be UV-proof powder coated.

Application: Indoor partial lighting, for high light promotional products, outdoor landscape lighting, architecture lighting, bridge lighting.



DHB-1285



DHB-1286

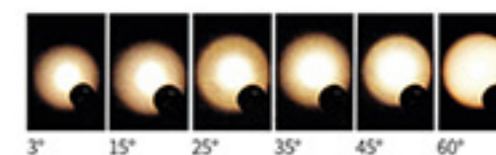


DHB-1287

Model NO.	Lamp	Power	Voltage	Color Temperature
DHB-1285	LED	4.7W	AC 220V	<input checked="" type="checkbox"/> 3000K <input type="checkbox"/> 6000K
DHB-1286	LED	12W		
DHB-1287	LED	12W		



Dimensions



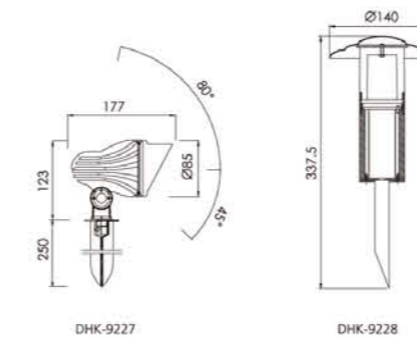
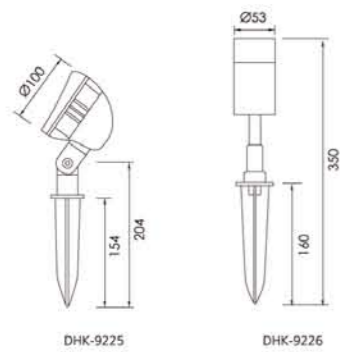
LED INSERTING LIGHT

- Body: Made of cast aluminum with treatment of corrosion protection and UV-proof powder coating.
- Diffuser: Clear glass.
- Gasketing: Made of thermostable silica gel to improve protection class.
- Fastener: 304 stainless steel.



LED INSERTING LIGHT

- Body: Made of cast aluminum with treatment of corrosion protection and UV-proof powder coating.
- Diffuser: Clear glass/PMMA.
- Gasketing: Made of thermostable silica gel to improve protection class.
- Fastener: 304 stainless steel.



DHK-9225

Lamp: LED
LED Power: 7x1W
Voltage: 90-260V 50/60Hz

Color Temperature

- 3000K
- 6000K

DHK-9226

Lamp: LED
LED Power: 3x1W
Voltage: 90-260V 50/60Hz

Color Temperature

- 3000K
- 6000K

DHK-9227

Lamp: LED
LED Power: 9W
Voltage: 90-260V 50/60Hz

Color Temperature

- 3000K
- 6000K

DHK-9228

Lamp: LED
LED Power: 3W
Voltage: 220-240V 50/60Hz

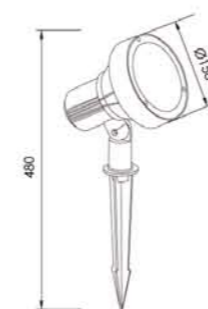
Color Temperature

- 3000K
- 6000K

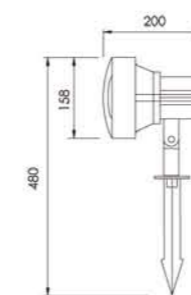


LED INSERTING LIGHT

- Body: Made of cast aluminum with treatment of corrosion protection and UV-proof powder coating.
- Diffuser: Clear glass.
- Gasketing: Made of thermostable silica gel to improve protection class.
- Fastener: 304 stainless steel.



DHK-9229



DHK-9230

DHK-9229

Lamp: LED
LED Power: 12W
Voltage: 90-260V 50/60Hz

Color Temperature

- 3000K
 6000K

DHK-9230

Lamp: LED
LED Power: 12W
Voltage: 90-260V 50/60Hz

Color Temperature

- 3000K
 6000K



Spot Light Series

DHB-1288/DHB-1289

Material: Die-casting aluminum alloy body with anodizing treatment, stainless steel fasteners, Finish to be UV-proof powder coated.

Application: Indoor partial lighting, for high light promotional products, outdoor landscape lighting, architecture lighting, bridge lighting.



DHB-1288

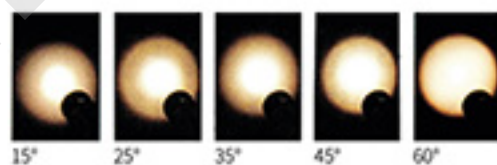
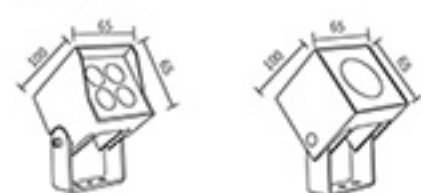


DHB-1289

Model NO.	Lamp	Power	Voltage	Color Temperature
DHB-1288	LED	4x1.5W	DC 24V	<input type="checkbox"/> 3000K <input type="checkbox"/> 6000K
DHB-1289	LED	3W		



Dimensions



DHB-1290/DHB-1291

Material: Die-casting aluminum alloy body with anodizing treatment, stainless steel fasteners, Finish to be UV-proof powder coated.

Application: Indoor partial lighting, for high light promotional products, outdoor landscape lighting, architecture lighting, bridge lighting.



DHB-1290

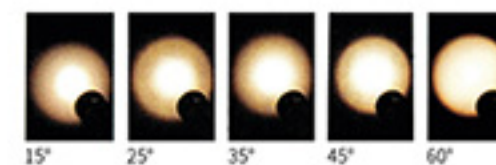
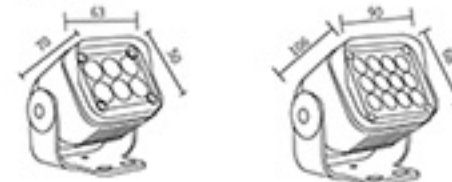


DHB-1291

Model NO.	Lamp	Power	Voltage	Color Temperature
DHB-1290	LED	6x1W	AC 220V	<input type="checkbox"/> 3000K <input type="checkbox"/> 6000K
DHB-1291	LED	12x1W		



Dimensions



Spot Light Series

DHB-1292/DHB-1293

Material: Die-casting aluminum alloy body with anodizing treatment, stainless steel fasteners, Finish to be UV-proof powder coated.

Application: Indoor partial lighting, for high light promotional products, outdoor landscape lighting, architecture lighting, bridge lighting.



DHB-1292

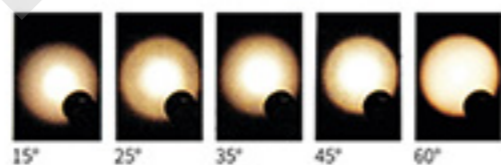
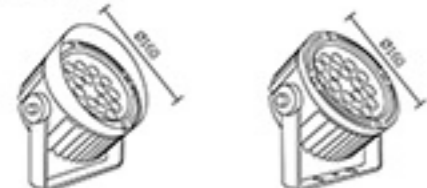


DHB-1293

Model NO.	Lamp	Power	Voltage	Color Temperature
DHB-1292	LED	18x2W	AC 220V	<input type="checkbox"/> 3000K <input type="checkbox"/> 6000K
DHB-1293	LED	18x2W		<input checked="" type="checkbox"/> RGBW



Dimensions



15° 25° 35° 45° 60°

DHB-1294/DHB-1295

Material: Die-casting aluminum alloy body with anodizing treatment, stainless steel fasteners, Finish to be UV-proof powder coated.

Application: Indoor partial lighting, for high light promotional products, outdoor landscape lighting, architecture lighting, bridge lighting.



DHB-1294

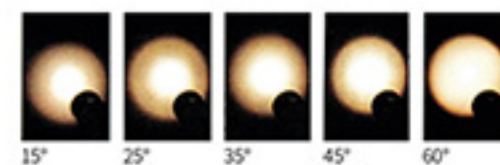


DHB-1295

Model NO.	Lamp	Power	Voltage	Color Temperature
DHB-1294	LED	50W	AC 220V	<input type="checkbox"/> 3000K <input type="checkbox"/> 6000K
DHB-1295	LED	50W		



Dimensions



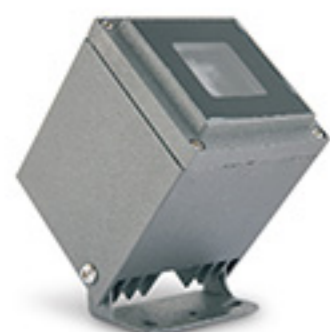
15° 25° 35° 45° 60°

Spot Light Series

DHB-1296/DHB-1297/DHB-1298

Material: Die-casting aluminum alloy body with anodizing treatment, stainless steel fasteners, Finish to be UV-proof powder coated.

Application: Indoor partial lighting, for high light promotional products, outdoor landscape lighting, architecture lighting, bridge lighting.



DHB-1296



DHB-1297

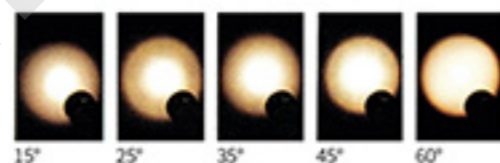


DHB-1298

Model NO.	Lamp	Power	Voltage	Color Temperature
DHB-1296	LED	10W (单光)	AC 220V	<input type="checkbox"/> 3000K <input type="checkbox"/> 6000K
DHB-1297	LED	9x1W/2W		
DHB-1298	LED	9x3W		



Dimensions



DHB-1299/DHB-1300/DHB-1301

Material: Die-casting aluminum alloy body with anodizing treatment, stainless steel fasteners, Finish to be UV-proof powder coated.

Application: Indoor partial lighting, for high light promotional products, outdoor landscape lighting, architecture lighting, bridge lighting.



DHB-1299



DHB-1300

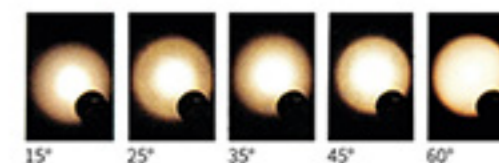


DHB-1301

Model NO.	Lamp	Power	Voltage	Color Temperature
DHB-1299	LED	1x20W	90-260V 50/60Hz	<input type="checkbox"/> 3000K <input type="checkbox"/> 6000K
DHB-1300	LED	1x30W		
DHB-1301	LED	1x20W		



Dimensions



Spot Light Series

DHB-1302/DHB-1303

Material: Die-casting aluminum alloy body with anodizing treatment, stainless steel fasteners, Finish to be UV-proof powder coated.

Application: Indoor partial lighting, for high light promotional products, outdoor landscape lighting, architecture lighting, bridge lighting.



DHB-1302

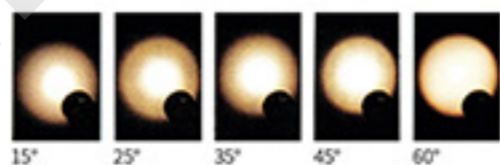


DHB-1303

Model NO.	Lamp	Power	Voltage	Color Temperature
DHB-1302	LED	9x3W	90-260V 50/60Hz	<input type="checkbox"/> 3000K <input type="checkbox"/> 6000K
DHB-1303	LED	36x1W		



Dimensions



DHB-1304/DHB-1305

Material: Die-casting aluminum alloy body with anodizing treatment, stainless steel fasteners, Finish to be UV-proof powder coated.

Application: Indoor partial lighting, for high light promotional products, outdoor landscape lighting, architecture lighting, bridge lighting.



DHB-1304

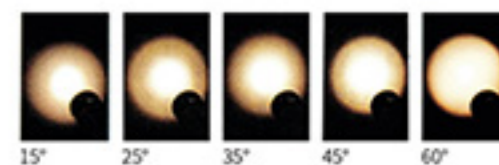
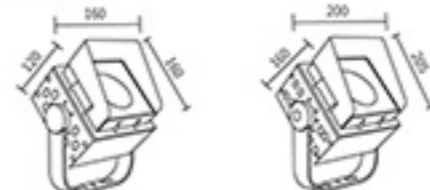


DHB-1305

Model NO.	Lamp	Power	Voltage	Color Temperature
DHB-1304	LED	20W	90-260V 50/60Hz	<input type="checkbox"/> 3000K <input type="checkbox"/> 6000K
DHB-1305	LED	36W		



Dimensions





DHB-1306/DHB-1307

Material: Die-casting aluminum alloy body with anodizing treatment, stainless steel fasteners, Finish to be UV-proof powder coated.

Application: Indoor partial lighting, for high light promotional products, outdoor landscape lighting, architecture lighting, bridge lighting.



DHB-1306

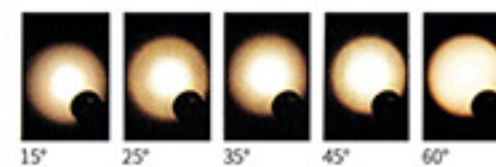
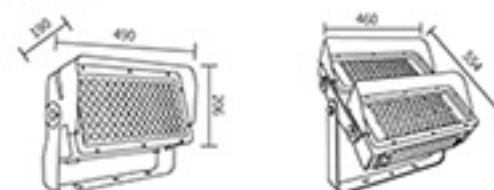


DHB-1307

Model NO.	Lamp	Power	Voltage	Color Temperature
DHB-1306	LED	150W	AC 220V	<input type="checkbox"/> 3000K <input type="checkbox"/> 6000K
DHB-1307	LED	150x2W		



Dimensions



Spot Light Series

DHB-1308/DHB-1309

Material: Die-casting aluminum alloy body with anodizing treatment, stainless steel fasteners, Finish to be UV-proof powder coated.

Application: Indoor partial lighting, for high light promotional products, outdoor landscape lighting, architecture lighting, bridge lighting.



DHB-1308

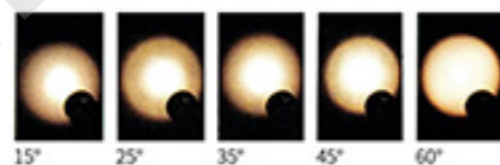


DHB-1309

Model NO.	Lamp	Power	Voltage	Color Temperature
DHB-1308	LED	9x1W/12x1W	AC 220V	3000K 6000K
DHB-1309	LED	36x1W		



Dimensions



DHB-1310/DHB-1311 DHB-1312/DHB-1313

Material: Die-casting aluminum alloy body with anodizing treatment, stainless steel fasteners, Finish to be UV-proof powder coated.

Application: Indoor partial lighting, for high light promotional products, outdoor landscape lighting, architecture lighting, bridge lighting.



DHB-1310



DHB-1312



DHB-1311

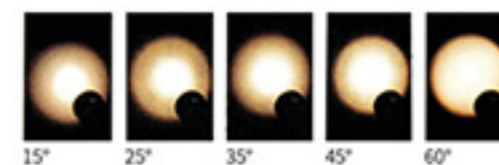


DHB-1313

Model NO.	Lamp	Power	Voltage	Color Temperature
DHB-1310	LED	6x3W	AC 220V	3000K 6000K
DHB-1311	LED	12x3W		RGB
DHB-1312	LED	24x2W		
DHB-1313	LED	36x2W		



Dimensions



Spot Light Series

DHB-1314/DHB-1315 DHB-1316/DHB-1317

Material: Die-casting Aluminum alloy body with anodizing treatment, stainless steel fasteners, Finish to be UV-proof powder coated.
Application: Indoor partial lighting, for high light promotional products, outdoor landscape lighting, architecture lighting, bridge lighting.



DHB-1314



DHB-1316



DHB-1315

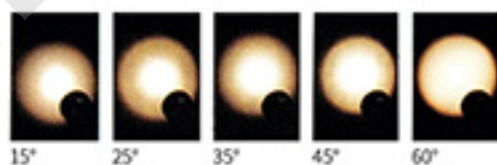
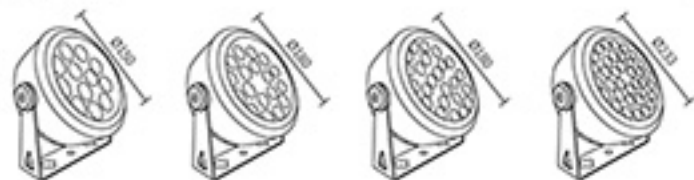


DHB-1317

Model NO.	Lamp	Power	Voltage	Color Temperature
DHB-1314	LED	12W/12x1.5W	AC 220V	<input type="checkbox"/> 3000K <input type="checkbox"/> 6000K
DHB-1315	LED	18x1.5W/2W		
DHB-1316	LED	24x2W		
DHB-1317	LED	36x2W		



Dimensions



DHB-1318/DHB-1319/DHB-1320

Material: Die-casting aluminum alloy body with anodizing treatment, stainless steel fasteners, Finish to be UV-proof powder coated.
Application: Indoor partial lighting, for high light promotional products, outdoor landscape lighting, architecture lighting, bridge lighting.



DHB-1318



DHB-1320

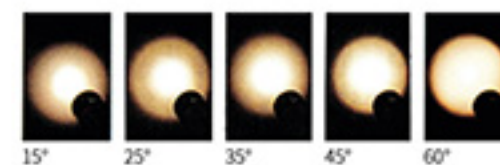


DHB-1319

Model NO.	Lamp	Power	Voltage	Color Temperature
DHB-1318	LED	9x1.5W	AC 220V	<input type="checkbox"/> 3000K <input type="checkbox"/> 6000K
DHB-1319	LED	16x1.5W		
DHB-1320	LED	24x1.5W		



Dimensions





DHB-1321/DHB-1322/DHB-1323

Material: Die-casting aluminum alloy body with anodizing treatment, stainless steel fasteners, Finish to be UV-proof powder coated.

Application: Indoor partial lighting, for high light promotional products, outdoor landscape lighting, architecture lighting, bridge lighting.



DHB-1322



DHB-1321

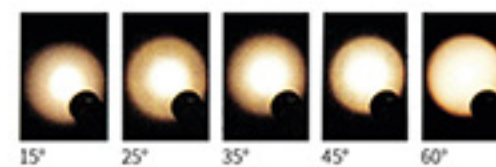


DHB-1323

Model NO.	Lamp	Power	Voltage	Color Temperature
DHB-1321	LED	15W	AC 220V	<input type="checkbox"/> 3000K <input type="checkbox"/> 6000K
DHB-1322	LED	30W		
DHB-1323	LED	45W		



Dimensions





DHB-1324/DHB-1325/DHB-1326

Material: Die-casting aluminum alloy body with anodizing treatment, stainless steel fasteners, Finish to be UV-proof powder coated.

Application: Indoor partial lighting, for high light promotional products, outdoor landscape lighting, architecture lighting, bridge lighting.



DHB-1325



DHB-1324

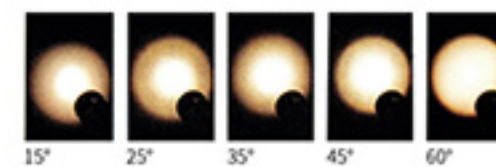
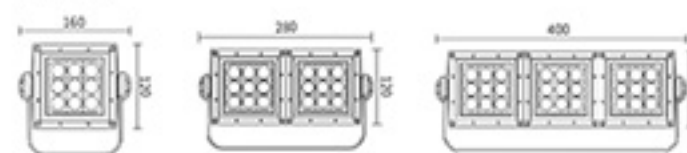


DHB-1326

Model NO.	Lamp	Power	Voltage	Color Temperature
DHB-1324	LED	9x2W	90-260V 50/60Hz	<input type="checkbox"/> 3000K <input type="checkbox"/> 6000K
DHB-1325	LED	18x2W		
DHB-1326	LED	27x2W		



Dimensions



Spot Light Series

DHB-1327/DHB-1328/DHB-1329

Material: Die-casting aluminum alloy body with anodizing treatment, stainless steel fasteners, Finish to be UV-proof powder coated.

Application: Indoor partial lighting, for high light promotional products, outdoor landscape lighting, architecture lighting, bridge lighting.



DHB-1327



DHB-1328

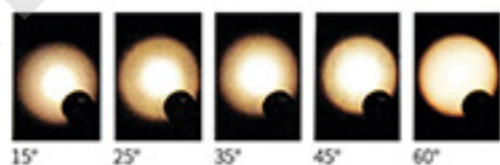
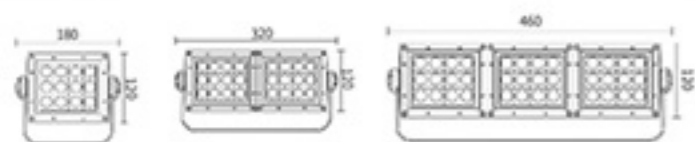


DHB-1329

Model NO.	Lamp	Power	Voltage	Color Temperature
DHB-1327	LED	12x2W	90-260V 50/60Hz	<input type="checkbox"/> 3000K <input type="checkbox"/> 6000K
DHB-1328	LED	24x2W		
DHB-1329	LED	36x2W		



Dimensions



DHB-1330/DHB-1331/DHB-1332

Material: Die-casting aluminum alloy body with anodizing treatment, stainless steel fasteners, Finish to be UV-proof powder coated.

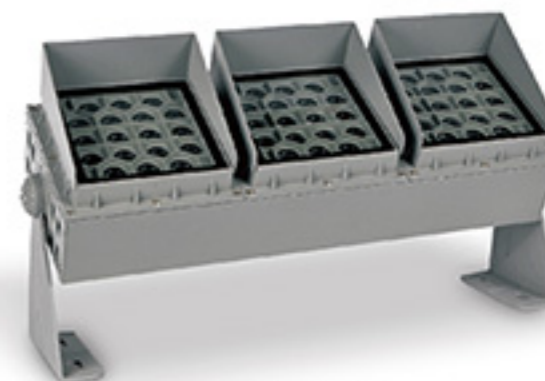
Application: Indoor partial lighting, for high light promotional products, outdoor landscape lighting, architecture lighting, bridge lighting.



DHB-1331



DHB-1330

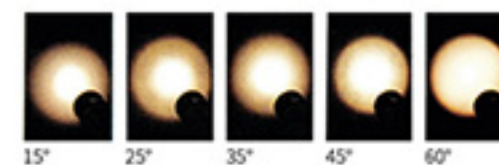
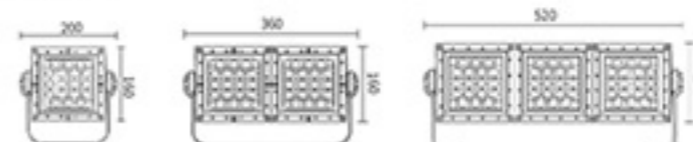


DHB-1332

Model NO.	Lamp	Power	Voltage	Color Temperature
DHB-1330	LED	18x2W	AC 220V	<input type="checkbox"/> 3000K <input type="checkbox"/> 6000K
DHB-1331	LED	36x2W		
DHB-1332	LED	54x2W		



Dimensions





DHB-1333/DHB-1334/DHB-1335

Material: Die-casting aluminum alloy body with anodizing treatment, stainless steel fasteners, Finish to be UV-proof powder coated.

Application: Indoor partial lighting, for high light promotional products, outdoor landscape lighting, architecture lighting, bridge lighting.



DHB-1334



DHB-1333

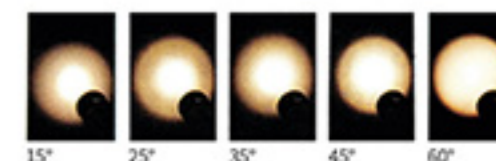
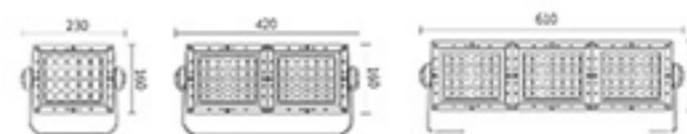


DHB-1335

Model NO.	Lamp	Power	Voltage	Color Temperature
DHB-1333	LED	24x2W	AC 220V	<input type="checkbox"/> 3000K <input type="checkbox"/> 6000K
DHB-1334	LED	48x2W		
DHB-1335	LED	72x2W		



Dimensions



Spot Light Series

DHB-1336/DHB-1337 DHB-1338/DHB-1339

Material: Die-casting Aluminum alloy body with anodizing treatment, stainless steel fasteners, Finish to be UV-proof powder coated.
Application: Indoor partial lighting, for high light promotional products, outdoor landscape lighting, architecture lighting, bridge lighting.



DHB-1336



DHB-1338



DHB-1337

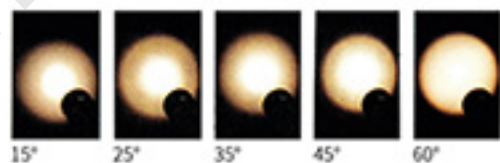
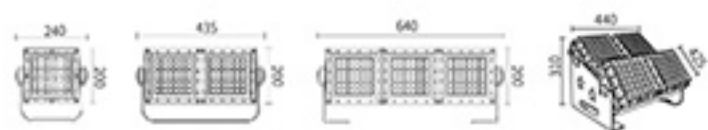


DHB-1339

Model NO.	Lamp	Power	Voltage	Color Temperature
DHB-1336	LED	36x2W	AC 220V	<input type="checkbox"/> 3000K <input type="checkbox"/> 6000K
DHB-1337	LED	72x2W		
DHB-1338	LED	108x2W		
DHB-1339	LED	144x2W		



Dimensions



DHB-1340/DHB-1341/DHB-1342

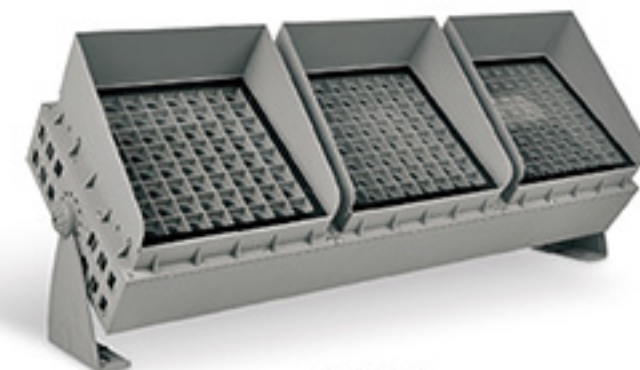
Material: Die-casting aluminum alloy body with anodizing treatment, stainless steel fasteners, Finish to be UV-proof powder coated.
Application: Indoor partial lighting, for high light promotional products, outdoor landscape lighting, architecture lighting, bridge lighting.



DHB-1341



DHB-1340

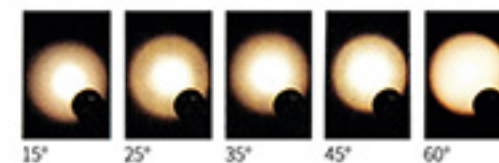


DHB-1342

Model NO.	Lamp	Power	Voltage	Color Temperature
DHB-1340	LED	64x2W	90-260V 50/60Hz	<input type="checkbox"/> 3000K <input type="checkbox"/> 6000K
DHB-1341	LED	128x2W		
DHB-1342	LED	192x2W		



Dimensions



LED FLOOD LIGHT

- Body: Made of cast aluminum with treatment of corrosion protection and UV-proof powder coating.
- Diffuser: Clear tempered glass
- Gasketing: Made of thermostable silica gel to improve protection class.
- Fastener: 304 stainless steel.



DHK-9259



DHK-9259

LED Power	Size(mm)	Color Temperature
30W	218x188x40	<input checked="" type="checkbox"/> 3000K
50W	232x270x50	<input type="checkbox"/> 6000K
100W	341x298x50	
150W	356x400x50	
200W	500x358x50	

DHK-9260

LED Power	Size(mm)	Color Temperature
10W	113x35x105	<input checked="" type="checkbox"/> 3000K
20W	137x35x117	<input type="checkbox"/> 6000K
30W	185x42x155	<input checked="" type="checkbox"/> RGB
50W	225x50x192	
100W	285x58x240	
150W	345x70x280	
200W	425x80x325	



LED FLOOD LIGHT

- Body: Made of cast aluminum with treatment of corrosion protection and UV-proof powder coating.
- Diffuser: Clear tempered glass
- Gasketing: Made of thermostable silica gel to improve protection class.
- Fastener: 304 stainless steel.



DHK-9261



DHK-9261

LED Power	Size(mm)	Color Temperature
50W	232x45x187	<input checked="" type="checkbox"/> 3000K
100W	293x65x227	<input type="checkbox"/> 6000K
150W	338x65x270	
200W	386x68x302	

DHK-9262

LED Power	Size(mm)	Color Temperature
50W	238x228x46	<input checked="" type="checkbox"/> 3000K
100W	290x280x59	<input type="checkbox"/> 6000K
150W	330x320x65	
200W	360x350x65	



DHK-9262

LED FLOOD LIGHT

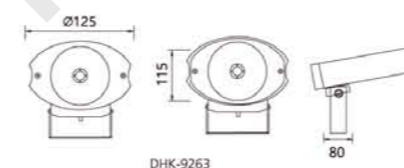
- Body: Made of cast aluminum with treatment of corrosion protection and UV-proof powder coating.
- Diffuser: Clear tempered glass
- Gasketing: Made of thermostable silica gel to improve protection class.
- Fastener: 304 stainless steel.



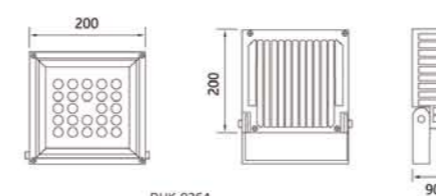
DHK-9263



DHK-9264



DHK-9263



DHK-9264

DHK-9263

Lamp: LED
LED Power: 10W
Voltage: 90-260V 50/60Hz

Color Temperature

3000K RGB
 6000K

DHK-9264

Lamp: LED
LED Power: 48W
Voltage: 90-260V 50/60Hz

Color Temperature

3000K RGB
 6000K



LED FLOOD LIGHT

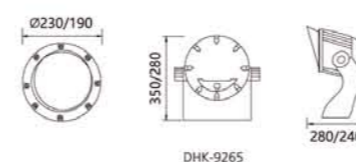
- Body: Made of cast aluminum with treatment of corrosion protection and UV-proof powder coating.
- Diffuser: Clear tempered glass
- Gasketing: Made of thermostable silica gel to improve protection class.
- Fastener: 304 stainless steel.



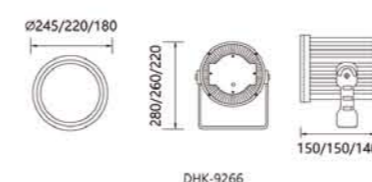
DHK-9265



DHK-9266



DHK-9265



DHK-9266

DHK-9265

Lamp: LED
 LED Power: 18W/36W/54W
 Voltage: 90-260V 50/60Hz

Color Temperature

3000K RGB
 6000K

DHK-9266

Lamp: LED
 LED Power: 18W/36W/60W
 Voltage: 90-260V 50/60Hz

Color Temperature

3000K RGB
 6000K



IN-GROUND LIGHT SERIES



In-ground Light Series

DHB-1343/DHB-1344/DHB-1345

Material: Die-casting aluminum alloy body with anodizing treatment, stainless steel fasteners, Finish to be UV-proof powder coated.

Application: Ground recessed lamps, for architecture and landscape lighting, tree lighting.



DHB-1344



DHB-1343

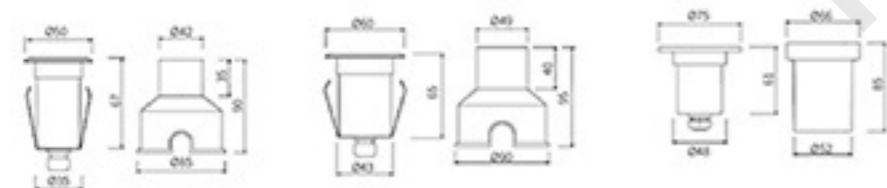


DHB-1345

Model NO.	Lamp	Power	Voltage	Color Temperature
DHB-1343	LED	1W/3W	AC 220V	<input type="checkbox"/> 3000K <input type="checkbox"/> 6000K
DHB-1344	LED	1W/3W		
DHB-1345	LED	3x1W		



Dimensions



DHB-1346/DHB-1347

Material: The whole lamp body is ADC12 die cast aluminum, Aksu outdoor anti ultraviolet polyester powder spraying treatment, optical lens and stainless steel fixing screws.

Application: Ground recessed lamps, for architecture and landscape lighting, tree lighting.



DHB-1346



DHB-1347

Model NO.	Lamp	Power	Voltage	Color Temperature
DHB-1346	LED	3W	DC 24V	<input type="checkbox"/> 3000K <input type="checkbox"/> 6000K
DHB-1347	LED	40W	AC 220V	



Dimensions



In-ground Light Series

DHB-1348/DHB-1349/DHB-1350

Material: The whole lamp body is ADC12 die cast aluminum, Aksu outdoor anti ultraviolet polyester powder spraying treatment, optical lens and stainless steel fixing screws.

Application: Ground recessed lamps, for architecture and landscape lighting, tree lighting.



DHB-1348



DHB-1350



DHB-1349

Model NO.	Lamp	Power	Voltage	Color Temperature
DHB-1348	LED	12W	DC 24V	<input type="checkbox"/> 3000K <input type="checkbox"/> 6000K
DHB-1349	LED	9W		
DHB-1350	LED	9x1W		



Dimensions



DHB-1351/DHB-1352/DHB-1353

Material: The whole lamp body is ADC12 die cast aluminum, Aksu outdoor anti ultraviolet polyester powder spraying treatment, optical lens and stainless steel fixing screws.

Application: Ground recessed lamps, for architecture and landscape lighting, tree lighting.



DHB-1351



DHB-1352

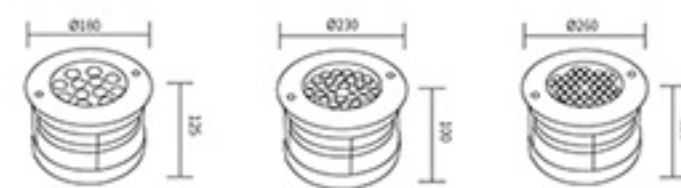


DHB-1353

Model NO.	Lamp	Power	Voltage	Color Temperature
DHB-1351	LED	12x1W	DC 24V	<input type="checkbox"/> 3000K <input type="checkbox"/> 6000K
DHB-1352	LED	24x1W		
DHB-1353	LED	36x1W		



Dimensions

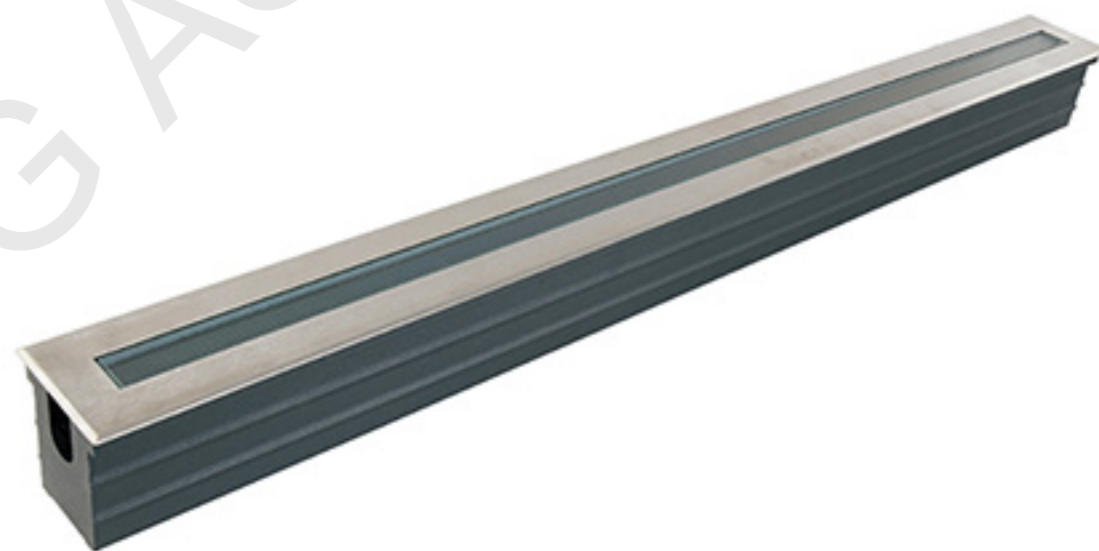




DHB-1354

Material: The whole lamp body is ADC12 die cast aluminum, Aksu outdoor anti ultraviolet polyester powder spraying treatment, optical lens and stainless steel fixing screws.

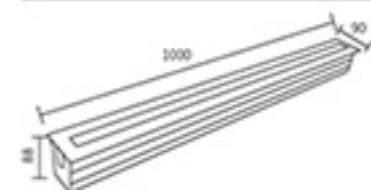
Application: Ground recessed lamps, for architecture and landscape lighting, tree lighting.



Lamp	Power	Voltage	Color Temperature
LED	18/24/36x1W	90-260V 50/60Hz	<input checked="" type="checkbox"/> 3000K <input type="checkbox"/> 6000K



Dimensions



LED BURIED LIGHT

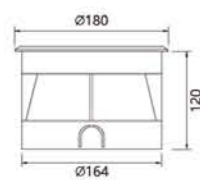
- Body:Stainless steel
- Diffuser:Clear tempered glass
- Gasketing:Made of thermostable silica gel to improve protection class.
- Fastener:304 stainless steel.



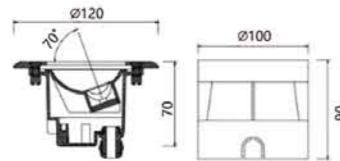
DHK-9246



DHK-9247



DHK-9246



DHK-9247

DHK-9246

Lamp: LED
LED Power: 12W
Voltage: 90-260V

Color Temperature

- 3000K
- 6000K

DHK-9247

Lamp: LED
LED Power: 3W
Voltage: 90-260V

Color Temperature

- 3000K
- 6000K

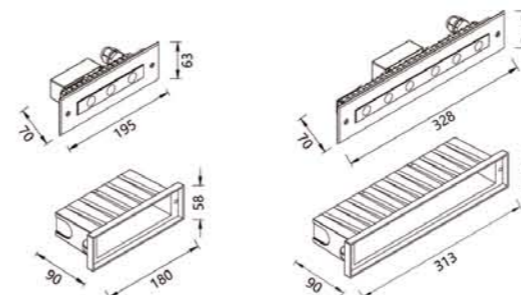


LED BURIED LIGHT

- Body:Stainless steel
- Diffuser:Clear tempered glass
- Gasketing:Made of thermostable silica gel to improve protection class.
- Fastener:304 stainless steel.



DHK-9248
DHK-9249



DHK-9248

DHK-9249

DHK-9248/DHK-9249

Lamp: LED
LED Power: 6.7W/13W
Voltage: 90-260V 50/60Hz

Color Temperature

- 3000K
- 6000K



LED UNDERWATER LIGHT

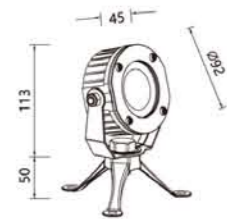
- Body: Made of stainless steel with brackets.
- Diffuser: Clear tempered glass
- Gasketing: Made of thermostable silica gel to improve protection class.
- Fastener: 304 stainless steel.



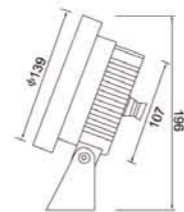
DHK-9250



DHK-9251



DHK-9250



DHK-9251

DHK-9250

Lamp: LED
LED Power: 9W
Voltage: AC 12V

Color Temperature
3000K

DHK-9251

Lamp: LED
LED Power: 9W
Voltage: AC 12V

Color Temperature
3000K



LED UNDERWATER LIGHT

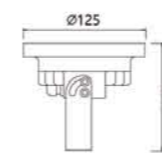
- Body: Made of stainless steel with brackets.
- Diffuser: Clear tempered glass
- Gasketing: Made of thermostable silica gel to improve protection class.
- Fastener: 304 stainless steel.



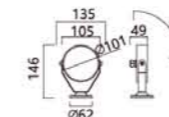
DHK-9253
DHK-9254



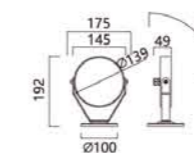
DHK-9252



DHK-9252



DHK-9253



DHK-9254

DHK-9252

Lamp: LED
LED Power: 12W
Voltage: AC 12V

色温 Color Temperature
3000K

DHK-9253/DHK-9254

Lamp: LED
LED Power: 6W/12W
Voltage: DC 24V

色温 Color Temperature
3000K





LED UNDERWATER LIGHT

- Body:Stainless steel
- Diffuser:Clear tempered glass
- Gasketing:Made of thermostable silica gel to improve protection class.
- Fastener:304 stainless steel.



DHK-9257



DHK-9258

LED UNDERWATER LIGHT

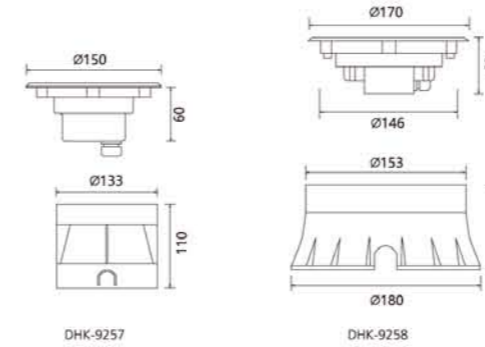
- Body:Stainless steel
- Diffuser:Clear tempered glass
- Gasketing:Made of thermostable silica gel to improve protection class.
- Fastener:304 stainless steel.



DHK-9255

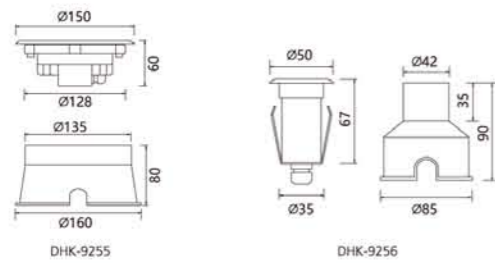


DHK-9256



DHK-9257

DHK-9258



DHK-9255

DHK-9256

DHK-9255

Lamp: LED
LED Power: 12W
Voltage: AC 12V

Color Temperature

- 3000K
- 6000K

DHK-9256

Lamp: LED
LED Power: 1W
Voltage: AC 12V

Color Temperature

- 3000K
- 6000K

DHK-9257

Lamp: LED
LED Power: 6W
Voltage: AC 12V

Color Temperature

- 3000K
- 6000K

DHK-9258

Lamp: LED
LED Power: 18W
Voltage: AC 12V

Color Temperature

- 3000K
- 6000K

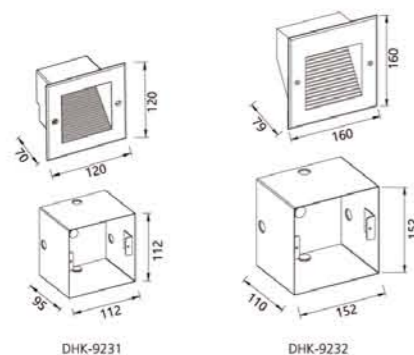


LED STEP LIGHT

- Body: Made of cast aluminum with treatment of corrosion protection and UV-proof powder coating.
- Diffuser: Clear tempered glass
- Gasketing: Made of thermostable silica gel to improve protection class.
- Fastener: 304 stainless steel.



DHK-9231



DHK-9232

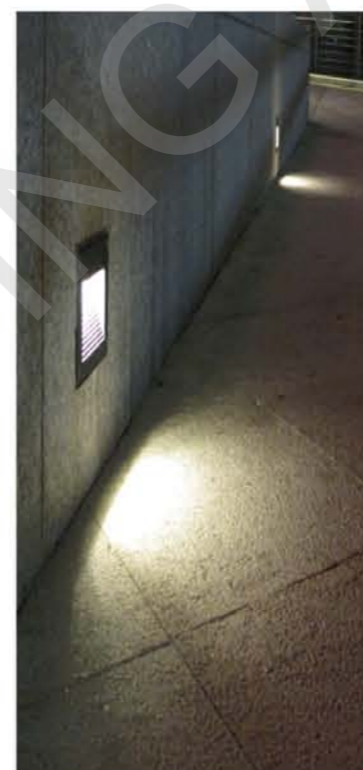
DHK-9231 Color Temperature
 Lamp: LED 3000K
 LED Power: 2.8W
 Voltage: AC 240V

DHK-9232 Color Temperature
 Lamp: LED 3000K
 LED Power: 5.6W
 Voltage: AC 240V



LED STEP LIGHT

- Body: Made of cast aluminum with treatment of corrosion protection and UV-proof powder coating.
- Diffuser: Clear tempered glass
- Gasketing: Made of thermostable silica gel to improve protection class.
- Fastener: 304 stainless steel.



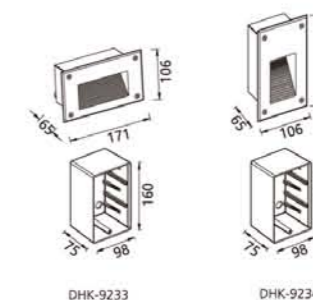
DHK-9233



DHK-9234

DHK-9233 Color Temperature
 Lamp: LED 3000K
 LED Power: 2.8W
 Voltage: AC 240V

DHK-9234 Color Temperature
 Lamp: LED 3000K
 LED Power: 2.8W
 Voltage: AC 240V



DHK-9233

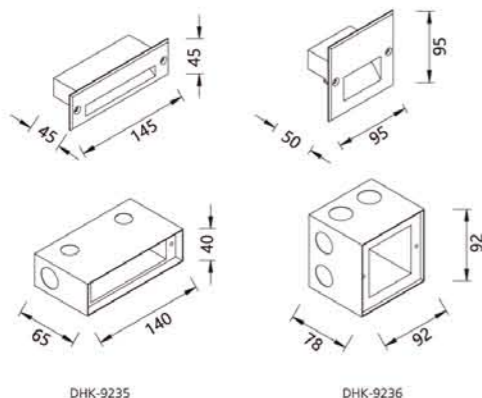
DHK-9234

LED STEP LIGHT

- Body: Made of cast aluminum with treatment of corrosion protection and UV-proof powder coating.
- Diffuser: Clear tempered glass
- Gasketing: Made of thermostable silica gel to improve protection class.
- Fastener: 304 stainless steel.



DHK-9235



DHK-9236

DHK-9235 Color Temperature
 Lamp: LED 3000K
 LED Power: 1.8W
 Voltage: AC 240V

DHK-9236 Color Temperature
 Lamp: LED 3000K
 LED Power: 1.8W
 Voltage: AC 240V

LED STEP LIGHT

- Body: Made of cast aluminum with treatment of corrosion protection and UV-proof powder coating.
- Diffuser: Clear tempered glass
- Gasketing: Made of thermostable silica gel to improve protection class.
- Fastener: 304 stainless steel.



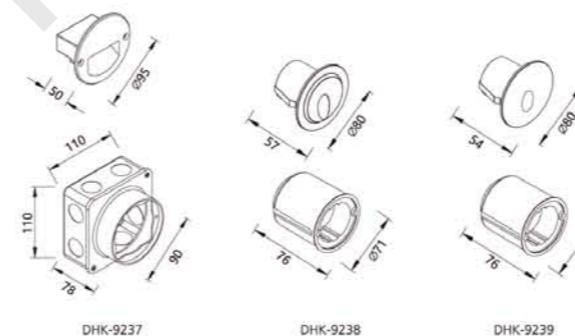
DHK-9237



DHK-9238



DHK-9239



DHK-9237 Color Temperature
 Lamp: LED 3000K
 LED Power: 1.8W
 Voltage: AC 240V

DHK-9238 Color Temperature
 Lamp: LED 3000K
 LED Power: 2.3W
 Voltage: AC 240V

DHK-9239 Color Temperature
 Lamp: LED 3000K
 LED Power: 2.3W
 Voltage: AC 240V



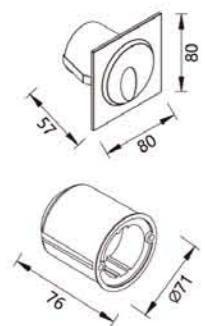
LED STEP LIGHT



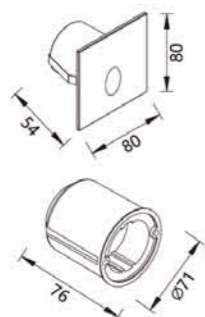
- Body: Made of cast aluminum with treatment of corrosion protection and UV-proof powder coating.
- Diffuser: Clear tempered glass
- Gasketing: Made of thermostable silica gel to improve protection class.
- Fastener: 304 stainless steel.



DHK-9240



DHK-9240



DHK-9241



DHK-9241

DHK-9240

Lamp: LED
LED Power: 2.3W
Voltage: AC 240V

Color Temperature
3000K

DHK-9241

Lamp: LED
LED Power: 2.3W
Voltage: AC 240V

Color Temperature
3000K

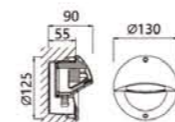


LED STEP LIGHT

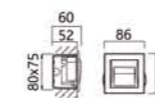
- Body: Made of cast aluminum with treatment of corrosion protection and UV-proof powder coating.
- Diffuser: Glass/PMMA
- Gasketing: Made of thermostable silica gel to improve protection class.
- Fastener: 304 stainless steel.



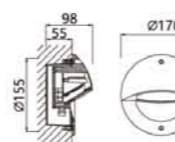
DHK-9242
DHK-9243



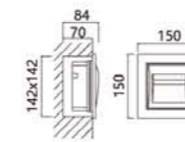
DHK-9242



DHK-9244



DHK-9243



DHK-9245



DHK-9244
DHK-9245

DHK-9242/DHK-9243

Lamp: LED
LED Power: 3W/5W
Voltage: 90-260V 50/60Hz

Color Temperature
3000K
6000K

DHK-9244/DHK-9245

Lamp: LED
LED Power: 3W/7.5W
Voltage: 90-260V 50/60Hz

Color Temperature
3000K
6000K

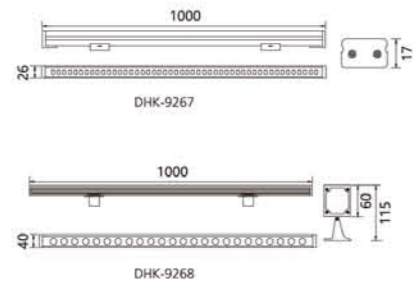


LINEAR LAMP SERIES



LED WASHER LIGHT

- Body: Made of extruded aluminum with brackets
- Diffuser: PC/Clear tempered glass
- Gasketing: Made of thermostable silica gel to improve protection class.
- Fastener: 304 stainless steel.



DHK-9267

Lamp: LED
LED Power: 12W
Voltage: DC 24V 50/60Hz

- Color Temperature
- 3000K
 - RGB
 - 6000K

DHK-9268

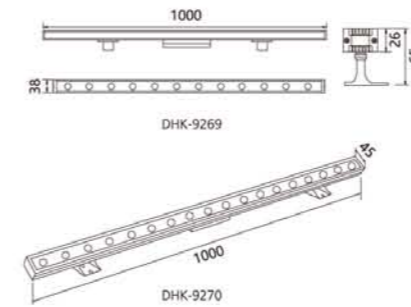
Lamp: LED
LED Power: 18W/24W/36W
Voltage: DC 24V 50/60Hz

- Color Temperature
- 3000K
 - RGB
 - 6000K



LED WASHER LIGHT

- Body: Made of extruded aluminum with brackets
- Diffuser: Clear tempered glass
- Gasketing: Made of thermostable silica gel to improve protection class.
- Fastener: 304 stainless steel.



DHK-9269

Lamp: LED
LED Power: 24W
Voltage: DC 24V 50/60Hz

- Color Temperature
- 3000K
 - RGB
 - 6000K

DHK-9270

Lamp: LED
LED Power: 18W/24W
Voltage: DC 24V 50/60Hz

- Color Temperature
- 3000K
 - RGB
 - 6000K

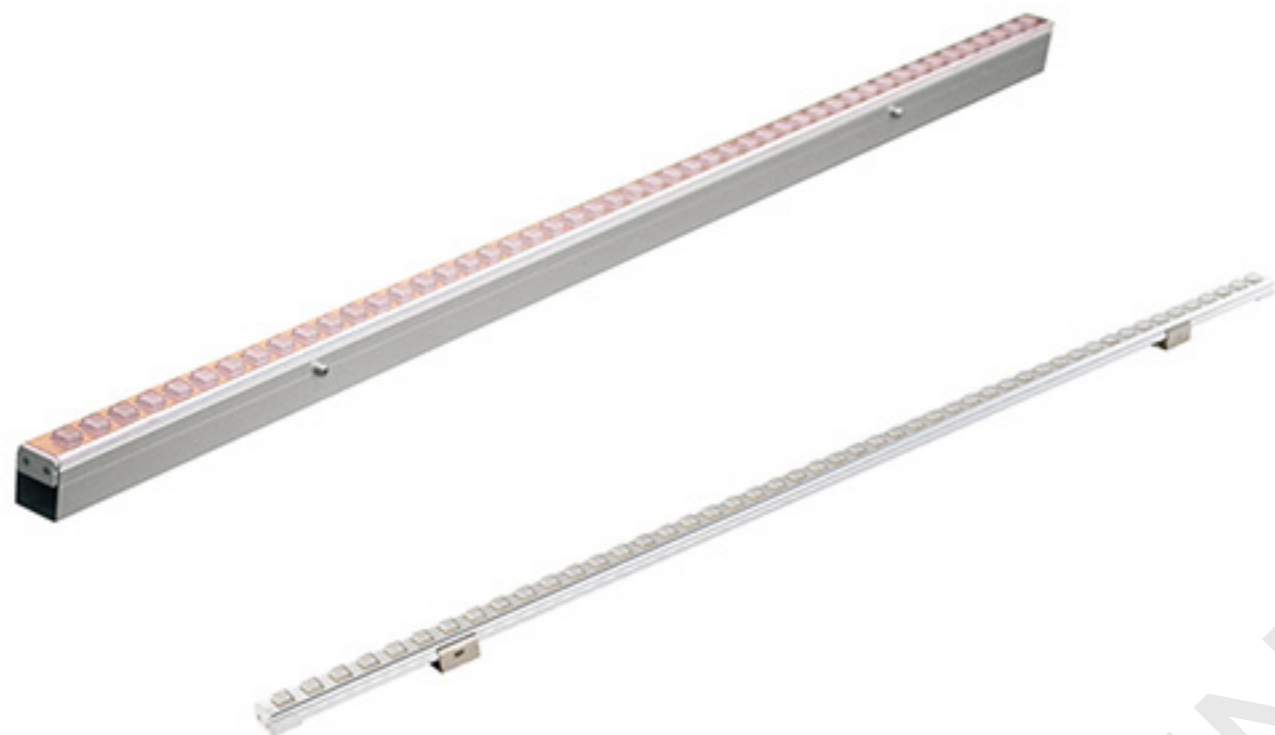


Linear Lamp Series

DHB-1251

Material: Die-casting Aluminum alloy body with anodizing treatment, stainless steel fasteners, Finish to be UV-proof powder coated.

Application: Decorative for architecture and buildings contours, bridge lighting, step lighting.



Lamp	Power	Voltage	Color Temperature
LED	12W-15W	DC 24V	3000K 6000K RGB



Dimensions



180°

DHB-1252/DHB-1253

Material: Die-casting Aluminum alloy body with anodizing treatment, stainless steel fasteners, Finish to be UV-proof powder coated.

Application: Decorative for architecture and buildings contours, bridge lighting, step lighting.



DHB-1252

DHB-1253

Model NO.	Lamp	Power	Voltage	Color Temperature
DHB-1252	LED	12W	DC 24V	3000K 6000K
DHB-1253	LED	12W-15W	DC 24V	3000K 6000K RGB



Dimensions



180°



DHB-1254/DHB-1255

Material: Die-casting Aluminum alloy body with anodizing treatment, stainless steel fasteners, Finish to be UV-proof powder coated.

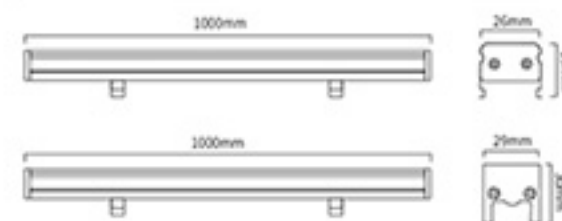
Application: Decorative for architecture and buildings contours, bridge lighting, step lighting.



Model NO.	Lamp	Power	Voltage	Color Temperature
DHB-1254	LED	12W-15W	DC 24V	3000K 6000K RGB
DHB-1255	LED	12W-15W	DC 24V	3000K 6000K



Dimensions



180°

Linear Lamp Series

DHB-1256/DHB-1257

Material: Die-casting Aluminum alloy body with anodizing treatment, stainless steel fasteners, Finish to be UV-proof powder coated.

Application: Decorative for architecture and buildings contours, bridge lighting, step lighting.



Model NO.	Lamp	Power	Voltage	Color Temperature
DHB-1256	LED	12W-15W	DC 24V	3000K 6000K RGB
DHB-1257	LED	12W-15W	DC 24V	3000K 6000K RGBW



Dimensions



180°

DHB-1258/DHB-1259

Material: Die-casting Aluminum alloy body with anodizing treatment, stainless steel fasteners, Finish to be UV-proof powder coated.

Application: Decorative for architecture and buildings contours, bridge lighting, step lighting.



Model NO.	Lamp	Power	Voltage	Color Temperature
DHB-1258	LED	12W-15W	DC 24V	3000K 6000K RGB
DHB-1259	LED	12W-15W	DC 24V	



Dimensions



180°



DHB-1260/DHB-1261

Material: Die-casting Aluminum alloy body with anodizing treatment, stainless steel fasteners, Finish to be UV-proof powder coated.

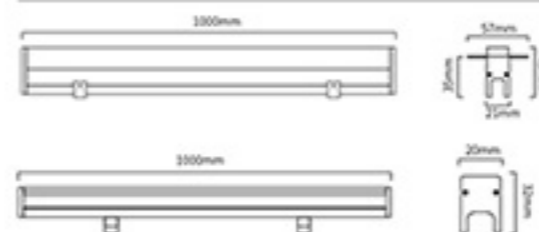
Application: Decorative for architecture and buildings contours, bridge lighting, step lighting.



Model NO.	Lamp	Power	Voltage	Color Temperature
DHB-1260	LED	12W-15W	DC 24V	3000K 6000K
DHB-1261	LED	12W	DC 24V	3000K 6000K RGB



Dimensions

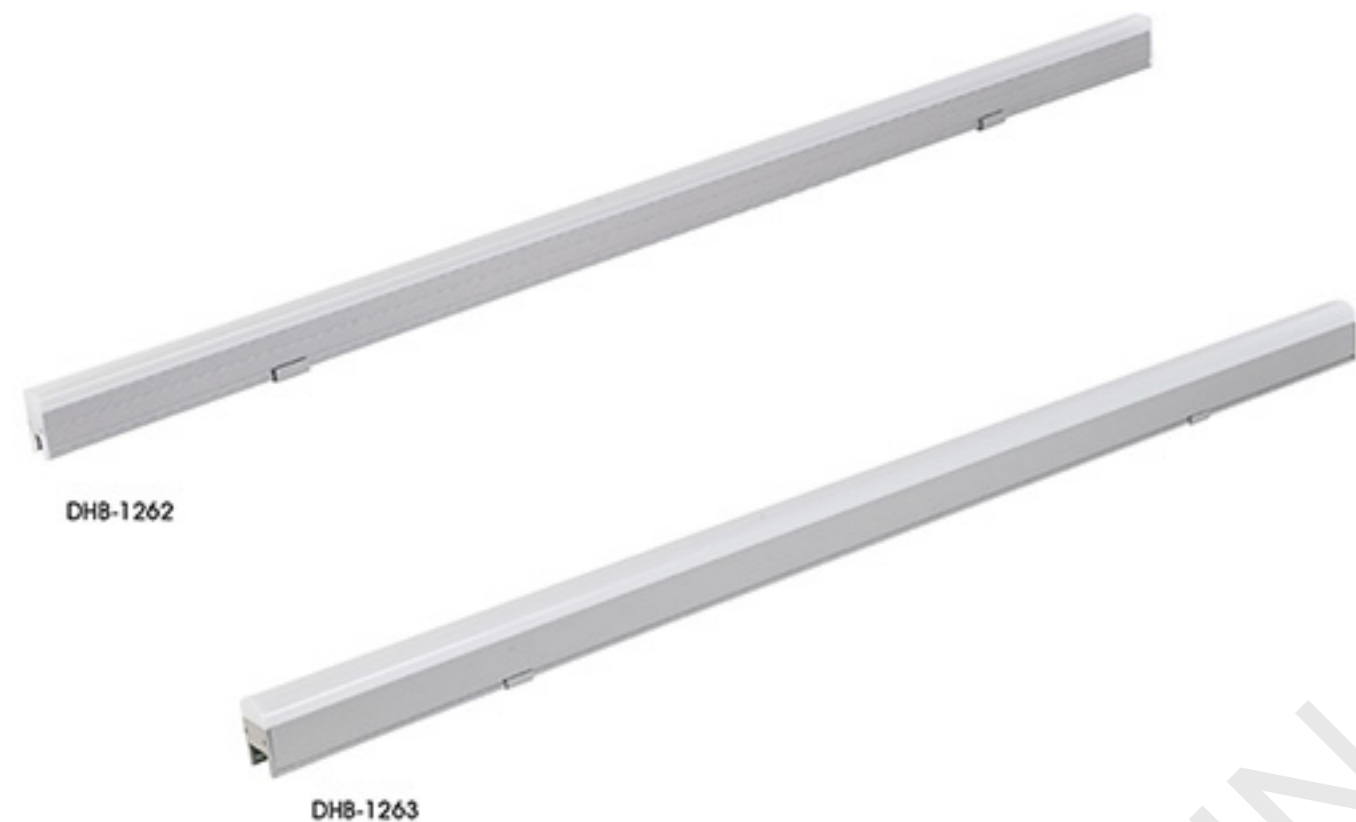


Linear Lamp Series

DHB-1262/DHB-1263

Material: Die-casting Aluminum alloy body with anodizing treatment, stainless steel fasteners, Finish to be UV-proof powder coated.

Application: Decorative for architecture and buildings contours, bridge lighting, step lighting.



DHB-1264/DHB-1265

Material: Die-casting Aluminum alloy body with anodizing treatment, stainless steel fasteners, Finish to be UV-proof powder coated.

Application: Decorative for architecture and buildings contours, bridge lighting, step lighting.



Model NO.	Lamp	Power	Voltage	Color Temperature
DHB-1262	LED	12W-15W	DC 24V	3000K 6000K
DHB-1263	LED	12W-15W	DC 24V	



Dimensions

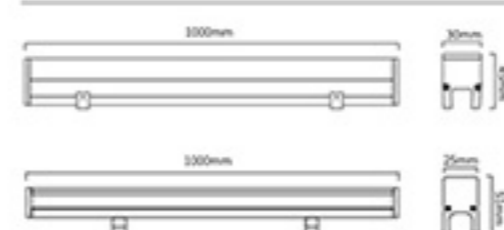


180°

Model NO.	Lamp	Power	Voltage	Color Temperature
DHB-1264	LED	12W-15W	DC 24V	3000K 6000K RGB
DHB-1265	LED	12W	DC 24V	



Dimensions



180°

WALL WASHER LIGHT SERIES



Wall Washer Light Series

DHB-1268

Material: aluminum alloy lamp body, Aksu outdoor ultraviolet polyester powder spraying, aluminum natural color oxidation treatment, 3mm reinforced safety glass, stainless steel fixing screws.

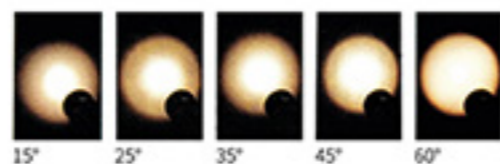
Application: Decorative for architecture and buildings contours, bridge lighting, step lighting.



Lamp	Power	Voltage	Color Temperature
LED	12W-15W	DC 24V	<input type="checkbox"/> 3000K <input type="checkbox"/> 6000K



Dimensions



DHB-1269

Material: aluminum alloy lamp body, Aksu outdoor ultraviolet polyester powder spraying, aluminum natural color oxidation treatment, 3mm reinforced safety glass, stainless steel fixing screws.

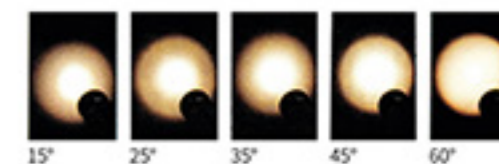
Application: Decorative for architecture and buildings contours, bridge lighting, step lighting.



Lamp	Power	Voltage	Color Temperature
LED	12W-15W	DC 24V	<input type="checkbox"/> 3000K <input type="checkbox"/> 6000K <input type="checkbox"/> RGBW



Dimensions





DHB-1270/DHB-1271

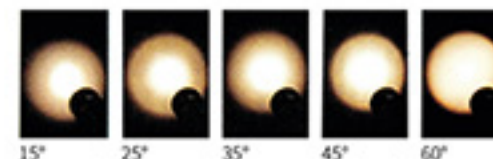
Material: aluminum alloy lamp body, Aksu outdoor ultraviolet polyester powder spraying, aluminum natural color oxidation treatment, 3mm reinforced safety glass, stainless steel fixing screws.
 Application: Decorative for architecture and buildings contours, bridge lighting, step lighting.



Model NO.	Lamp	Power	Voltage	Color Temperature
DHB-1270	LED	18W/24W	DC 24V	3000K 6000K RGBW
DHB-1271	LED	36W	DC 24V	



Dimensions

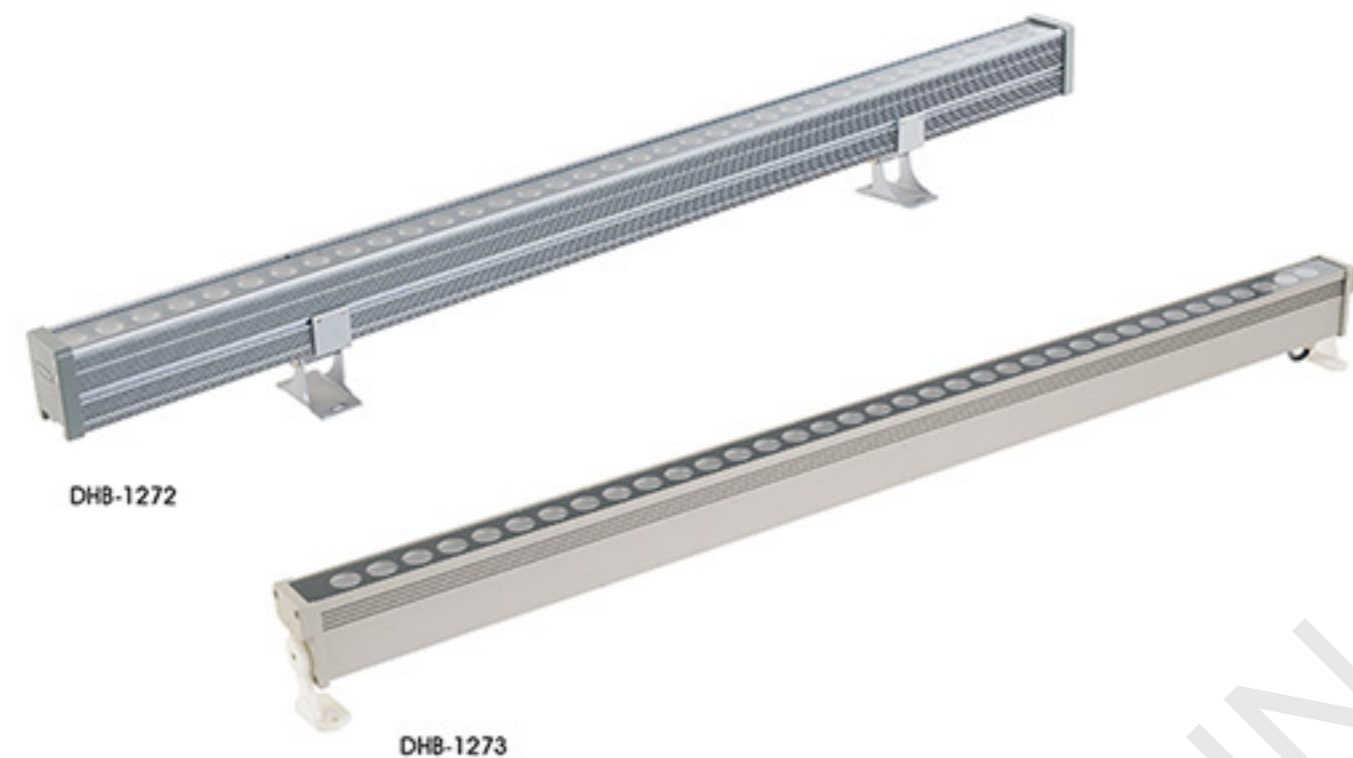


Wall Washer Light Series

DHB-1272/DHB-1273

Material: aluminum alloy lamp body, Aksu outdoor ultraviolet polyester powder spraying, aluminum natural color oxidation treatment, 3mm reinforced safety glass, stainless steel fixing screws.

Application: Decorative for architecture and buildings contours, bridge lighting, step lighting.



DHB-1274/DHB-1275

Material: aluminum alloy lamp body, Aksu outdoor ultraviolet polyester powder spraying, aluminum natural color oxidation treatment, 3mm reinforced safety glass, stainless steel fixing screws.

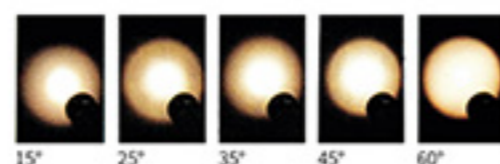
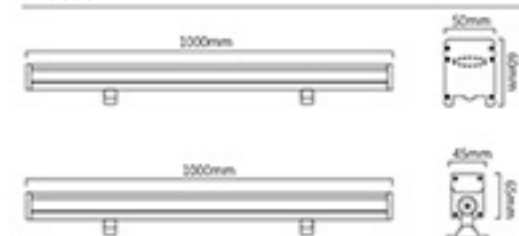
Application: Decorative for architecture and buildings contours, bridge lighting, step lighting.



Model NO.	Lamp	Power	Voltage	Color Temperature
DHB-1272	LED	18W/24W/36W	DC 24V	3000K 6000K RGBW
DHB-1273	LED	36W	DC 24V	



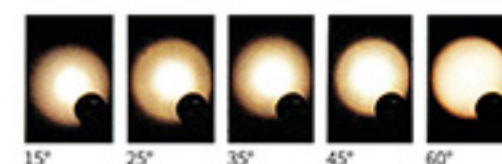
Dimensions



Model NO.	Lamp	Power	Voltage	Color Temperature
DHB-1274	LED	18W/24W	DC 24V	3000K 6000K RGBW
DHB-1275	LED	18W/24W/36W	DC 24V	



Dimensions





DHB-1276/DHB-1277

Material: aluminum alloy lamp body, Aksu outdoor ultraviolet polyester powder spraying, aluminum natural color oxidation treatment, 3mm reinforced safety glass, stainless steel fixing screws.

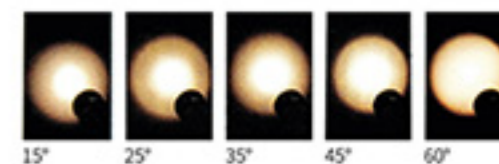
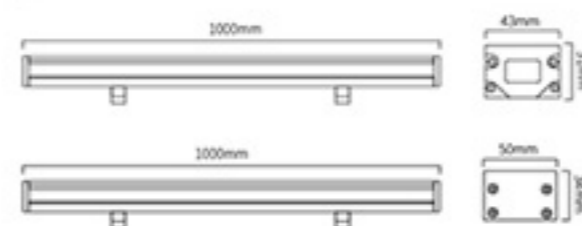
Application: Decorative for architecture and buildings contours, bridge lighting, step lighting.



Model NO.	Lamp	Power	Voltage	Color Temperature
DHB-1276	LED	36W	DC 24V	<input type="checkbox"/> 3000K <input type="checkbox"/> 6000K
DHB-1277	LED	36W	DC 24V	<input type="checkbox"/> 3000K <input type="checkbox"/> 6000K <input type="checkbox"/> RGB



Dimensions

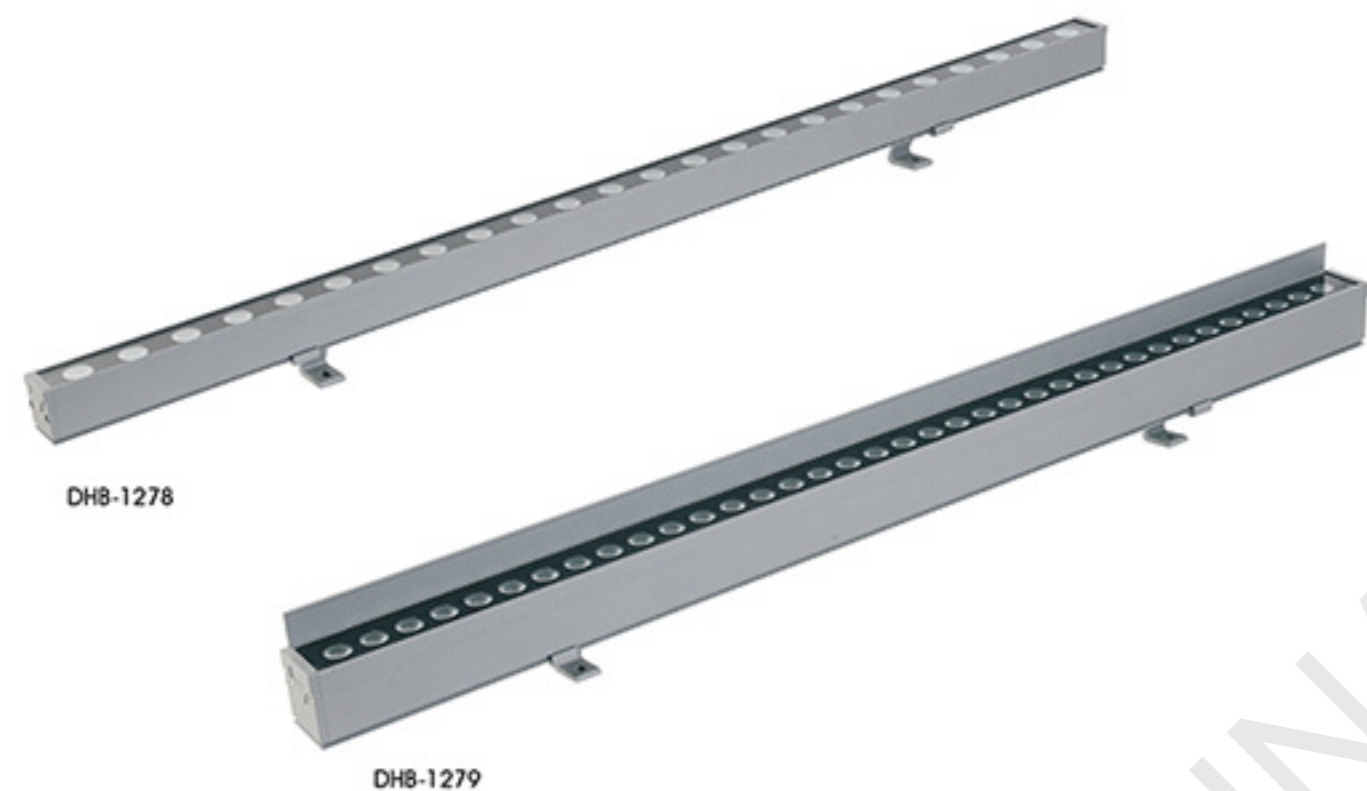


Wall Washer Light Series

DHB-1278/DHB-1279

Material: aluminum alloy lamp body, Aksu outdoor ultraviolet polyester powder spraying, aluminum natural color oxidation treatment, 3mm reinforced safety glass, stainless steel fixing screws.

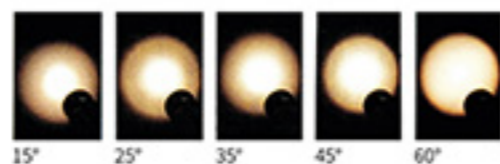
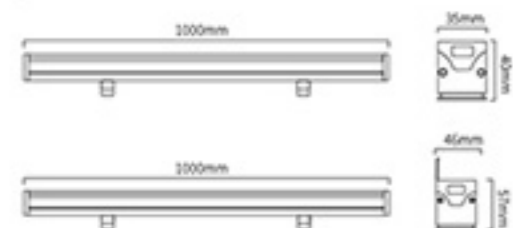
Application: Decorative for architecture and buildings contours, bridge lighting, step lighting.



Model NO.	Lamp	Power	Voltage	Color Temperature
DHB-1278	LED	18W/24W	DC 24V	<input type="checkbox"/> 3000K <input type="checkbox"/> 6000K
DHB-1279	LED	36W	DC 24V	



Dimensions



DHB-1280/DHB-1281

Material: aluminum alloy lamp body, Aksu outdoor ultraviolet polyester powder spraying, aluminum natural color oxidation treatment, 3mm reinforced safety glass, stainless steel fixing screws.

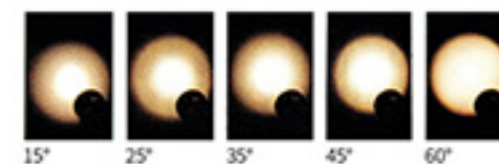
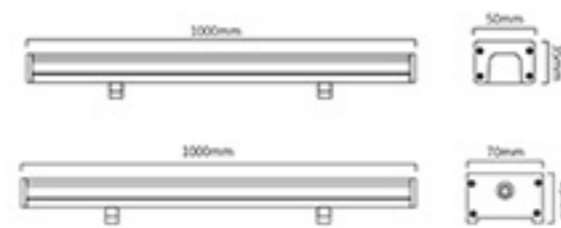
Application: Decorative for architecture and buildings contours, bridge lighting, step lighting.



Model NO.	Lamp	Power	Voltage	Color Temperature
DHB-1280	LED	48W	DC 24V	<input type="checkbox"/> 3000K <input type="checkbox"/> 6000K
DHB-1281	LED	24x3W	DC 24V	



Dimensions



Wall Washer Light Series

DHB-1282/DHB-1283

Material: aluminum alloy lamp body, Aksu outdoor ultraviolet polyester powder spraying, aluminum natural color oxidation treatment, 3mm reinforced safety glass, stainless steel fixing screws.

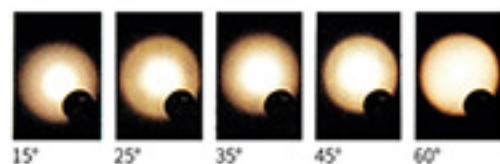
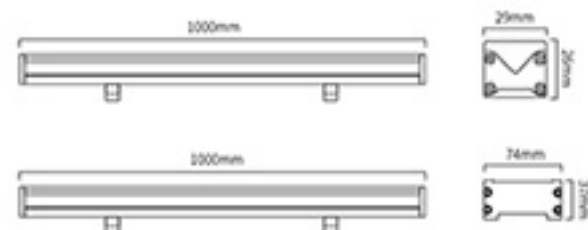
Application: Decorative for architecture and buildings contours, bridge lighting, step lighting.



Model NO.	Lamp	Power	Voltage	Color Temperature
DHB-1282	LED	18W	DC 24V	<input type="checkbox"/> 3000K <input type="checkbox"/> 6000K
DHB-1283	LED	72W	DC 24V	<input type="checkbox"/> 3000K <input type="checkbox"/> 6000K <input type="checkbox"/> RGB



Dimensions



DHB-1284

Material: aluminum alloy lamp body, Aksu outdoor ultraviolet polyester powder spraying, aluminum natural color oxidation treatment, 3mm reinforced safety glass, stainless steel fixing screws.

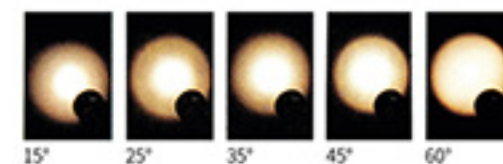
Application: Decorative for architecture and buildings contours, bridge lighting, step lighting.



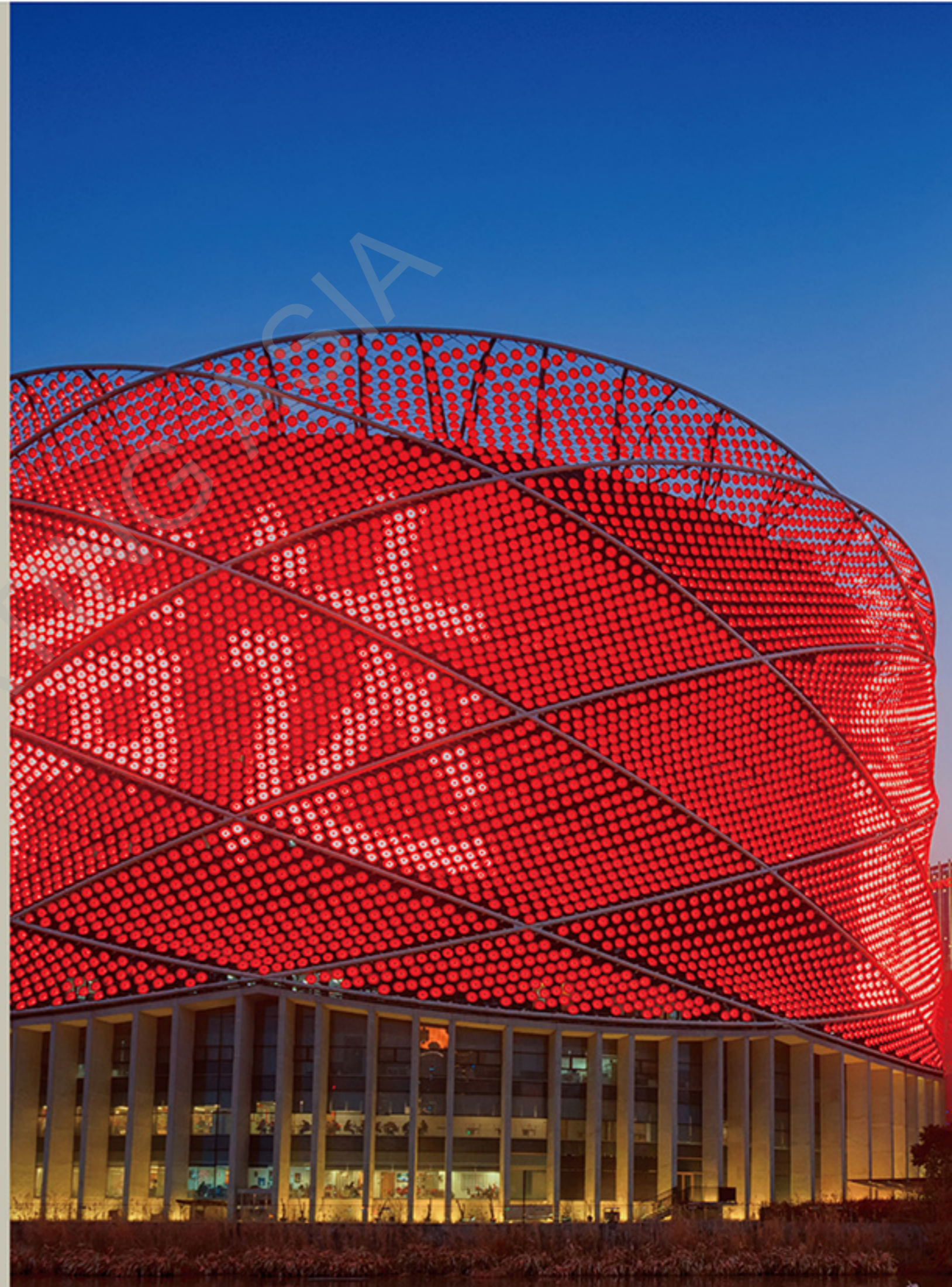
Lamp	Power	Voltage	Color Temperature
LED	12W/18W/24Wx2	DC 24V	<input type="checkbox"/> 3000K <input type="checkbox"/> 6000K



Dimensions



POINT SOURCE SERIES



Point Source Series

DHB-1355/DHB-1356
DHB-1357/DHB-1358

Material: The whole lamp body is ADC12 die cast aluminum, Aksu outdoor anti ultraviolet polyester powder spraying treatment, optical lens and stainless steel fixing screws.

Application: Decorative for architecture, amusement park, bill board, street and stage.



DHB-1355



DHB-1357



DHB-1356



DHB-1358

Model NO.	Lamp	Power	Voltage	Color Temperature
DHB-1355	LED	3W/5W	DC 24V	<input type="checkbox"/> 3000K <input type="checkbox"/> 6000K
DHB-1356	LED	3W/5W		<input checked="" type="checkbox"/> RGB <input checked="" type="checkbox"/> RGBW
DHB-1357	LED	3W/5W		
DHB-1358	LED	3W/5W		



Dimensions



120°

DHB-1359

Material: The whole lamp body is ADC12 die cast aluminum, Aksu outdoor anti ultraviolet polyester powder spraying treatment, optical lens and stainless steel fixing screws.

Application: Decorative for architecture, amusement park, bill board, street and stage.



Lamp	Power	Voltage	Color Temperature
LED	3W	DC 24V	<input type="checkbox"/> 3000K <input type="checkbox"/> 6000K <input checked="" type="checkbox"/> RGBW



Dimensions



120°

Point Source Series

DHB-1360/DHB-1361

Material: The whole lamp body is ADC12 die cast aluminum, Aksu outdoor anti ultraviolet polyester powder spraying treatment, optical lens and stainless steel fixing screws.

Application: Decorative for architecture, amusement park, bill board, street and stage.



DHB-1360



DHB-1361

Model NO.	Lamp	Power	Voltage	Color Temperature
DHB-1360	LED	9W	DC 24V	3000K 6000K RGB
DHB-1361	LED	20W	DC 24V	3000K 6000K



Dimensions



DHB-1362/DHB-1363/DHB-1364

Material: The whole lamp body is ADC12 die cast aluminum, Aksu outdoor anti ultraviolet polyester powder spraying treatment, optical lens and stainless steel fixing screws.

Application: Decorative for architecture, amusement park, bill board, street and stage.



DHB-1362

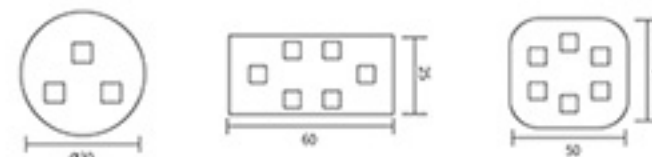
DHB-1363

DHB-1364

Model NO.	Lamp	Power	Voltage	Color Temperature
DHB-1362	LED	0.75W	DC 12V	3000K 6000K
DHB-1363	LED	1.2W	DC 24V	RGB RGBW
DHB-1364	LED	1.5W	DC 24V	



Dimensions



TRICK LIGHT SERIES



Trick Light Series

DHB-1365/DHB-1366/DHB-1367

Material: The whole lamp body is ADC12 die cast aluminum, Aksu outdoor anti ultraviolet polyester powder spraying treatment, optical lens and stainless steel fixing screws.

Application: Architecture, window and corridor/hall-way lighting.



DHB-1365



DHB-1367

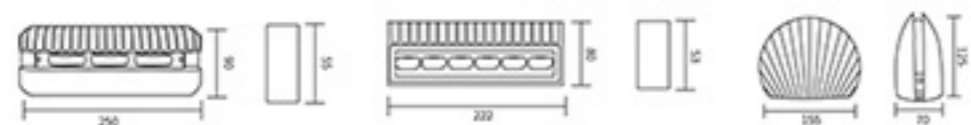


DHB-1366

Model NO.	Lamp	Power	Voltage	Color Temperature
DHB-1365	LED	30W	DC 24V/AC 220V	3000K 6000K
DHB-1366	LED	20W		
DHB-1367	LED	12W		



Dimensions



DHB-1368/DHB-1369/DHB-1370

Material: The whole lamp body is ADC12 die cast aluminum, Aksu outdoor anti ultraviolet polyester powder spraying treatment, optical lens and stainless steel fixing screws.

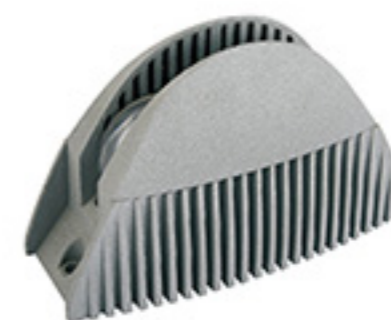
Application: Architecture, window and corridor/hall-way lighting.



DHB-1368



DHB-1370



DHB-1369

Model NO.	Lamp	Power	Voltage	Color Temperature
DHB-1368	LED	10W	DC 24V	3000K 6000K
DHB-1369	LED	6x3W		
DHB-1370	LED	3W		



Dimensions



Trick Light Series

DHB-1371/DHB-1372/DHB-1373

Material: The whole lamp body is ADC12 die cast aluminum, Aksu outdoor anti ultraviolet polyester powder spraying treatment, optical lens and stainless steel fixing screws.

Application: Architecture, window and corridor/hall-way lighting.



DHB-1371



DHB-1372



DHB-1373

Model NO.	Lamp	Power	Voltage	Color Temperature
DHB-1371	LED	3x3W	DC 24V	3000K 6000K
DHB-1372	LED	3x3W		
DHB-1373	LED	12W		



Dimensions



DHB-1374/DHB-1375/DHB-1376

Material: The whole lamp body is ADC12 die cast aluminum, Aksu outdoor anti ultraviolet polyester powder spraying treatment, optical lens and stainless steel fixing screws.

Application: Architecture, window and corridor/hall-way lighting.



DHB-1374



DHB-1376



DHB-1375

Model NO.	Lamp	Power	Voltage	Color Temperature
DHB-1374	LED	3x3W	DC 24V	3000K 6000K
DHB-1375	LED	3x3Wx2		
DHB-1376	LED	3x3Wx3		



Dimensions

