

Chandelle™ Series
Indoor Architectural
Lighting

Catalogue 2023

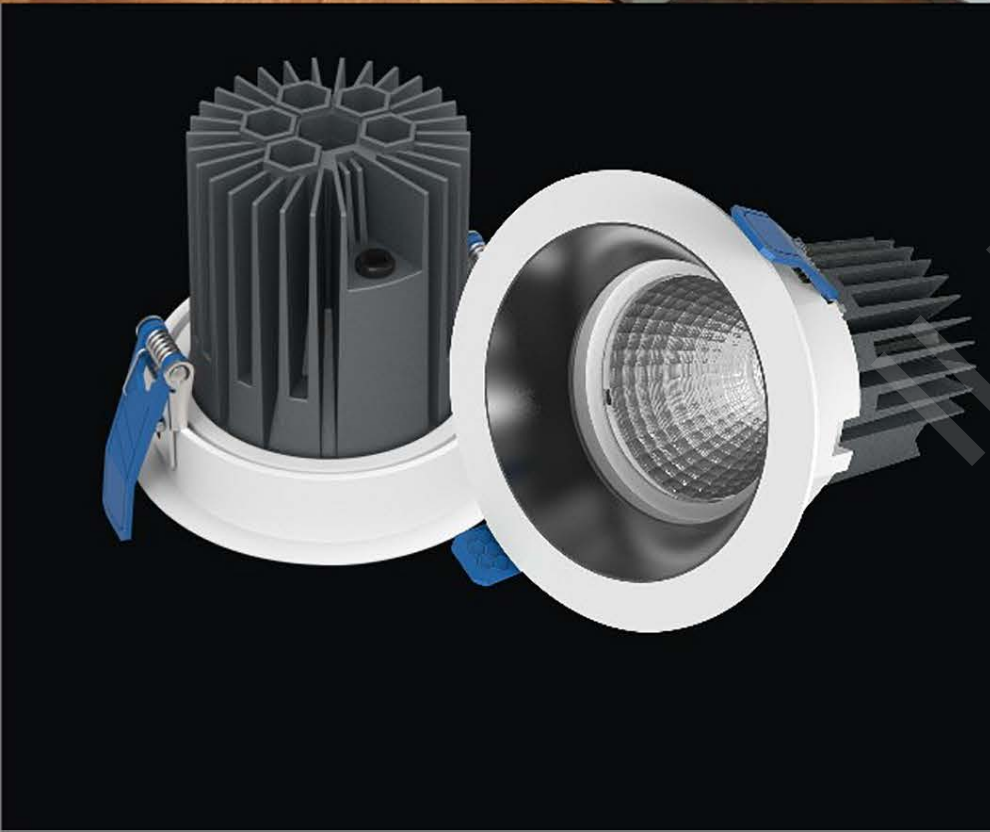




AU
Hotel Project

P50 V2 Series Downlight

25W Silver Finish
4000K UGR<19
Flicker FRRE IP44



P08 A1 Series Downlight

15W Black Reflector
3000K CRI90
UGR<10

EU
Hospital Project





SEA Office Bar Project

P80 C8 Series Track Light

20W Driver built-in
3000K UGR<19
Flicker FRRE



P60&P62 S1 S2 Series Spot light

10W 15W
3000K CR180
UGR<16

HK Clothes Project



CONTENT

COB Downlight



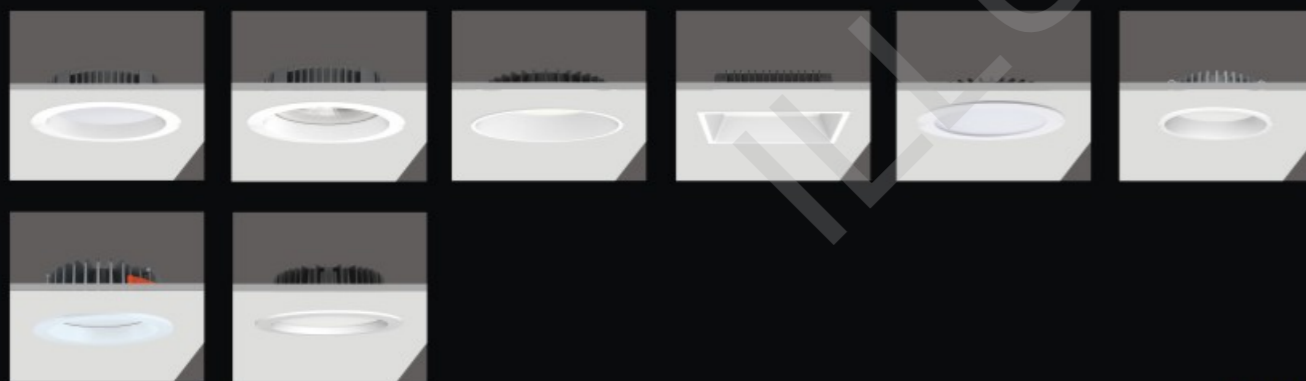
01-14

Module



15-38

SMD Downlight



39-50

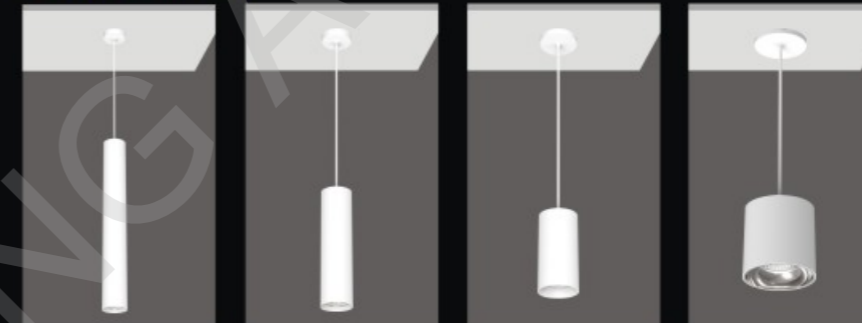
CONTENT

Mounted



51-58

Suspended



59-62

Track Light



63-78

Grille Light



79-80

Trunk Light

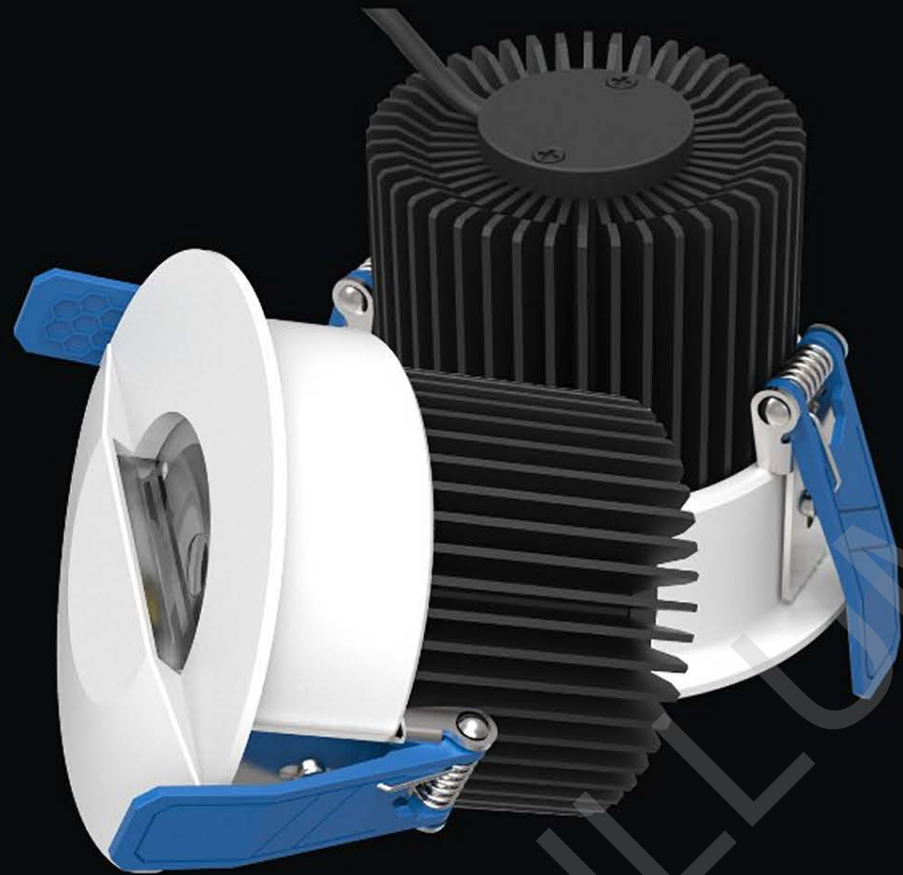


81-82

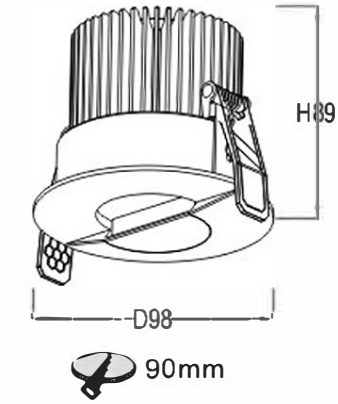


Wall Washer W1 Series

Wash the wall from the top to down



Color Finish:White+Black
 Input Power:220-240V 50/60Hz
 Ceiling Thickness Request:4mm-25mm



Order Table

Code	Watt	Beam Angle	CCT	CRI	Size	Cutout
HW03-W1-PL	10/15/20/25W	/	2700K-5000K	80/90/97	D98*H89	90

Spec.

LED Chip:Citizen COB
 System Lumen:75-85lm/W
 Driver:Tridonic/Lifud etc.
 Dim Option:DALI/Triac/0-10V etc.
 IP:20

Beam Angle:



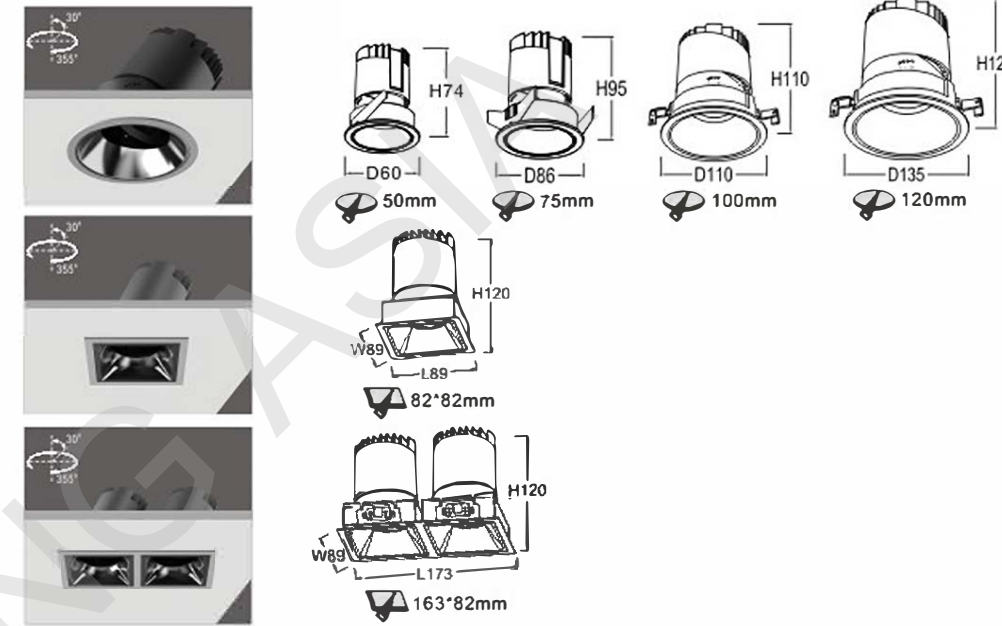
Wall Washer Range



Wall Washer W2 Series PRO wall washer specialist I



Color Finish: White+Ash Silver
 Input Power: 220-240V 50/60Hz
 Ceiling Thickness Request: 4mm-25mm
 UGR<10



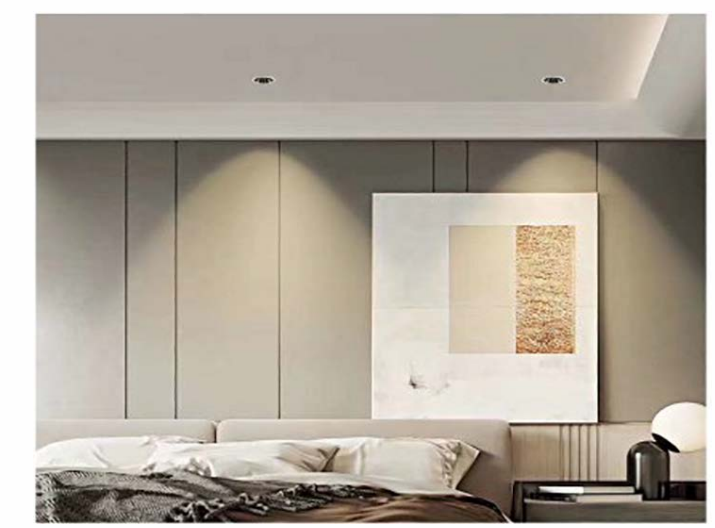
Order Table

Code	Watt	Beam Angle	CCT	CRI	Size	Cutout
HW02-W2-FR/MR	5/7W	15/24/36°	2700K-5000K	80/90/97	D60*H74	50
HW03-W2-FR/MR	7/10W	15/24/36°	2700K-5000K	80/90/97	D86*H95	75
HW04-W2-FR/MR	15/20W	15/24/36°	2700K-5000K	80/90/97	D110*H110	100
HW05-W2-FR/MR	25/30W	15/24/36°	2700K-5000K	80/90/97	D135*H120	120
HW03-W2-SG	7/10W	15/24/36°	2700K-5000K	80/90/97	L89*W89*H120	82*82
HW03-W2-DG	14/20W	15/24/36°	2700K-5000K	80/90/97	L173*W89*H120	163*82

Spec.

LED Chip: Citizen/Philips COB
 System Lumen: 85-95lm/W
 Driver: Tridonic/Lifud etc.
 Dim Option: DALI/Triac/0-10V etc.
 IP: 20

Beam Angle:



Wall Washer Range

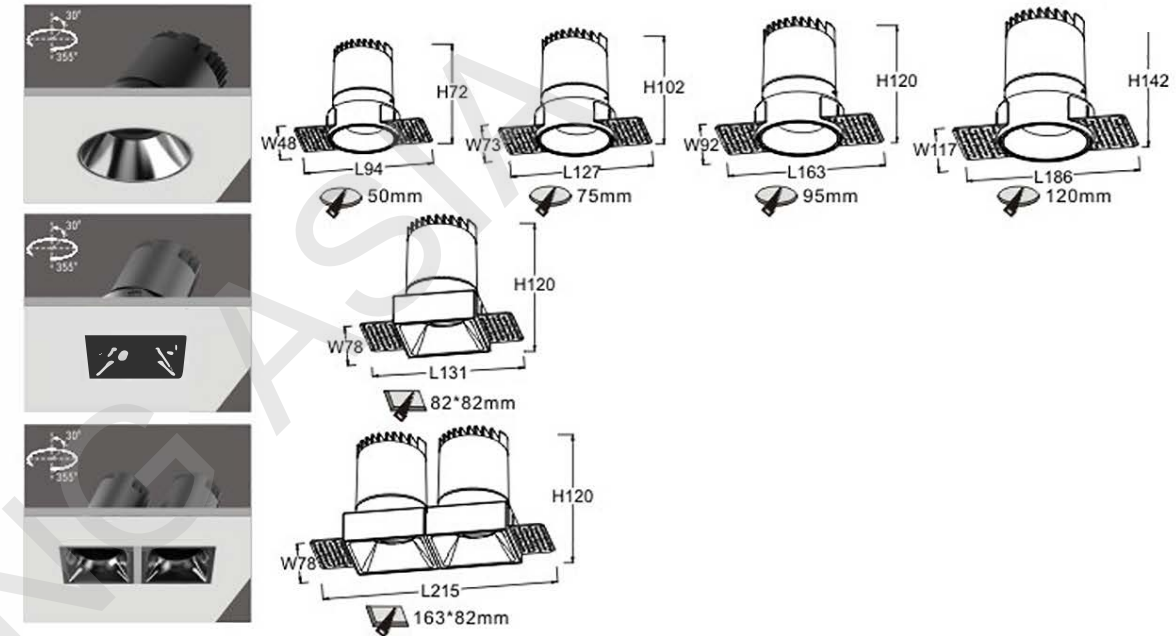


Wall Washer W2 Trimless Series

PRO wall washer specialist II



Color Finish: White+Ash Silver
 Input Power: 220-240V 50/60Hz
 Ceiling Thickness Request: 4mm-25mm
 UGR<10



Order Table

Code	Watt	Beam Angle	CCT	CRI	Size	Cutout
HW02-W2-FT/MT	5/7W	15/24/36°	2700K-5000K	80/90/97	L94*W48*H74	50
HW03-W2-FT/MT	7/10W	15/24/36°	2700K-5000K	80/90/97	L127*W73*H102	75
HW04-W2-FT/MT	15/20W	15/24/36°	2700K-5000K	80/90/97	L163*W92*H120	95
HW05-W2-FT/MT	25/30W	15/24/36°	2700K-5000K	80/90/97	L186*W117*H142	120
HW03-W2-ST	7/10W	15/24/36°	2700K-5000K	80/90/97	L131*W78*H120	82*82
HW03-W2-DT	14/20W	15/24/36°	2700K-5000K	80/90/97	L215*W78*H120	163*82

Spec.

LED Chip: Citizen/Philips COB
 System Lumen: 85-95lm/W
 Driver: Tridonic/Lifud etc.
 Dim Option: DALI/Triac/0-10V etc.
 IP: 20

Beam Angle:

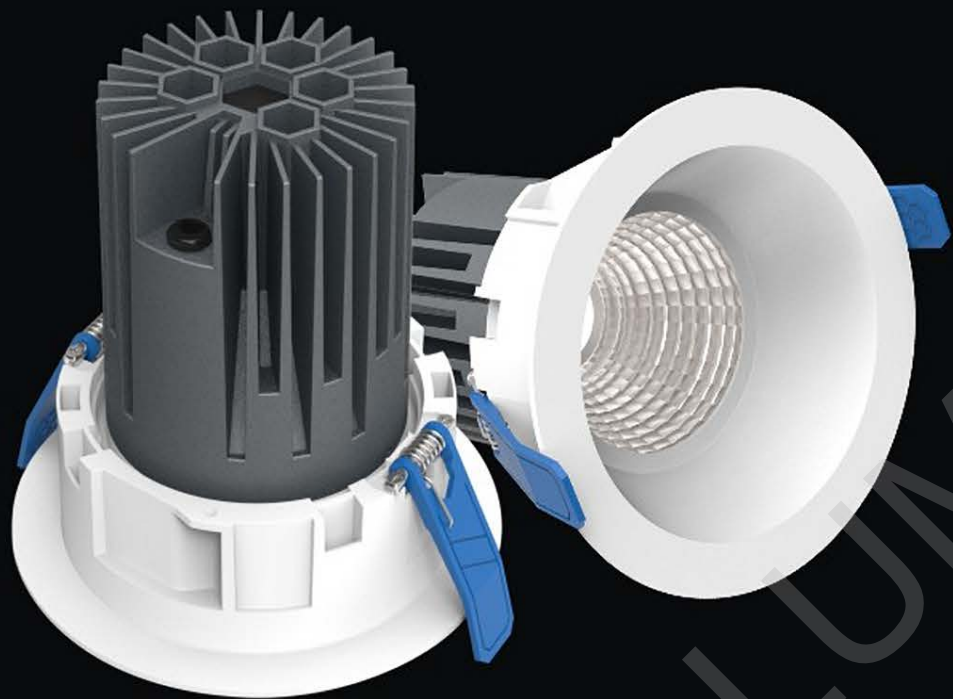


COB Downlight Range



N0 Glare Comfort A1 Series

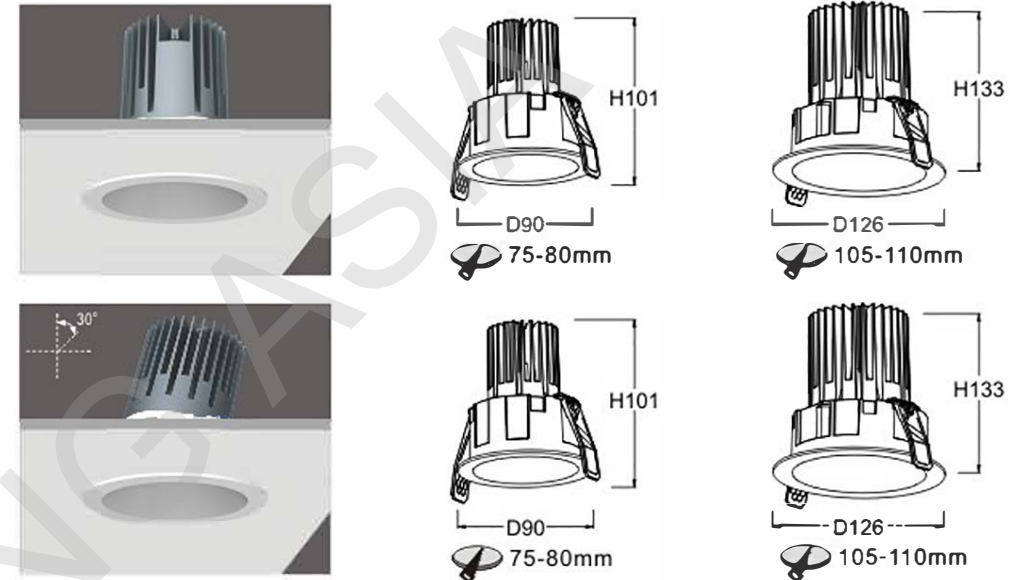
Light is the soul of the building



IP44 IP20



Color Finish: White+Ash Silver
 Input Power: 220-240V 50/60Hz
 Ceiling Thickness Request: 4mm-25mm
 UGR<16



Order Table

Code	Watt	Beam Angle	CCT	CRI	Size	Cutout
HC03-A1-FR	7/10W	15/24/36/60°	2700K-5000K	80/90/97	D90*H100	75-80
HC04-A1-FR	15/20/25/30W	15/24/36/60°	2700K-5000K	80/90/97	D125*H125	105-110
HC03-A1-AR	7/10W	15/24/36/60°	2700K-5000K	80/90/97	D90*H100	75-80
HC04-A1-AR	15/20/25/30W	15/24/36/60°	2700K-5000K	80/90/97	D125*H125	105-110

Spec.

LED Chip: Citizen/Philips COB
 System Lumen: 90-100lm/W
 Driver: Tridonic/Lifud etc.
 Dim Option: DALI/Triac/0-10V etc.
 IP: 20/44

Beam Angle:



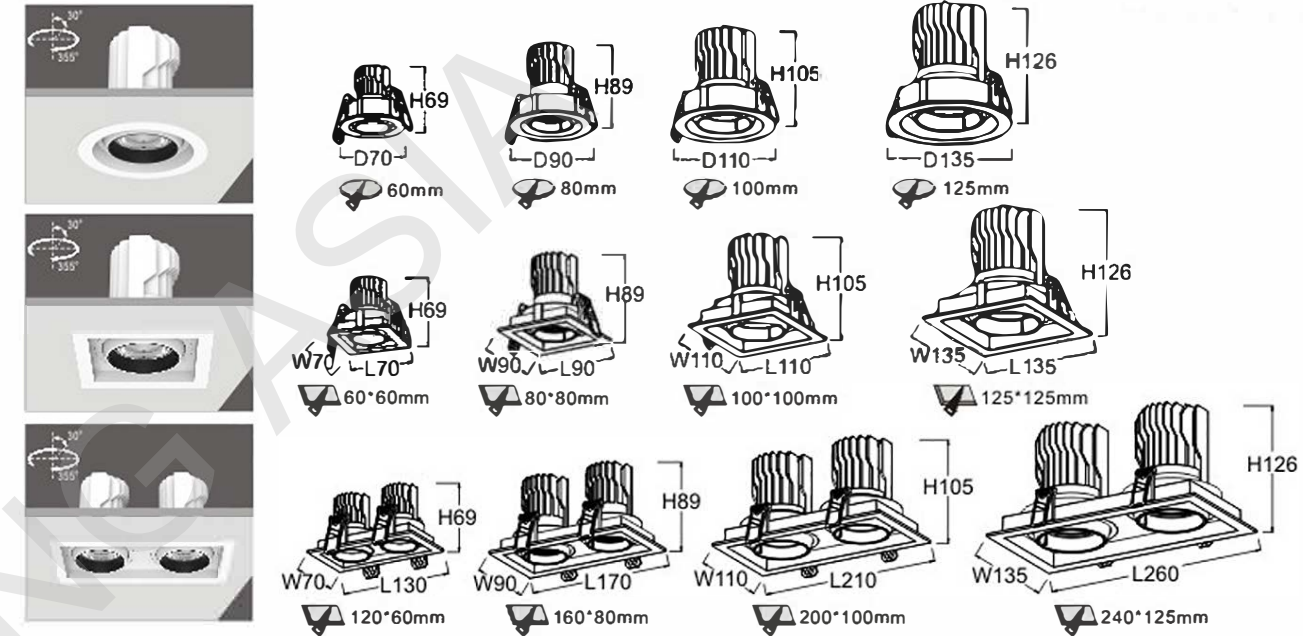
COB Downlight Range



Attractive Design A2 Series

Multi-direction, focus every corner

Color Finish: White
 Input Power: 220-240V 50/60Hz
 Ceiling Thickness Request: 4mm-25mm
 UGR<16



Order Table

	Watt	Beam Angle	CCT	CRI	Size	Cutout
HC02-A2-MR	5/7W	15/24/36°	2700K-5000K	80/90/97	D70*H69	60
HC03-A2-MR	7/10W	15/24/36°	2700K-5000K	80/90/97	D90*H89	80
HC04-A2-MR	15/20W	15/24/36°	2700K-5000K	80/90/97	D110*H105	100
HC05-A2-MR	20/25/30W	15/24/36°	2700K-5000K	80/90/97	D135*H126	125
HC02-A2-MS	5/7W	15/24/36°	2700K-5000K	80/90/97	L70*W70*H69	60*60
HC03-A2-MS	7/10W	15/24/36°	2700K-5000K	80/90/97	L90*W90*H89	80*80
HC04-A2-MS	15/20W	15/24/36°	2700K-5000K	80/90/97	L110*W110*H105	100*100
HC05-A2-MS	20/25/30W	15/24/36°	2700K-5000K	80/90/97	L135*W135*H126	125*125
HC02-A2-MG	2*5/7W	15/24/36°	2700K-5000K	80/90/97	L130*W70*H69	120*60
HC03-A2-MG	2*7/10W	15/24/36°	2700K-5000K	80/90/97	L170*W90*H89	160*80
HC04-A2-MG	2*15/20W	15/24/36°	2700K-5000K	80/90/97	L210*W110*H105	200*100
HC05-A2-MG	2*25/30W	15/24/36°	2700K-5000K	80/90/97	L260*W135*H126	240*125

Spec.

LED Chip: Citizen/Philips COB
 System Lumen: 85-105lm/W
 Driver: Tridonic/Lifud/Eaglerise etc.
 Dim Option: DALI/Triac/0-10V etc.
 IP: 20

Beam Angle:

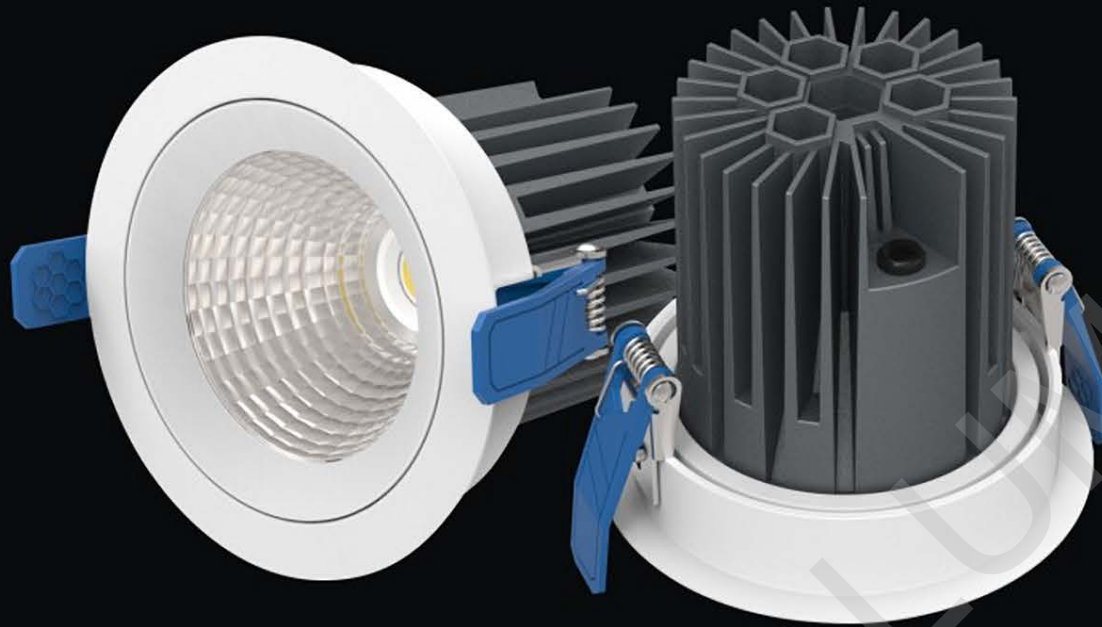


COB Downlight Range



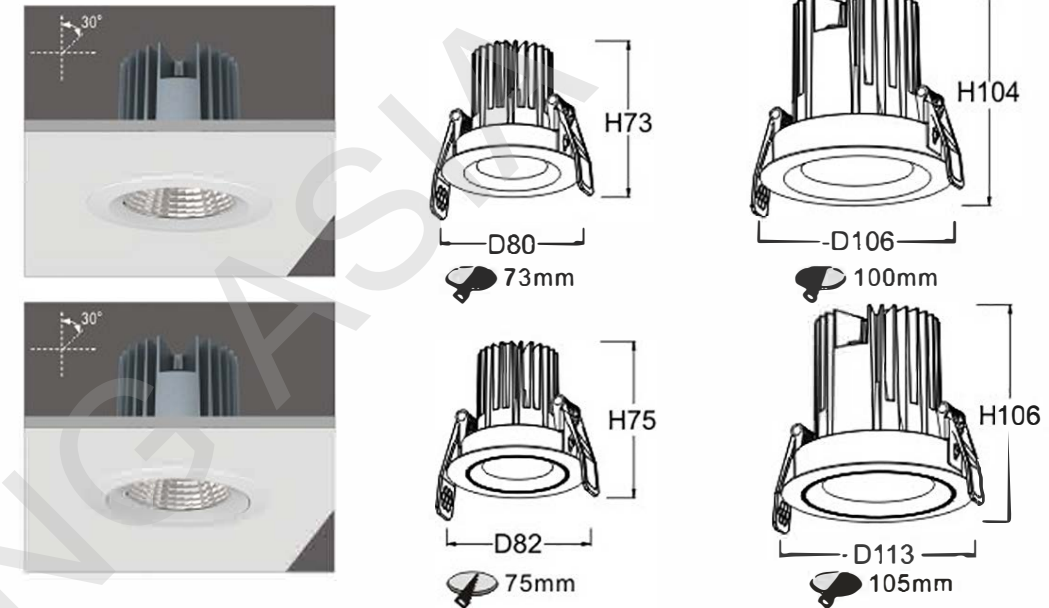
Flat Ring F1 Series

Fill the space with smooth brightness



IP44 IP20

Color Finish: White+Ash Silver
 Input Power: 220-240V 50/60Hz
 Ceiling Thickness Request: 4mm-25mm
 UGR<19



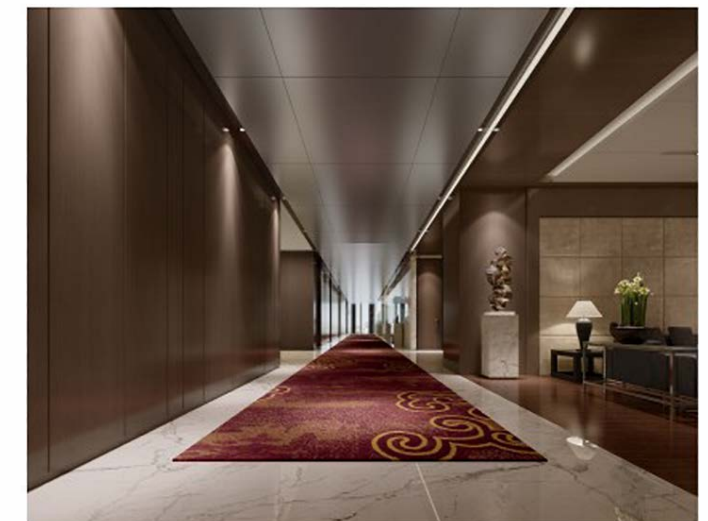
Order Table

Code	Watt	Beam Angle	CCT	CRI	Size	Cutout
HC03-F1-FR	7/10W	15/24/36/60°	2700K-5000K	80/90/97	D80*H73	75
HC04-F1-FR	15/20/25/30W	15/24/36/60°	2700K-5000K	80/90/97	D106*H104	100
HC03-F1-AR	7/10W	15/24/36/60°	2700K-5000K	80/90/97	D82*H75	75
HC04-F1-AR	15/20/25/30W	15/24/36/60°	2700K-5000K	80/90/97	D113*H106	105

Spec.

LED Chip: Citizen/Philips COB
 System Lumen: 95-110lm/W
 Driver: Tridonic/Lifud etc.
 Dim Option: DALI/Triac/0-10V etc.
 IP: 20/44

Beam Angle:





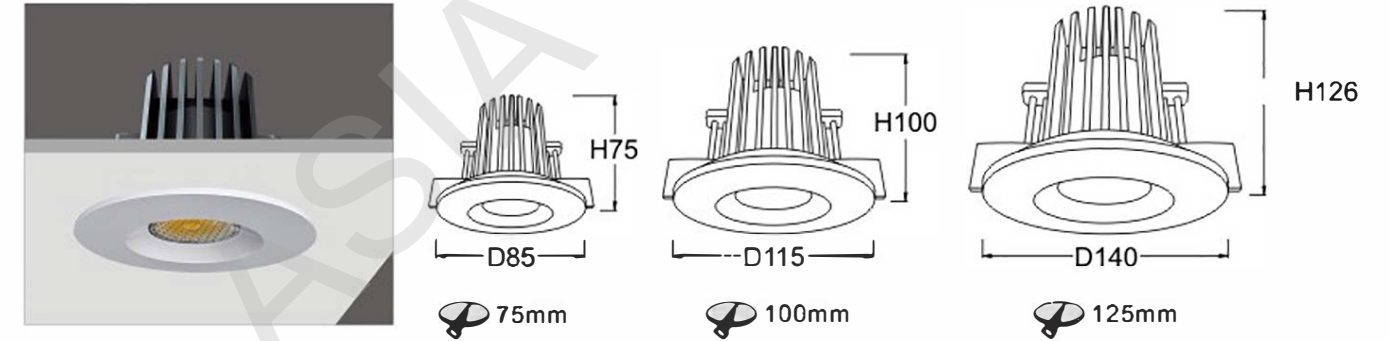
Flat Ring F2 Series

Waterproof design with honeycomb



IP65

Color Finish: White+Ash Silver
 Input Power: 220-240V 50/60Hz
 Ceiling Thickness Request: 4mm-25mm
 UGR<10



Order Table

Code	Watt	Beam Angle	CCT	CRI	Size	Cutout
HC03-F2-FR	7/10W	15/24/36°	2700K-5000K	80/90/97	D85*H75	75
HC04-F2-FR	15/20W	15/24/36°	2700K-5000K	80/90/97	D115*H100	100
HC05-F2-FR	25/30W	15/24/36°	2700K-5000K	80/90/97	D140*H126	125

Spec.

LED Chip: Philips/Cree COB
 System Lumen: 75-85lm/W
 Driver: Tridonic/Lifud/LK etc.
 Dim Option: DALI/Triac/0-10V etc.
 IP: 65

Beam Angle:





New Design
Spring Connection

Strong
Steady
Convenient

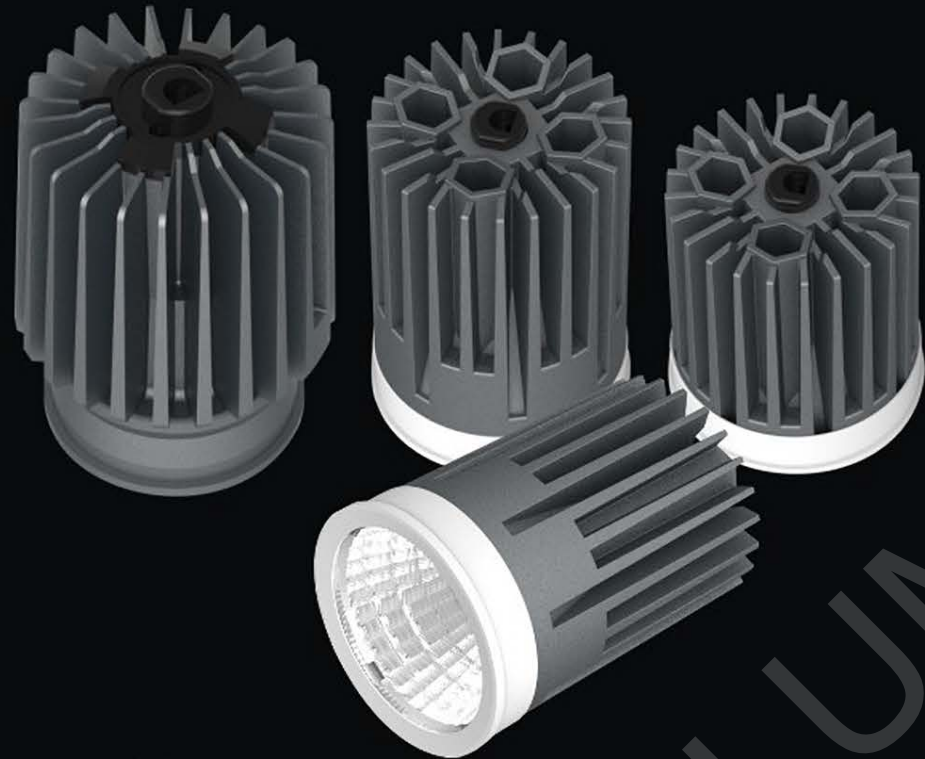


Module Range

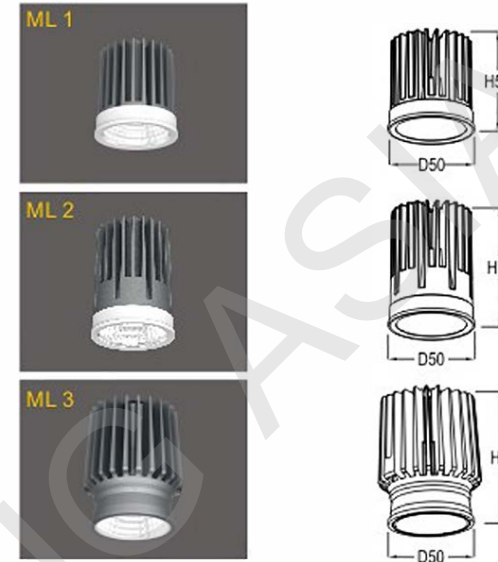


LED Module Series

Patent design replaceable module family



Color Finish: White+Ash Silver
Input Power: 220-240V 50/60Hz
UGR<19



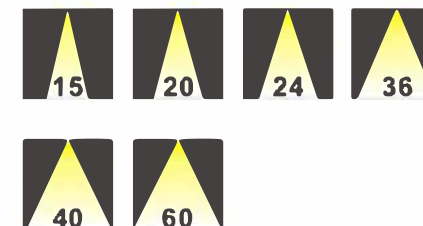
Order Table

Code	Watt	Beam Angle	CCT	CRI	Size
HC03-ML1-R	5/7W	15/24/36/60°	2700K-5000K	80/90/97	D50*H56
HC03-ML2-R	7/10W	15/24/36/60°	2700K-5000K	80/90/97	D50*H71
HC03-ML3-R	12/15W	20/40°	2700K-5000K	80/90/97	D50*H81

Spec.

LED Chip: Citizen/Philips/Sanan COB
System Lumen: 90-110lm/W
Driver: Tridonic/Lifud/Done etc.
Dim Option: DALI/Triac/0-10V etc.
IP: 20/44

Beam Angle:

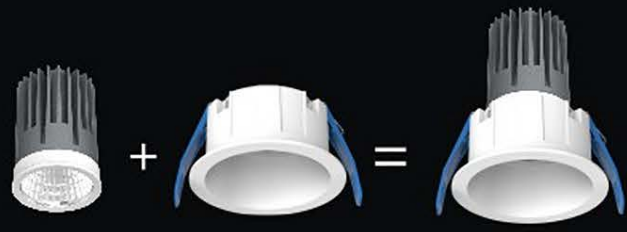


Module Ring Table

 A01 $\varnothing 75$	 A02 $\varnothing 75$	 B01 $\varnothing 75$	 B02 $\varnothing 75$	 B03 $\varnothing 85$
 B04 $\varnothing 75$	 B05 $\varnothing 75$	 B06 $\varnothing 75$	 C01 $\varnothing 75$	 D01 $\varnothing 75$
 D02 $\varnothing 75$	 D03 $\varnothing 75$	 D04 $\varnothing 75$	 D05 $\varnothing 75$	 D06 $\varnothing 75$
 D07 $\varnothing 75$	 D08 $\varnothing 75$	 E01 $\varnothing 85$	 E02 80×80	 E03 $\varnothing 70$
 E04 $\varnothing 70$	 E05 $\varnothing 70$	 E06 $\varnothing 70$	 F01 $\varnothing 75$	 F02 $\varnothing 75$

 F03 $\varnothing 85$	 F04 $\varnothing 85$	 F05 80×80	 F06 $\varnothing 75$	 G01 $\varnothing 75$
 G02 $\varnothing 75$	 G03 $\varnothing 75$	 G04 $\varnothing 75$	 G05 $\varnothing 75$	 G06 $\varnothing 75$
 G07 $\varnothing 90$	 G08 $\varnothing 75$	 G09 $\varnothing 75$	 H01 $\varnothing 75$	 H02 $\varnothing 75$
 H03 $\varnothing 90$	 H04 90×90	 H05 90×175	 H06 90×260	 I01 $\varnothing 100$
 I02 100×100	 I03 100×190	 I04 100×100	 I05 100×190	

Module Range



Color Finish:White
Ceiling Thickness Request:4mm-25mm



Module Ring A Series

Ultimate family, soul design to improve project level



Black

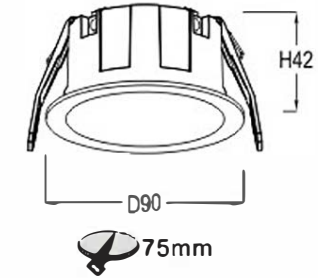
Mirror

Silver

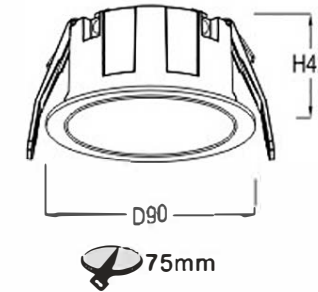
Golden



A01



A02



Module Match Option



Module Range

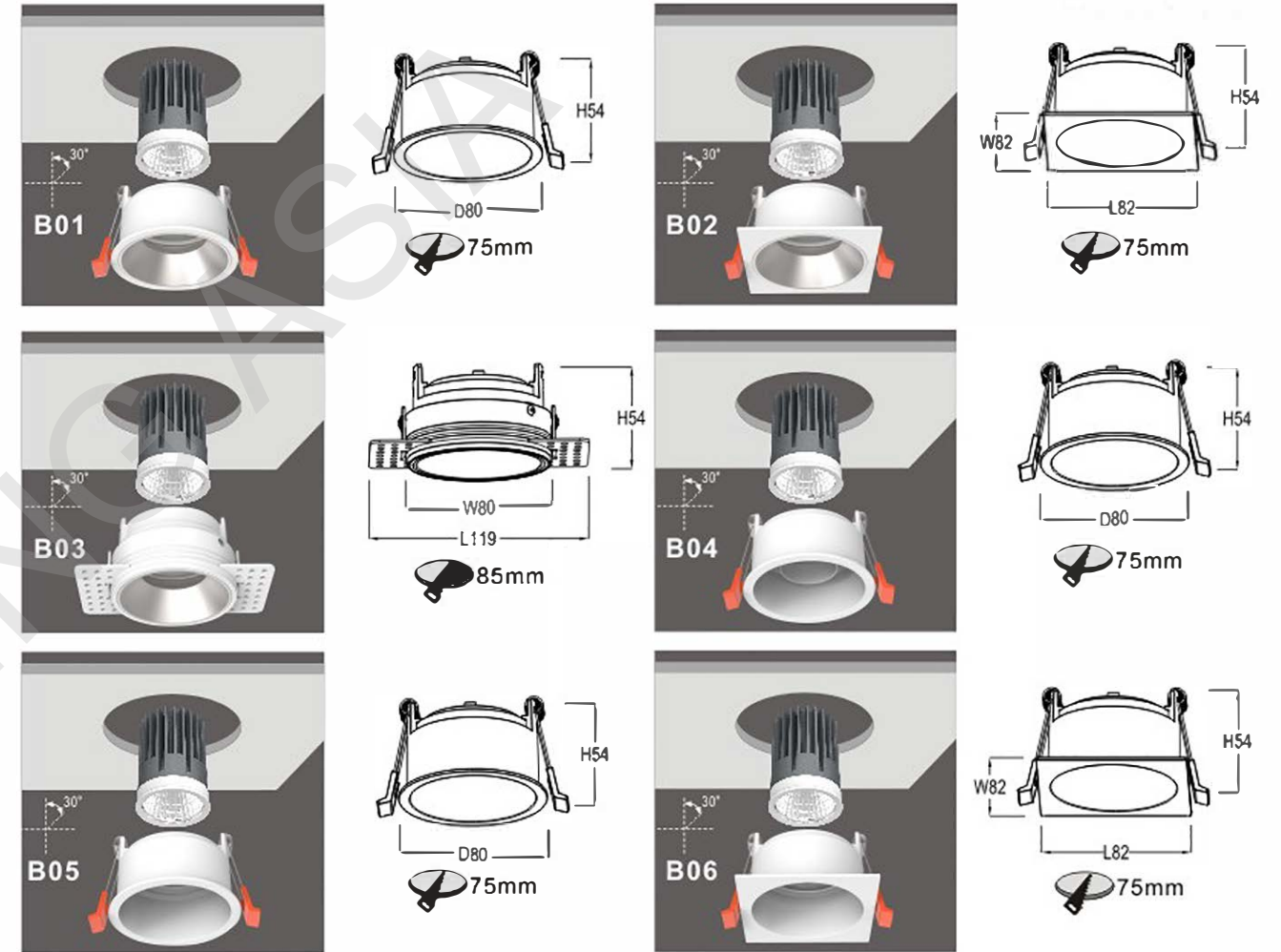


Module Ring B Series

Luxurious family, meeting high-end market



Color Finish: White
Ceiling Thickness Request: 4mm-25mm



Module Match Option



Module Range

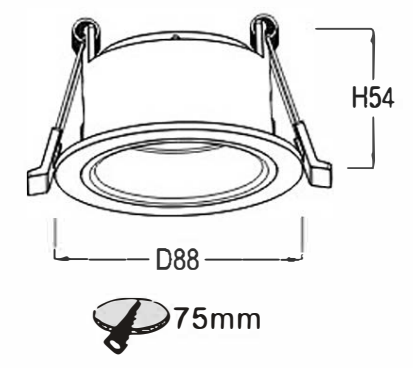


Color Finish: White
Ceiling Thickness Request: 4mm-25mm



Module Ring C Series

Full attachment family, offer whatever you want



Module Match Option



Module Range

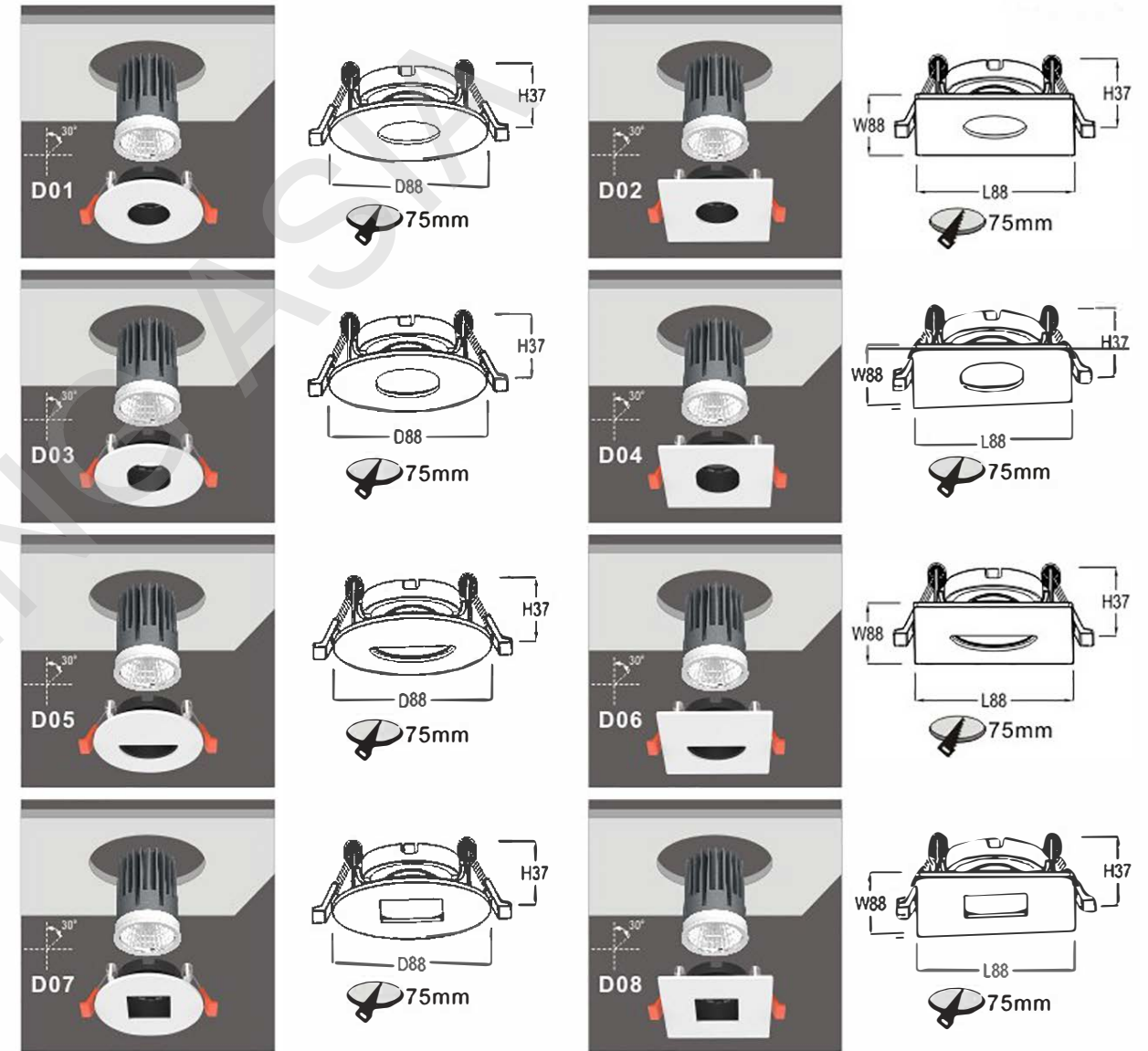


Module Ring D Series

Pinhole family, all kinds of pinholes for options



Color Finish: White
Ceiling Thickness Request: 4mm-25mm



Module Match Option

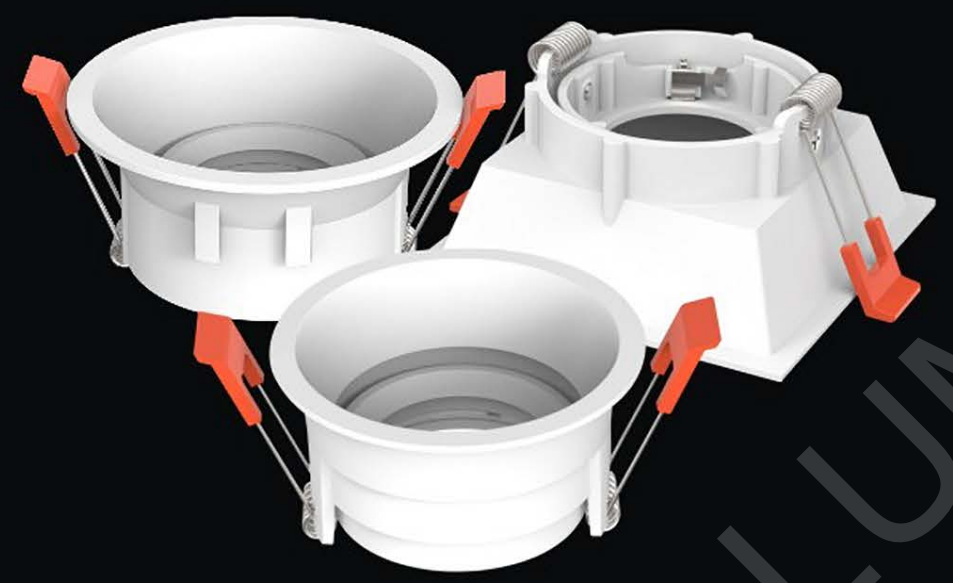


Module Range



Module Ring E Series

Super narrow trim family, popular at this moment



Color Finish: White
Ceiling Thickness Request: 4mm-25mm



<p>E01</p>	<p>D93 H42 70mm</p>	<p>E02</p>	<p>W90 L90 H42 80*80mm</p>
<p>E03</p>	<p>D75 H54 70mm</p>	<p>E04</p>	<p>D75 H54 70mm</p>
<p>E05</p>	<p>D78 H43 70mm</p>	<p>E06</p>	<p>D78 H43 70mm</p>

Module Match Option

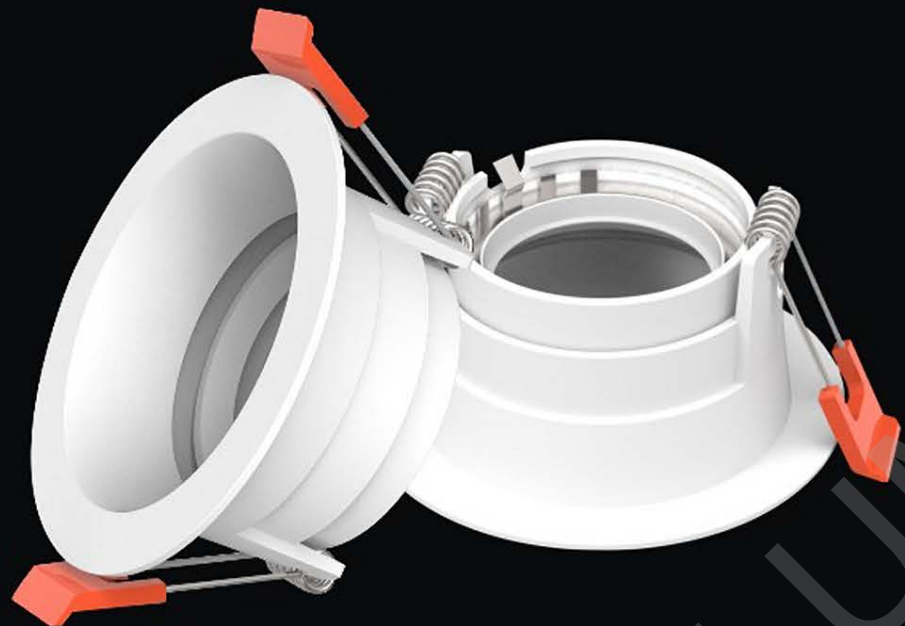


Module Range



Module Ring F Series

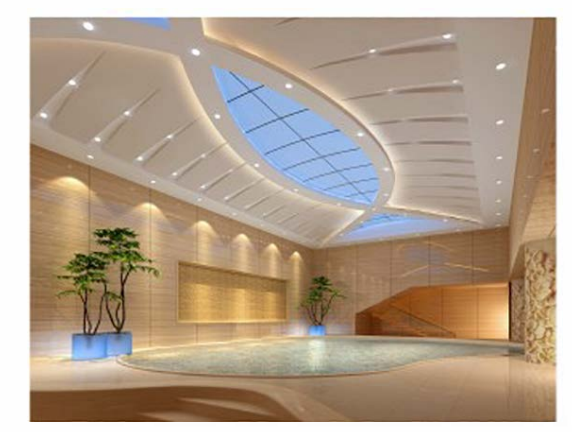
Good Anti-glare family, different inner design change



Color Finish: White
Ceiling Thickness Request: 4mm-25mm

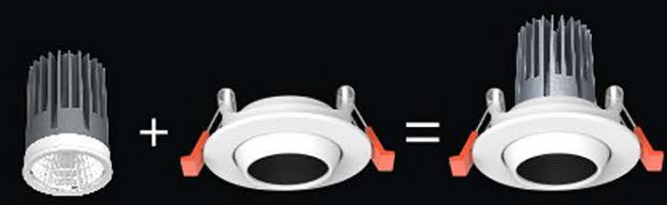


Module Match Option



runk LigOd Grille g t rack gS Sus ended S u you nlig t Module COB own lig t

Module Range



Module Ring G Series

Flat ring family, all kinds of style gathered together



Color Finish: White
Ceiling Thickness Request: 4mm-25mm



Module Match Option



Module Range



Module Ring H Series

Fast replacement family, module can be taken out from front



Color Finish: White
Ceiling Thickness Request: 4mm-25mm

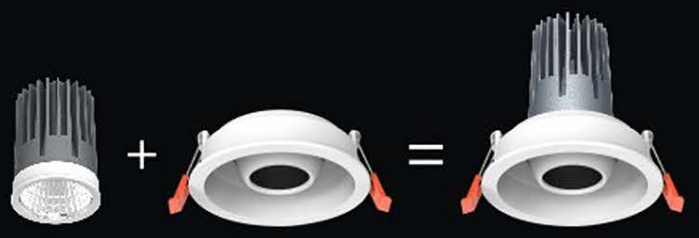


<p>H01</p>		<p>H02</p>	
<p>H03</p>		<p>H04</p>	
<p>H05</p>		<p>H06</p>	

Module Match Option



Module Range



Module Ring I Series

Grille family, convenient to do installation job



Color Finish: White
Ceiling Thickness Request: 4mm-25mm



<p>I01</p>	<p>100mm</p>	<p>I02</p>	<p>100*100mm</p>
<p>I03</p>	<p>100*190mm</p>	<p>I04</p>	<p>100*100mm</p>
<p>I05</p>	<p>100*190mm</p>		

Module Match Option

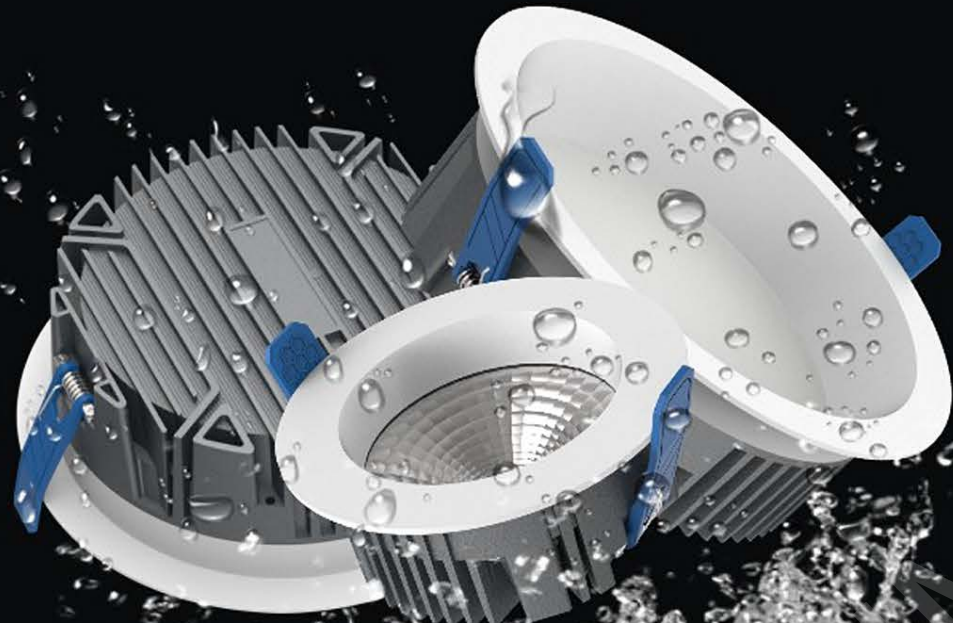


Downlight Range



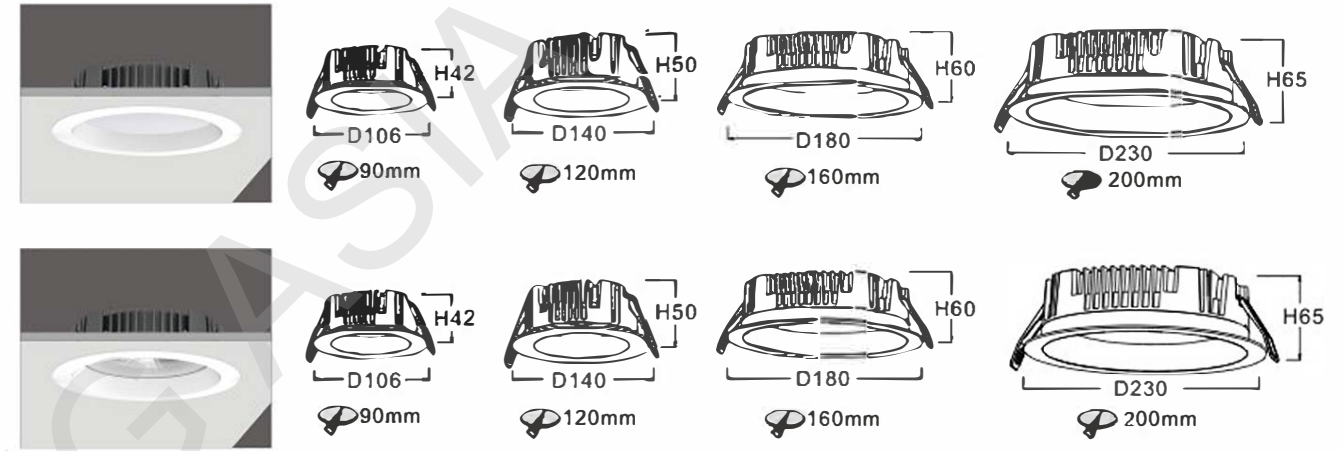
Pretty Soul P1 Series

Soul comes from the design



IP65 IP44 IP20

Color Finish:White+Ash Silver
 Input Power:220-240V 50/60Hz
 Ceiling Thickness Request:4mm-25mm
 UGR<22



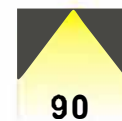
Order Table

Code	Watt	Beam Angle	CCT	CRI	Size	Cutout
HD03-P1-RR	7/10/15W	60°	2700K-6000K	80/90	D106*H42	90
HD03-P1-DR	7/10/15W	90°	2700K-6000K	80/90	D106*H42	90
HD04-P1-RR	10/15/20W	60°	2700K-5000K	80/90	D140*H50	120
HD04-P1-DR	10/15/20W	90°	2700K-6000K	80/90	D140*H50	120
HD06-P1-RR	20/25/30W	60°	2700K-5000K	80/90	D180*H60	160
HD06-P1-DR	20/25/30W	90°	2700K-6000K	80/90	D180*H60	160
HD08-P1-RR	30/35/40W	60°	2700K-5000K	80/90	D230*H65	200
HD08-P1-DR	30/35/40W	90°	2700K-6000K	80/90	D230*H65	200

Spec

LED Chip:Samsung SMD
 System Lumen:90-110lm/W
 Driver:Tridonic/Lifud/LK etc.
 Dim Option:DALI/Triac/0-10V etc.
 IP:20/44/65

Beam Angle:



Trunk Light Grille Light Track Light Suspended Mounted SMD Downlight Module COB Downlight

Downlight Range

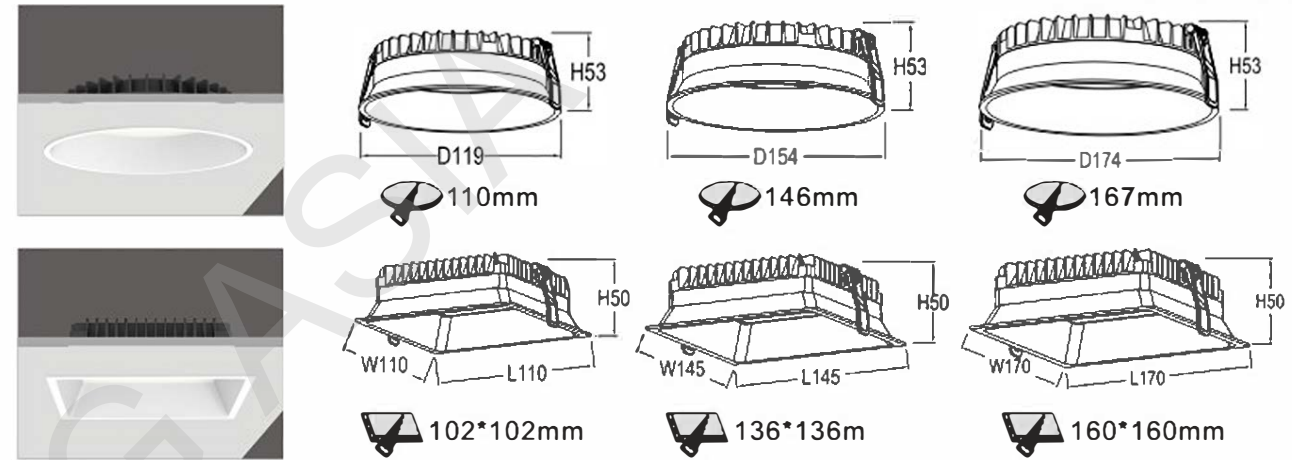
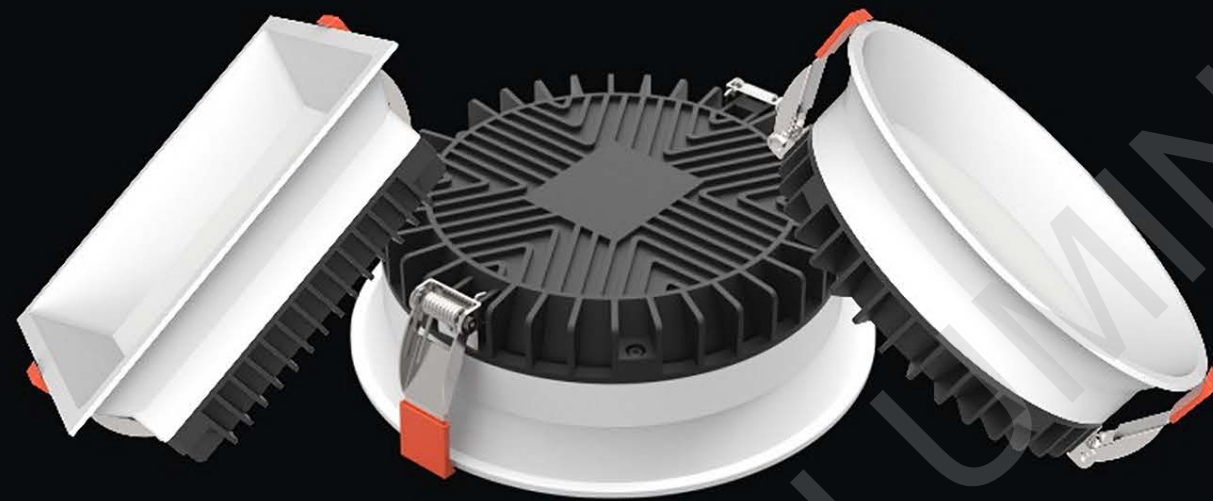


Color Finish: White+Ash Silver
 Input Power: 220-240V 50/60Hz
 Ceiling Thickness Request: 4mm-25mm
 UGR<22



Super Narrow Trim P3 Series

Super comfortable impression lighting



Order Table

Code	Watt	Beam Angle	CCT	CRI	Size	Cutout
HD04-P3-DR	7/10/15W	90°	2700K-6000K	80/90	D119*H53	110
HD05-P3-DR	15/20/25W	90°	2700K-6000K	80/90	D154*H53	146
HD06-P3-DR	20/25/30W	90°	2700K-6000K	80/90	D174*H53	167
HD04-P3-DS	7/10/15W	90°	2700K-6000K	80/90	L110*W110*H50	102*102
HD05-P3-DS	15/20/25W	90°	2700K-6000K	80/90	L145*W145*H50	136*136
HD06-P3-DS	20/25/30W	90°	2700K-6000K	80/90	L170*W170*H50	160*160

Spec

LED Chip: Samsung SMD
 System Lumen: 90-110lm/W
 Driver: Tridonic/Lifud etc.
 Dim Option: DALI/Triac/0-10V etc.
 IP: 20

Beam Angle:



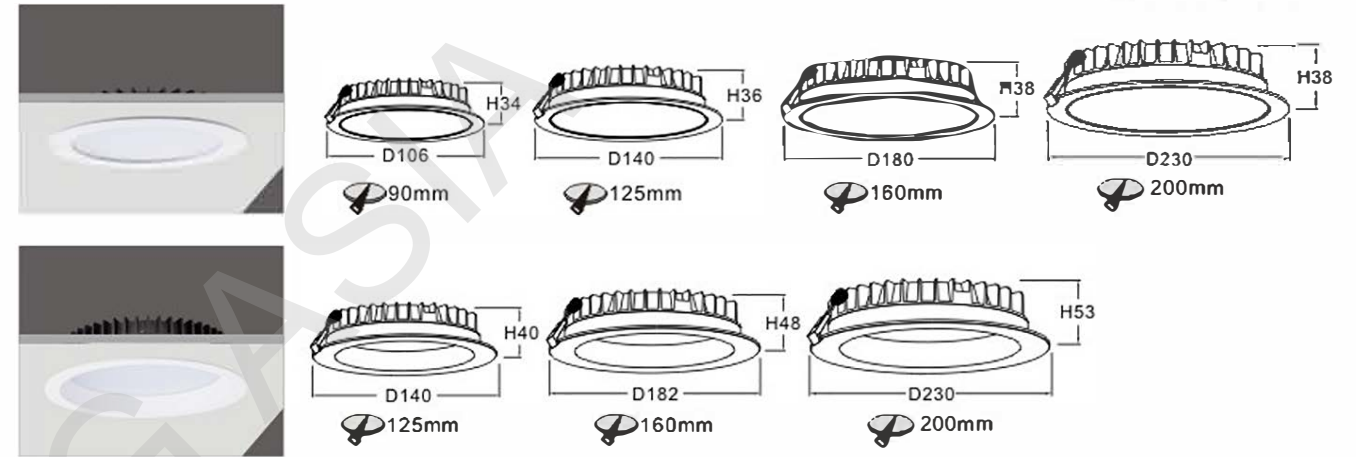


Pretty Flat P4 Series

Super thin lighting



Color Finish: White+Ash Silver
 Input Power: 220-240V 50/60Hz
 Ceiling Thickness Request: 4mm-25mm



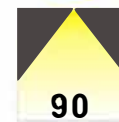
Order Table

Code	Watt	Beam Angle	CCT	CRI	Size	Cutout
HD03-P4-FR	7/10W	90°	2700K-6000K	80/90	D106*H34	90
HD04-P4-FR	10/15W	90°	2700K-6000K	80/90	D140*H36	125
HD06-P4-FR	15/20/25W	90°	2700K-6000K	80/90	D180*H38	160
HD08-P4-FR	20/25/30W	90°	2700K-6000K	80/90	D230*H38	200
HD04-P4-DR	10/15W	90°	2700K-6000K	80/90	D140*H40	125
HD06-P4-DR	15/20/25W	90°	2700K-6000K	80/90	D182*H48	160
HD08-P4-DR	20/25/30W	90°	2700K-6000K	80/90	D230*H53	200

Spec

LED Chip: Samsung SMD
 System Lumen: 100-115lm/W
 Driver: Tridonic/Lifud etc.
 Dim Option: DALI/Triac/0-10V etc.
 IP: 20

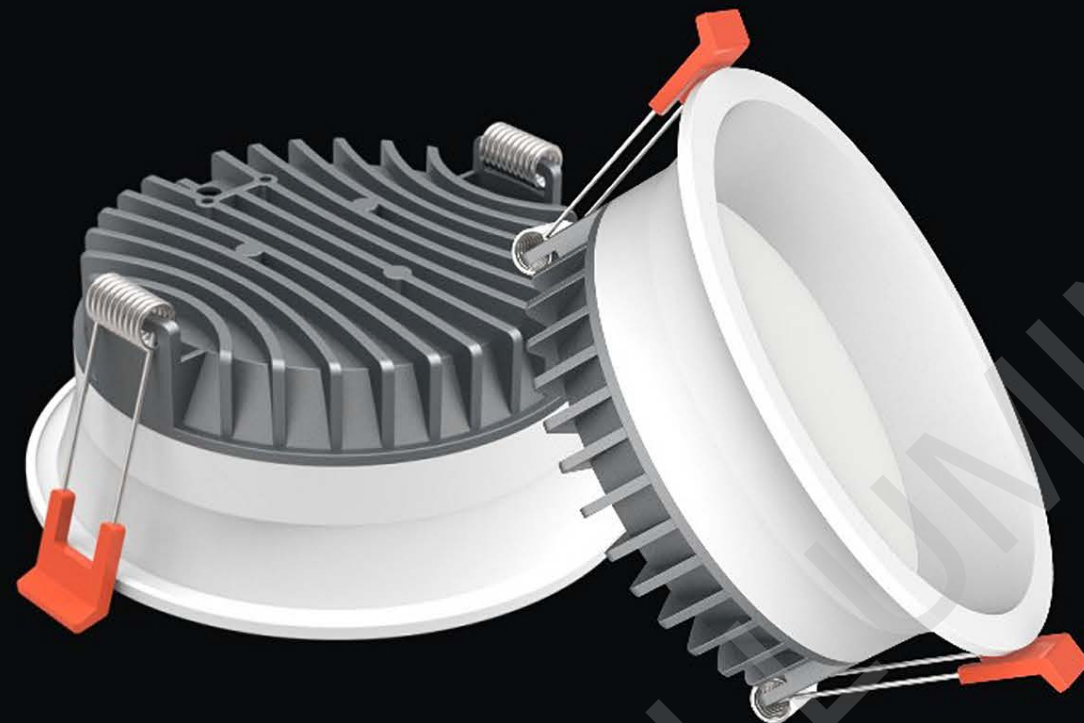
Beam Angle:



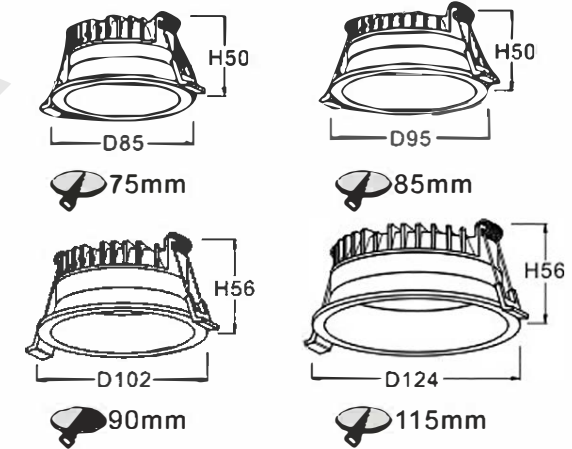
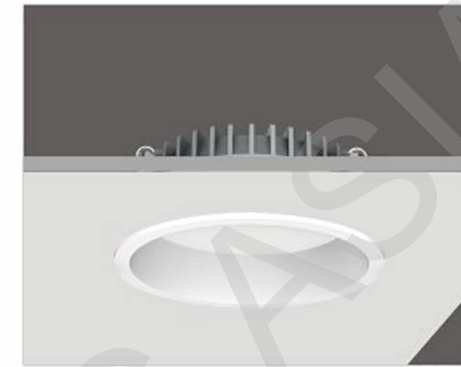


ECO P6 Series

Super competitive lighting



Color Finish:White+Ash Silver
 Input Power:220-240V 50/60Hz
 Ceiling Thickness Request:4mm-25mm
 UGR<22



Order Table

Code	Watt	Beam Angle	CCT	CRI	Size	Cutout
HD02-P6-DR	5W	90°	2700K-6000K	80/90	D85*H50	75
HD25-P6-DR	7W	90°	2700K-6000K	80/90	D95*H50	85
HD03-P6-DR	10W	90°	2700K-6000K	80/90	D102*H56	90
HD35-P6-DR	12W	90°	2700K-6000K	80/90	D124*H56	115

Spec

LED Chip:Samsung SMD
 System Lumen:80-90lm/W
 Driver:Done etc.
 Dim Option:DALI/Triac/0-10V etc.
 IP:20

Beam Angle:



Downlight Range

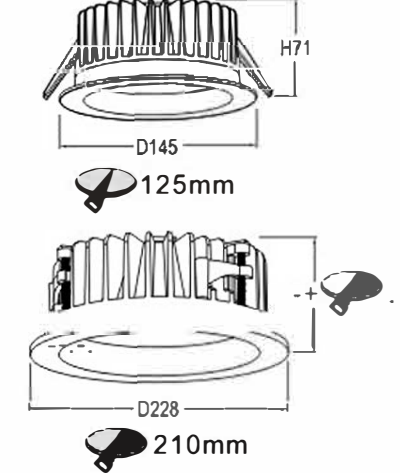
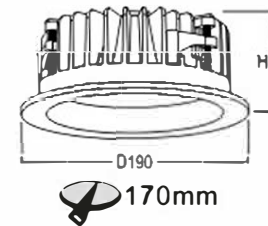
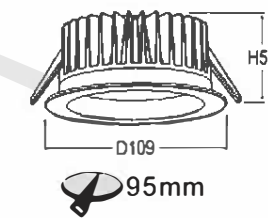
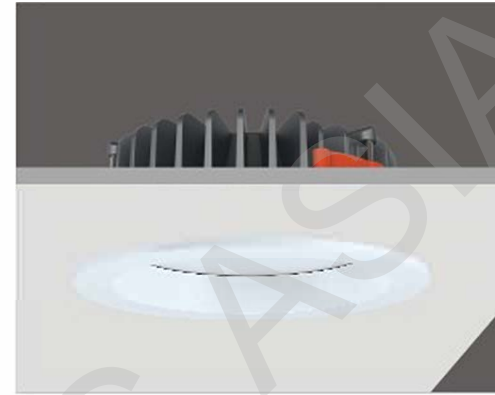


Vintage Downlight V1 Series
Eternal classic style always beside you

SMD / COB



Color Finish:White+Ash Silver
 Input Power:220-240V 50/60Hz
 Ceiling Thickness Request:4mm-25mm
 UGR<22



Order Table

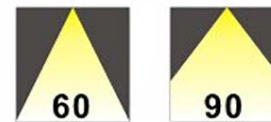
Code	Watt	Beam Angle	CCT	CRI	Size	Cutout
HD03-V1-D/R	7/10/15W	90° / 60°	2700K-6000K	80/90	D109*H52	95
HD04-V1-D/R	10/15/20W	90° / 60°	2700K-6000K	80/90	D145*H71	125
HD06-V1-D/R	20/25/30W	90° / 60°	2700K-6000K	80/90	D190*H86	170
HD08-V1-D/R	25/30/40W	90° / 60°	2700K-6000K	80/90	D228*H100	210

Remark: D=SMD.90° R=COB.60°

Spec

LED Chip:Samsung SMD
 Citizen/Philips COB
 System Lumen:85-105lm/W
 Driver:Tridonic/Lifud etc.
 Dim Option:DALI/Triac/0-10V etc.
 IP:20/44

Beam Angle:



Trunk Light Grille Light Track Light Suspended Mounted SMD Downlight Module COB Downlight

Downlight Range



Color Finish:White+Ash Silver
 Input Power:220-240V 50/60Hz
 Ceiling Thickness Request:4mm-25mm
 UGR<21



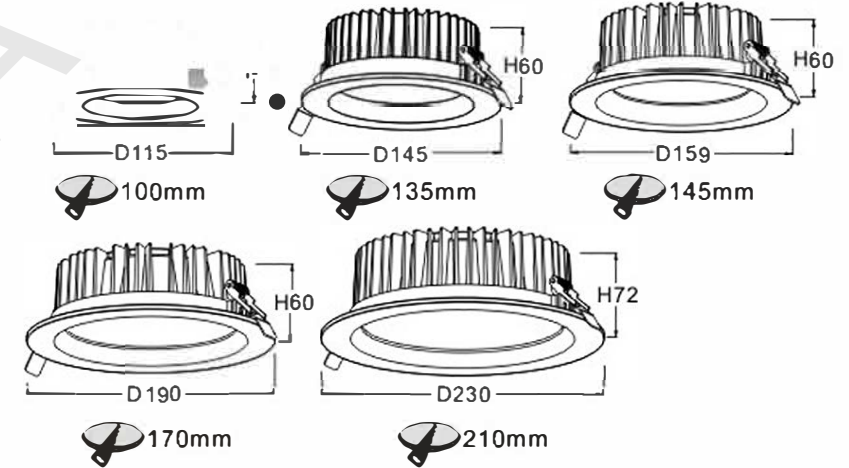
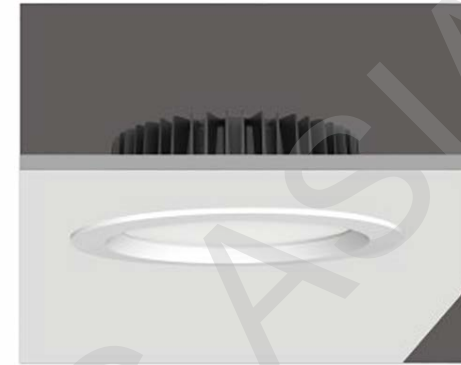
ECO Vintage Downlight V2 Series

Eternal classic style always beside you

SMD / COB



IP20
IP44
IP65



Order Table

Code	Watt	Beam Angle	CCT	CRI	Size	Cutout
HD03-V2-D	5/7/10W	90°	2700K-6000K	80/90	D115*H48	100
HD04-V2-D	7/10/15W	90°	2700K-6000K	80/90	D145*H60	135
HD05-V2-D	10/15/20W	90°	2700K-6000K	80/90	D159*H60	145
HD06-V2-D	20/25/30W	90°	2700K-6000K	80/90	D190*H60	175
HD08-V2-D	25/30/40W	90°	2700K-6000K	80/90	D230*H72	210
HD03-V2-R	5/7/10W	60/90°	2700K-6000K	80/90	D115*H48	100
HD04-V2-R	7/10/15W	60/90°	2700K-6000K	80/90	D145*H60	135
HD05-V2-R	10/15/20W	60/90°	2700K-6000K	80/90	D159*H60	145
HD06-V2-R	20/25/30W	60/90°	2700K-6000K	80/90	D190*H60	175
HD08-V2-R	25/30/40W	60/90°	2700K-6000K	80/90	D230*H72	210

Spec

Remark:D=SMD,90° R=COB,60/90°

LED Chip:Samsung SMD
 Sanan COB
 System Lumen:85-105lm/W
 Driver:Tridonic/Lifud/LK etc.
 Dim Option:DALI/Triac/0-10V etc.
 IP:20/44/65

Beam Angle:



Trunk Light Grille Light Track Light Suspended Mounted SMD Downlight Module COB Downlight

Mounted Downlight Range



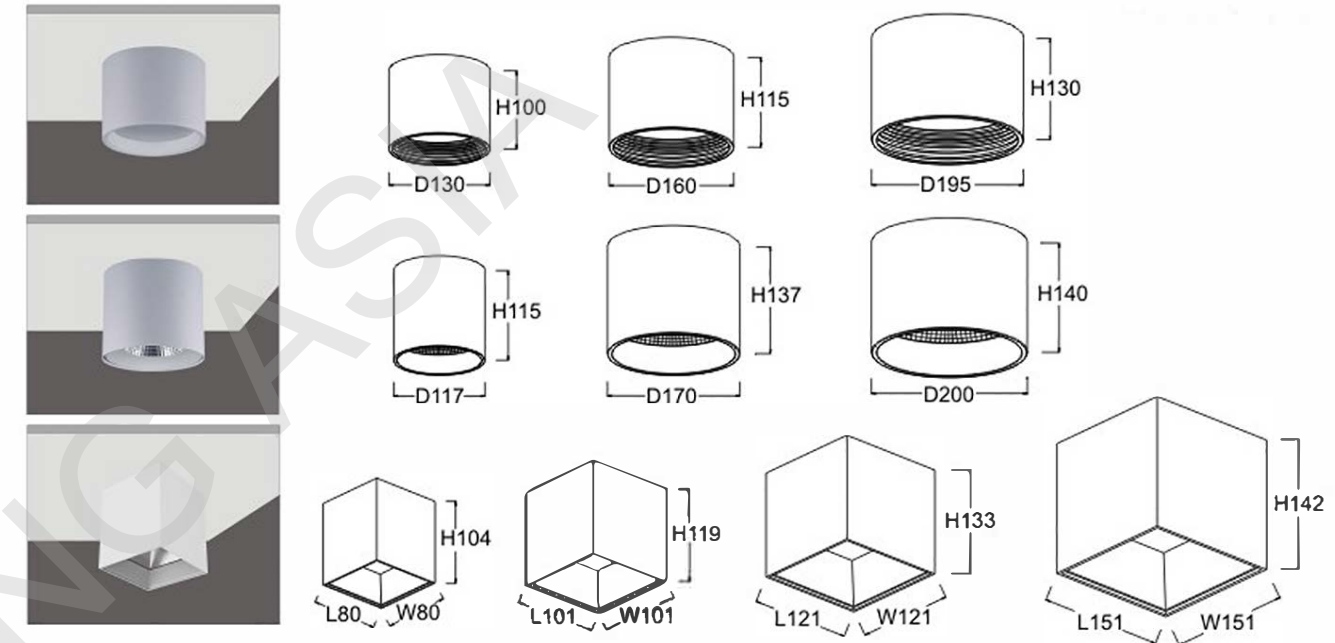
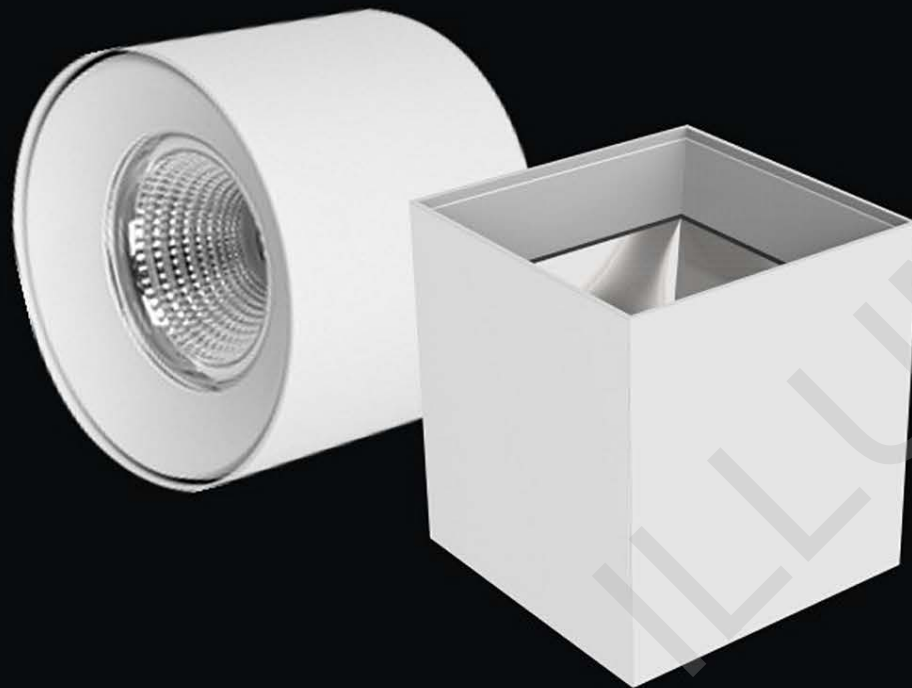
Color Finish: White/Black
 Input Power: 220-240V 50/60Hz
 UGR<19



Mounted M1 M2 Series

Nature and decent showing a beauty of simple

SMD / COB



Order Table

T pr	el	Srl	O r	CCT	CRI	
HM04-M1-D	10/15W		90°	2700K-6000K	80/90	D130*H100
HM06-M1-D	15/20W		90°	2700K-6000K	80/90	D160*H115
HM08-M1-D	25/30W		90°	2700K-6000K	80/90	D195*H130
HM04-M1-R	10/15W		60°	2700K-5000K	80/90	D117*H115
HM06-M1-R	15/20W		60°	2700K-5000K	80/90	D170*H137
HM08-M1-R	20/25W		60°	2700K-5000K	80/90	D200*H140
HM04-M2-R	7/10W		38°	2700K-5000K	80/90	L80*W80*H104
HM05-M2-R	10/15W		38°	2700K-5000K	80/90	L101*W101*H119
HM06-M2-R	15/20W		38°	2700K-5000K	80/90	L121*W121*H133
HM08-M2-R	20/30W		38°	2700K-5000K	80/90	L151*W151*H142

Spec.

Chip: Samsung SMD
 Citizen/Philips COB
 System Lumen: 90-110lm/W
 Driver: Tridonic/Lifud/Secoco etc.
 Dim Option: DALI/Triac/0-10V etc.
 IP: 20

:9C0 .I:B:-0



Trunk Light Grille Light Track Light Suspended Mounted SMD Downlight Module COB Downlight



Color Finish:White/Black
 Input Power:220-240V 50/60Hz
 UGR<19



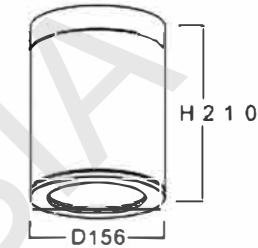
Mounted M3 Series

Waterproof for moist area lighting

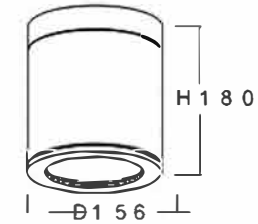
IP65
 IP44



IP65



IP44



Order Table

Code	Watt	Beam Angle	CCT	CRI	IP	Size
HM08-M3-R	30/40W	24/38°	2700K-5000K	80/90	IP65	D156*H210
HM08-M3-R	30/40W	24/38°	2700K-5000K	80/90	IP44	D156*H180

Spec.

LED Chip: Citizen COB
 System Lumen: 85-105lm/W
 Driver: Tridonic/Lifud etc.
 Dim Option: DALI/Triac/0-10V etc.
 IP: 44/65

Beam Angle:



Mounted Downlight Range



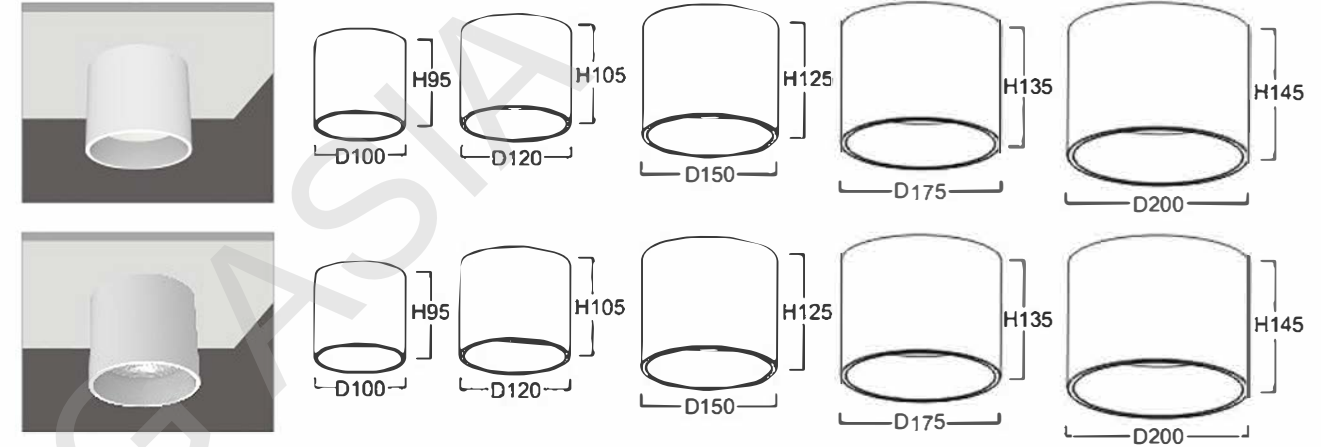
Mounted M4 Series

Super deep anti-glare, more easeful

SMD / COB



Color Finish: White/Black
 Input Power: 220-240V 50/60Hz
 UGR<19



Order Table

Code	Watt	Beam Angle	CCT	CRI	Size
HM03-M4-D	5/7W	90°	2700K-6000K	80/90	D100*H95
HM04-M4-D	7/10W	90°	2700K-6000K	80/90	D120*H105
HM05-M4-D	10/15W	90°	2700K-6000K	80/90	D150*H125
HM06-M4-D	15/20W	90°	2700K-6000K	80/90	D175*H135
HM08-M4-D	20/25W	90°	2700K-6000K	80/90	D200*H145
HM03-M4-R	5W	24°	2700K-5000K	80/90	D100*H95
HM04-M4-R	7W	24°	2700K-5000K	80/90	D120*H105
HM05-M4-R	10W	24°	2700K-5000K	80/90	D150*H125
HM06-M4-R	15W	24°	2700K-5000K	80/90	D175*H135
HM08-M4-R	20W	24°	2700K-5000K	80/90	D200*H145

Spec.

LED Chip: Samsung SMD
 Citizen/Philips COB
 System Lumen: 85-95lm/W
 Driver: Tridonic/Lifud etc.
 Dim Option: DALI/Triac/0-10V etc.
 IP: 20

Beam Angle:



Mounted Downlight Range

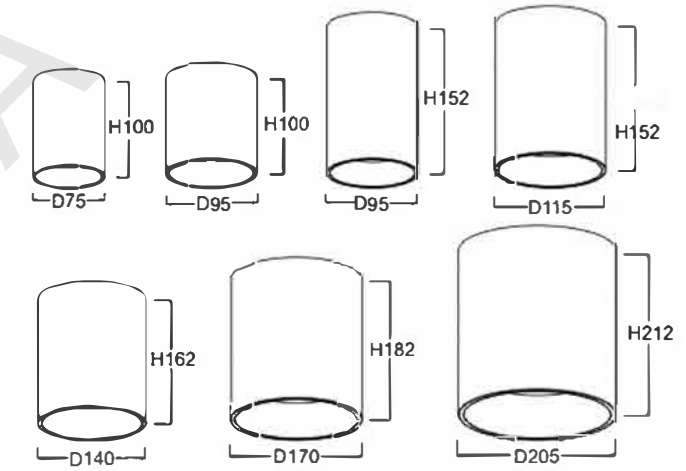


Color Finish: White/Black
 Input Power: 220-240V 50/60Hz
 UGR<19 Cut Off<35°



Mounted M6 Series

IP 65 rating, meet all kinds of projects



Order Table

Code	Watt	Beam Angle	CCT	CRI	Size
HM02-M6-L	7/10W	20/40°	2700K-5000K	80/90	D75*H100
HM03-M6-L	10/15W	20/40°	2700K-5000K	80/90	D95*H100
HM35-M6-L	15/20W	20/40°	2700K-5000K	80/90	D95*H152
HM04-M6-L	20/25W	20/40°	2700K-5000K	80/90	D115*H152
HM05-M6-L	25/30W	20/40°	2700K-5000K	80/90	D140*H162
HM06-M6-L	40/50W	20/40°	2700K-5000K	80/90	D170*H182
HM08-M6-L	50/60W	20/40°	2700K-5000K	80/90	D205*H212

Spec.

LED Chip: Citizen/Philips COB
 System Lumen: 85-95lm/W
 Driver: Secoco/LK etc.
 Dim Option: DALI/Triac/0-10V etc.
 IP: 20/44/65

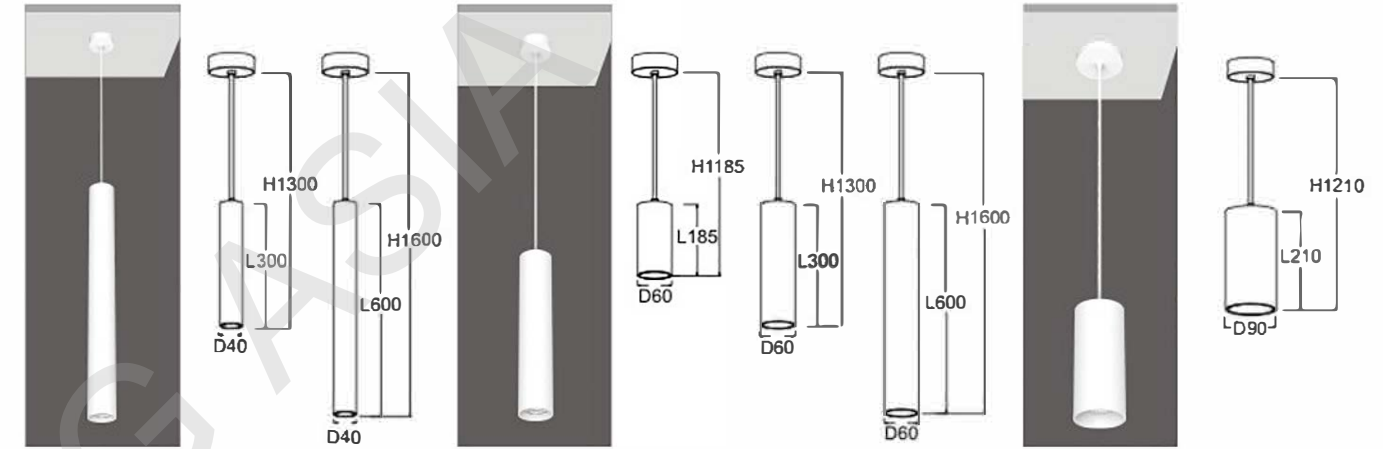
Beam Angle:



Suspended S1 Series

Slender lighting meeting decorative beauty

Color Finish:White/Black
 Input Power:220-240V 50/60Hz
 UGR<19



Order Table

Code	Watt	Beam Angle	CCT	CRI	Size
HP40-S1-RM	7/10W	10/24/38°	2700K-5000K	80/90	D40*L300*H1300
HP40-S1-RL	7/10W	10/24/38°	2700K-5000K	80/90	D40*L600*H1300
HP60-S1-RS	15/20W	10/15/24/38/60°	2700K-5000K	80/90	D60*L185*H1185
HP60-S1-RM	15/20W	10/15/24/38/60°	2700K-5000K	80/90	D60*L300*H1300
HP60-S1-RL	15/20W	10/15/24/38/60°	2700K-5000K	80/90	D60*L600*H1600
HP90-S1-RS	20/30W	10/15/24/38/60°	2700K-5000K	80/90	D90*L210*H1210

Spec.

LED Chip: Citizen/Philips COB
 System Lumen: 85-100lm/W
 Driver: Tridonic/Lifud/Secoco etc.
 Dim Option: DALI/Triac/0-10V etc.
 IP: 20

Beam Angle:



Trunk Light Grille Light Track Light Suspended Mounted SMD Downlight Module COB Downlight

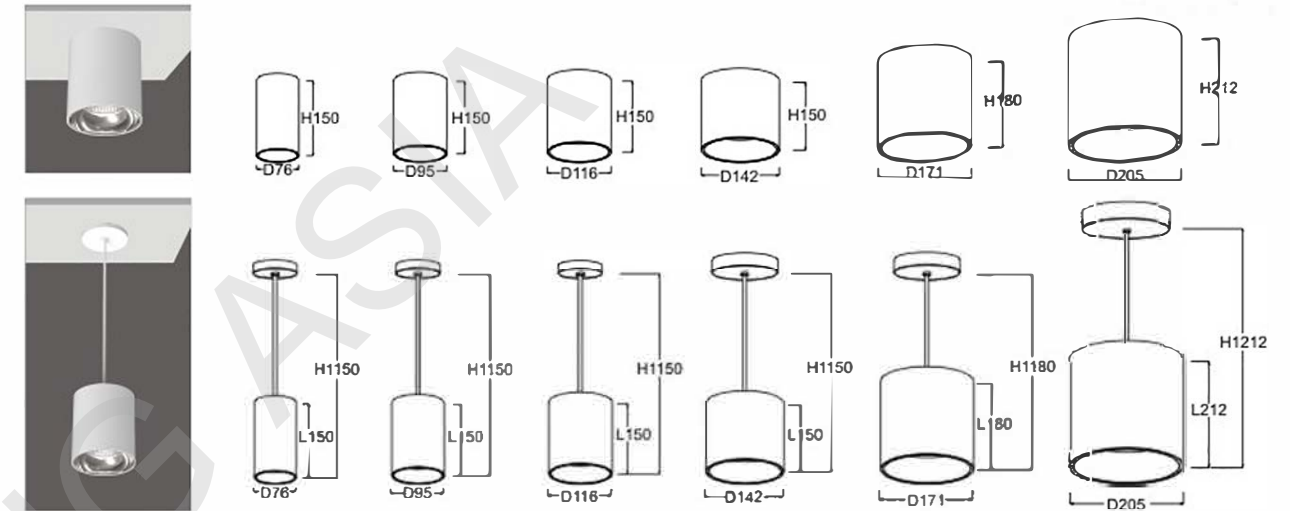
Suspended Range

R spanSaS S2 Series

Amazing focus for top lighting



Color Finish: White/Black
 Input Power: 220-240V 50/60Hz
 UGR<16



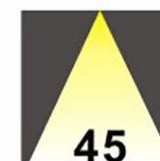
Order Table

Code	Watt	Beam Angle	CCT	CRI	Size
HP76-S2-RM/RS	10/15W	45°	2700K-5000K	80/90	D76*L150*H1300
HP95-S2-RM/RS	15/20W	45°	2700K-5000K	80/90	D95*L150*H1300
HP11-S2-RM/RS	20/25W	45°	2700K-5000K	80/90	D116*L150*H1185
HP14-S2-RM/RS	30/40W	45°	2700K-5000K	80/90	D142*L150*H1300
HP17-S2-RM/RS	40/50W	45°	2700K-5000K	80/90	D171*L180*H1600
HP20-S2-RM/RS	60/80W	45°	2700K-5000K	80/90	D205*L212*H1210

Spec.

LED Chip: Citizen/Philips COB
 System Lumen: 90-105lm/W
 Driver: Tridonic/Lifud etc.
 Dim Option: DALI/Triac/0-10V etc.
 IP: 20

Beam Angle:



Zoomable Specialist Z1 Series

Graceful appearance with full mounted style

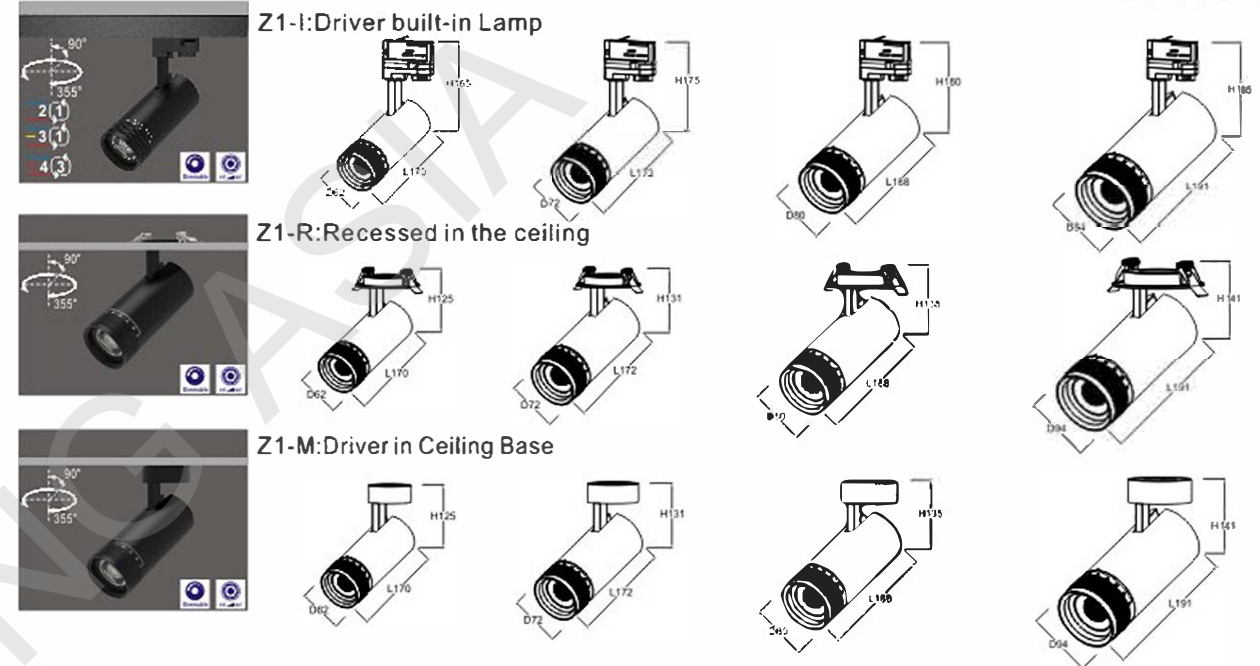


15°-60° Zoomable Track Light
Unique Design



Dim Option:
DALI/ 1-10V/ Triac etc

Color Finish:White/Black
Input Power:220-240V 50/60Hz
UGR<19



Order Table

Code	Watt	Beam Angle	CCT	CRI	Size	Cutout
HT62-Z1-I	7/10/15W	15-60°	2700K-5000K	80/90/97	D62*L170*H165	
HT62-Z1-R	7/10/15W	15-60°	2700K-5000K	80/90/97	D62*L170*H125	75
HT62-Z1-M	7/10/15W	15-60°	2700K-5000K	80/90/97	D62*L170*H125	
HT72-Z1-I	10/15/20W	15-60°	2700K-5000K	80/90/97	D72*L172*H175	
HT72-Z1-R	10/15/20W	15-60°	2700K-5000K	80/90/97	D72*L172*H131	75
HT72-Z1-M	10/15/20W	15-60°	2700K-5000K	80/90/97	D72*L172*H131	
HT80-Z1-I	20/25/30W	15-60°	2700K-5000K	80/90/97	D80*L188*H180	
HT80-Z1-R	20/25/30W	15-60°	2700K-5000K	80/90/97	D80*L188*H135	100
HT80-Z1-M	20/25/30W	15-60°	2700K-5000K	80/90/97	D80*L188*H135	
HT94-Z1-I	30/35/40W	15-60°	2700K-5000K	80/90/97	D94*L191*H185	
HT94-Z1-R	30/35/40W	15-60°	2700K-5000K	80/90/97	D94*L191*H141	120
HT94-Z1-M	30/35/40W	15-60°	2700K-5000K	80/90/97	D94*L191*H141	

Spec.

LED Chip: Citizen/Philips COB
System Lumen: 90-100lm/W
Driver: Tridonic/Lifud/Secoco/TCL etc.
Dim Option: DALI/ 1-10V/ Triac etc.
IP:20

Beam Angle:



Zoomable Specialist Z2 Series

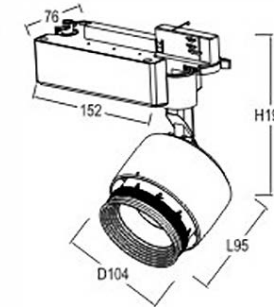
Born to search for art lighting



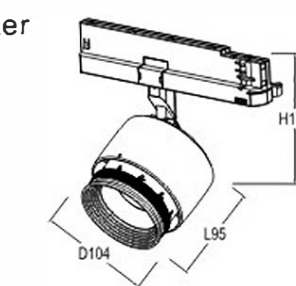
Color Finish:White/Black
 Input Power:220-240V 50/60Hz
 UGR<19



Z2-B:Driver in Box



Z2-D:Driver in Adapter



Order Table

Code	Watt	Beam Angle	CCT	CRI	Size
HT10-Z2-B	20/30W	15-60°	2700K-5000K	80/90/97	D104*L95*H195
HT10-Z2-D	20/30W	15-60°	2700K-5000K	80/90/97	D104*L95*H174

Spec.

LED Chip:Citizen COB
 System Lumen:80-100lm/W
 Driver:Philips/Lifud/TCL etc.
 Dim Option:DALI/ 1-10V/ Triac etc.
 IP:20

Beam Angle:



Classic Popular C1 Series

You will always get a good quality feeling



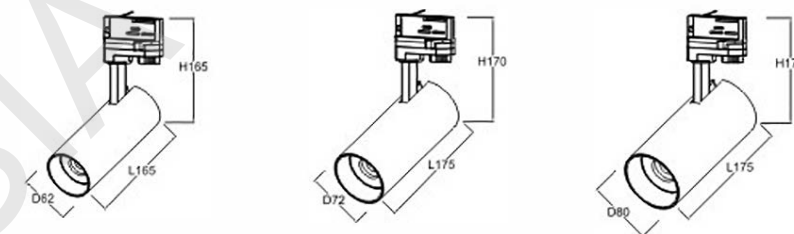
Lens

Reflector

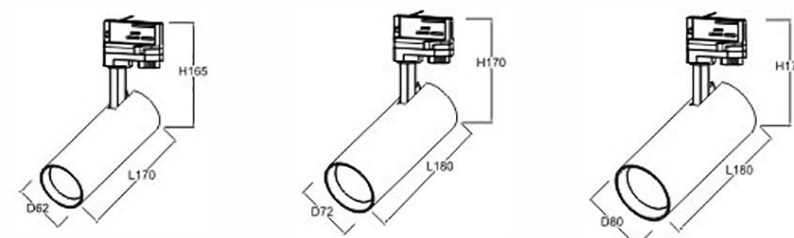
Color Finish:White/Black
 Input Power:220-240V 50/60Hz
 UGR<19



C1-IL:Driver built-in Lamp



C1-IR:Driver built-in Lamp



Order Table

Code	Watt	Beam Angle	CCT	CRI	Size
HT62-C1-IL	7/10/15W	15/24/36/60°	2700K-5000K	80/90/97	D62*L165*H165
HT72-C1-IL	10/15/20W	15/24/36/60°	2700K-5000K	80/90/97	D72*L175*H170
HT80-C1-IL	20/25/30W	15/24/36/60°	2700K-5000K	80/90/97	D80*L175*H175
HT62-C1-IR	7/10/15W	15/24/36/60°	2700K-5000K	80/90/97	D62*L170*H165
HT72-C1-IR	10/15/20W	15/24/36/60°	2700K-5000K	80/90/97	D72*L180*H170
HT80-C1-IR	20/25/30W	15/24/36/60°	2700K-5000K	80/90/97	D80*L180*H175

Spec.

LED Chip:Citizen/Philips COB
 System Lumen:90-100lm/W
 Driver:Tridonic/Lifud/Secoco/TCL etc.
 Dim Option:DALI/ 1-10V/ Triac etc.
 IP:20

Beam Angle:

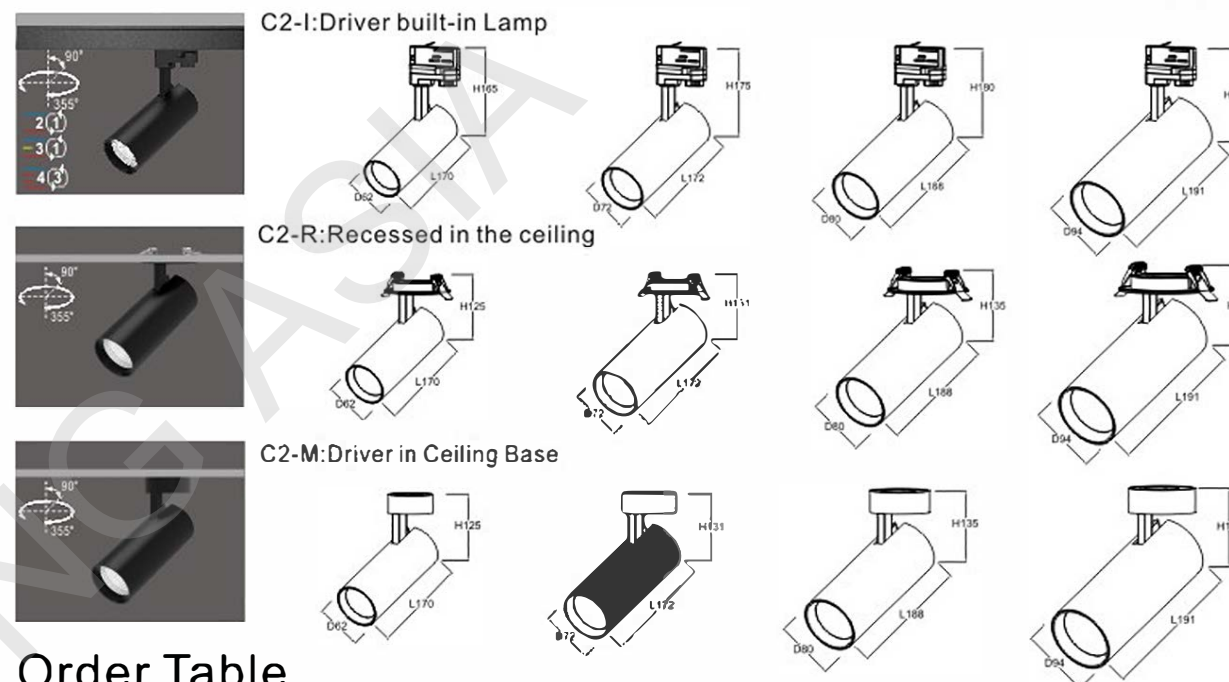


Simple smooth C2 Series

Create a warm & sweet lighting



Color Finish: White/Black
 Input Power: 220-240V 50/60Hz
 UGR < 16



Order Table

Code	Watt	Beam Angle	CCT	CRI	Size	Cutout
HT62-C2-I	7/10/15W	15/24/36/60°	2700K-5000K	80/90/97	D62*L170*H165	
HT62-C2-R	7/10/15W	15/24/36/60°	2700K-5000K	80/90/97	D62*L170*H125	75
HT62-C2-M	7/10/15W	15/24/36/60°	2700K-5000K	80/90/97	D62*L170*H125	
HT72-C2-I	10/15/20W	15/24/36/60°	2700K-5000K	80/90/97	D72*L172*H175	
HT72-C2-R	10/15/20W	15/24/36/60°	2700K-5000K	80/90/97	D72*L172*H131	75
HT72-C2-M	10/15/20W	15/24/36/60°	2700K-5000K	80/90/97	D72*L172*H131	
HT80-C2-I	20/25/30W	15/24/36/60°	2700K-5000K	80/90/97	D80*L188*H180	
HT80-C2-R	20/25/30W	15/24/36/60°	2700K-5000K	80/90/97	D80*L188*H135	100
HT80-C2-M	20/25/30W	15/24/36/60°	2700K-5000K	80/90/97	D80*L188*H135	
HT94-C2-I	30/35/40W	15/24/36/60°	2700K-5000K	80/90/97	D94*L191*H185	
HT94-C2-R	30/35/40W	15/24/36/60°	2700K-5000K	80/90/97	D94*L191*H141	120
HT94-C2-M	30/35/40W	15/24/36/60°	2700K-5000K	80/90/97	D94*L191*H141	

Spec.

LED Chip: Citizen/Philips COB
 System Lumen: 90-100lm/W
 Driver: Tridonic/Lifud etc.
 Dim Option: DALI/ 1-10V/ Triac etc.
 IP: 20

Beam Angle:

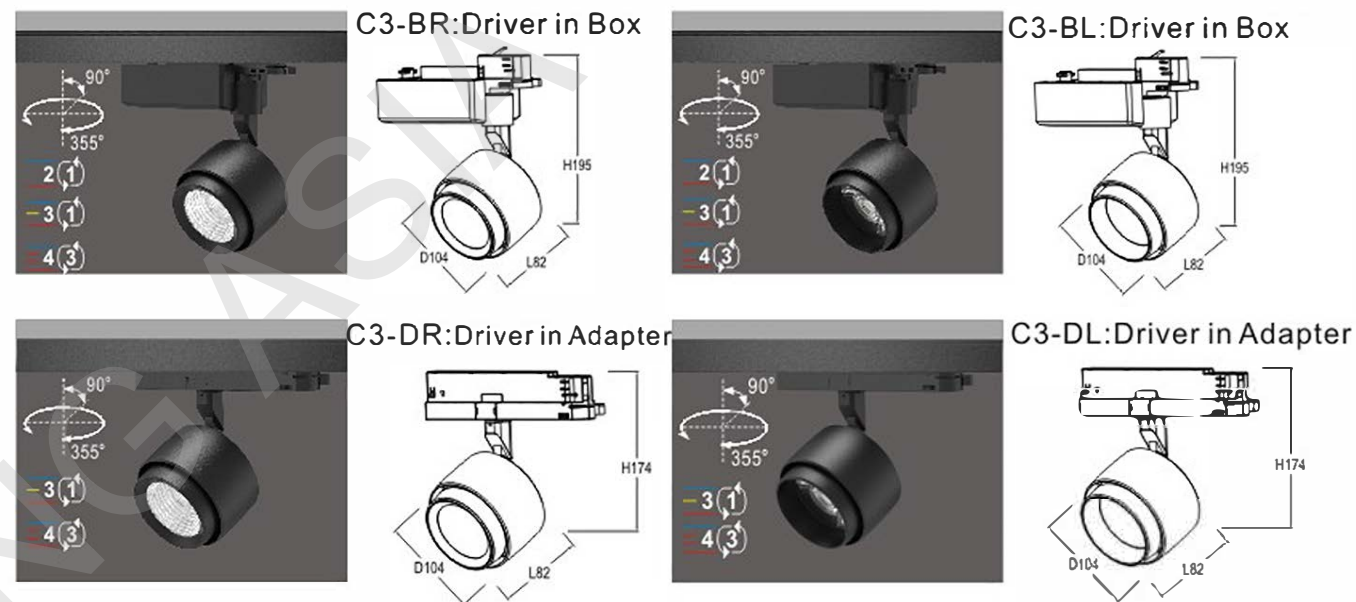


Short Tube C3 Series

Eager for wonderful light finish



Color Finish:White/Black
 Input Power:220-240V 50/60Hz
 UGR<19



Order Table

Code	Watt	Beam Angle	CCT	CRI	Size
HT10-C3-BR	20/30W	15/24/36°	2700K-5000K	80/90/97	D104*L82*H195
HT10-C3-BL	20/30W	15/24/36/60°	2700K-5000K	80/90/97	D104*L80*H195
HT10-C3-DR	20/30W	15/24/36°	2700K-5000K	80/90/97	D104*L82*H174
HT10-C3-DL	20/30W	15/24/36/60°	2700K-5000K	80/90/97	D104*L80*H174

Spec.

Remark:L=Lens R=Reflector

LED Chip:Citizen/Philips COB
 System Lumen:90-100lm/W
 Driver:Tridonic/Lifud/TCl etc.
 Dim Option:DALI/ 1-10V/ Triac etc.
 IP:20

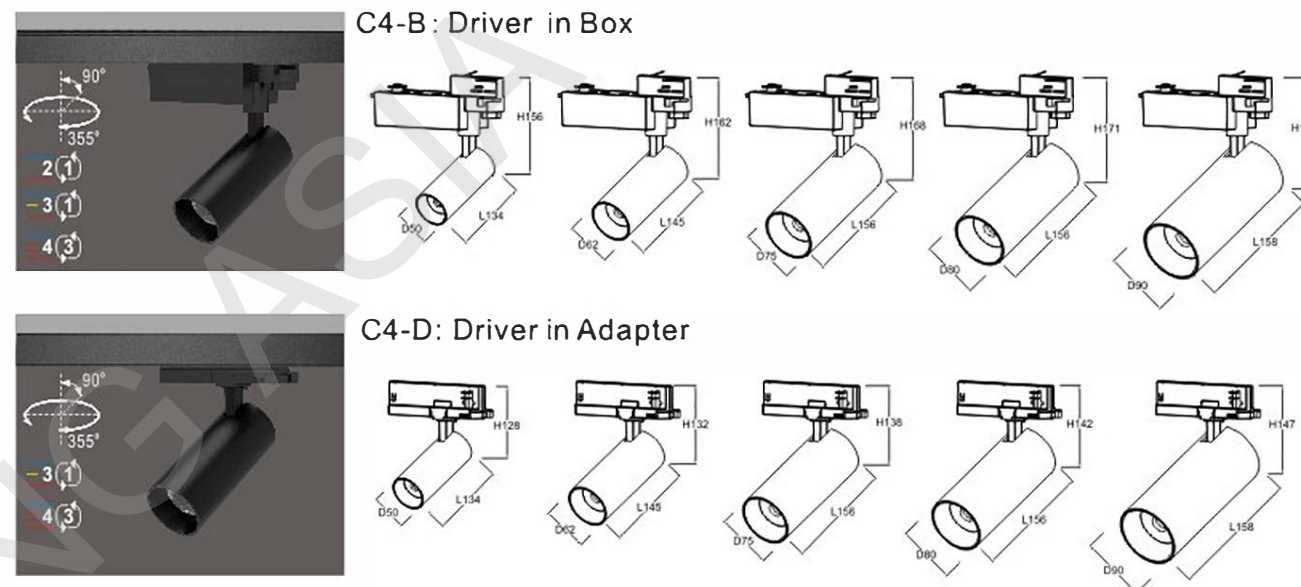
Beam Angle:



High Power C4 Series

To cover more wattage project in the market

Color Finish:White/Black
 Input Power:220-240V 50/60Hz
 UGR<19



Order Table

Code	Watt	Beam Angle	CCT	CRI	Size
HT50-C4-B	7/10/15W	15/24/36/60°	2700K-5000K	80/90/97	D50*L134*H156
HT50-C4-D	10/15W	15/24/36/60°	2700K-5000K	80/90/97	D50*L134*H128
HT62-C4-B	10/15/20W	15/24/36/60°	2700K-5000K	80/90/97	D62*L145*H162
HT62-C4-D	10/15/20W	15/24/36/60°	2700K-5000K	80/90/97	D62*L145*H132
HT75-C4-B	15/20/25W	15/24/36/60°	2700K-5000K	80/90/97	D75*L156*H168
HT75-C4-D	15/20/25W	15/24/36/60°	2700K-5000K	80/90/97	D75*L156*H138
HT80-C4-B	25/30/35W	15/24/36/60°	2700K-5000K	80/90/97	D80*L156*H171
HT80-C4-D	25/30/35W	15/24/36/60°	2700K-5000K	80/90/97	D80*L156*H142
HT90-C4-B	35/40/45W	15/24/36°	2700K-5000K	80/90/97	D90*L158*H176
HT90-C4-D	35/40/45W	15/24/36°	2700K-5000K	80/90/97	D90*L158*H147

Spec.

LED Chip: Citizen COB
 System Lumen: 100-110lm/W
 Driver: Tridonic/Lifud etc.
 Dim Option: DALI/ 1-10V/ Triac etc.
 IP:20

Beam Angle:



Comfort Spot C6 Series

Perfect for brand shop lighting



White

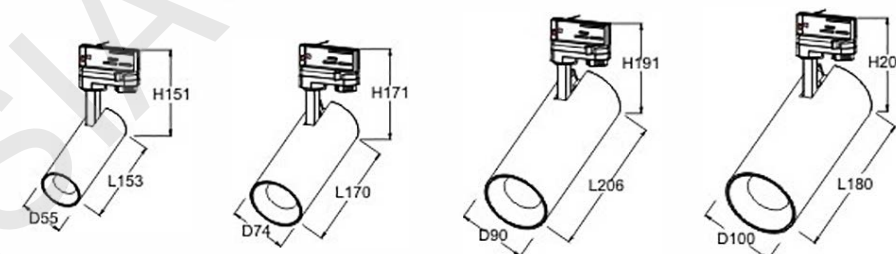
Black

Golden

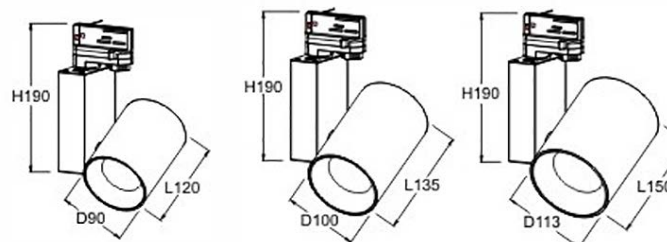
Color Finish: White/Black
 Input Power: 220-240V 50/60Hz
 UGR<16



C6-I: Driver Built-in Lamp



C6-S: Driver in Side Box



Order Table

Code	Watt	Beam Angle	CCT	CRI	Size
HT55-C6-I	7/10W	15/24/36/45/60	2700K-5000K	80/90/97	D55*L153*H151
HT74-C6-I	15/18W	15/24/36/45/60	2700K-5000K	80/90/97	D74*L170*H171
HT90-C6-I	25/30W	15/24/36/45/60	2700K-5000K	80/90/97	D90*L206*H191
HT10-C6-I	35/40W	15/24/36/45/60	2700K-5000K	80/90/97	D100*L180*H208
HT90-C6-S	20/30W	15/24/36/45/60	2700K-5000K	80/90/97	D90*L120*H190
HT10-C6-S	30/40W	15/24/36/45/60	2700K-5000K	80/90/97	D100*L135*H190
HT11-C6-S	40/50W	15/24/36/45/60	2700K-5000K	80/90/97	D113*L150*H190

Spec.

LED Chip: Citizen/Philips COB
 System Lumen: 90-100lm/W
 Driver: Tridonic/Lifud etc.
 Dim Option: DALI/ 1-10V/ Triac etc.
 IP: 20

Beam Angle:



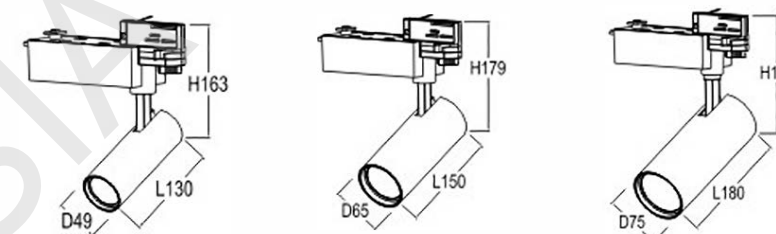
ECO Version C8 Series

Competitive solution to win more projects

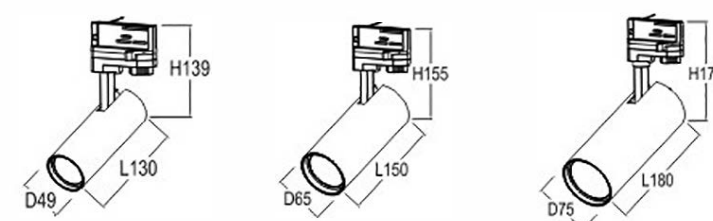
Color Finish:White/Black
 Input Power:220-240V 50/60Hz
 UGR<19



C8-B: Driver in Box



C8-I: Driver built-in lamp



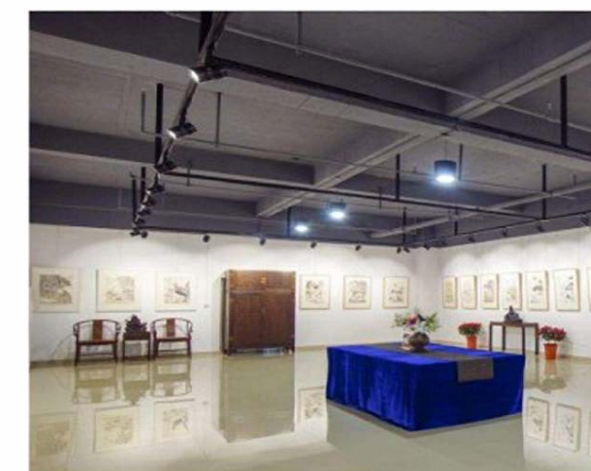
Order Table

Code	Watt	Beam Angle	CCT	CRI	Size
HT49-C8-B	7/10W	15/24/36°	2700K-5000K	80/90/97	D49*L130*H163
HT65-C8-B	10/15W	15/24/36°	2700K-5000K	80/90/97	D65*L150*H179
HT75-C8-B	20/25/30W	15/24/36°	2700K-5000K	80/90/97	D75*L180*H196
HT49-C8-I	7W	15/24/36°	2700K-5000K	80/90/97	D49*L130*H139
HT65-C8-I	7/10W	15/24/36°	2700K-5000K	80/90/97	D65*L150*H155
HT75-C8-I	15/20/25W	15/24/36°	2700K-5000K	80/90/97	D75*L180*H172

Spec.

LED Chip:Sanan COB
 Sytem Lumen:90-100lm/W
 Driver:Done/Tridonic/Kegu etc.
 Dim Option:DALI/ 1-10V/ Triac etc.
 IP:20

Beam Angle:

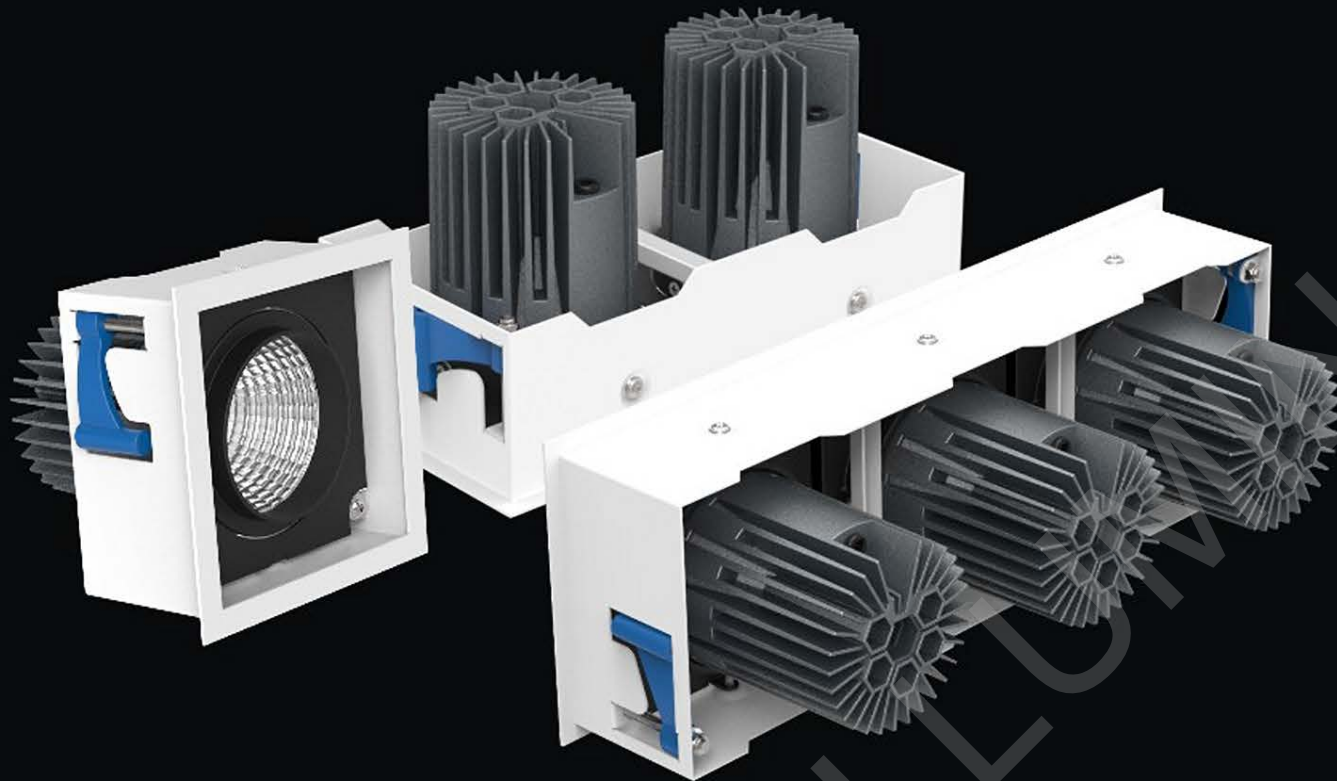


Grille light Range

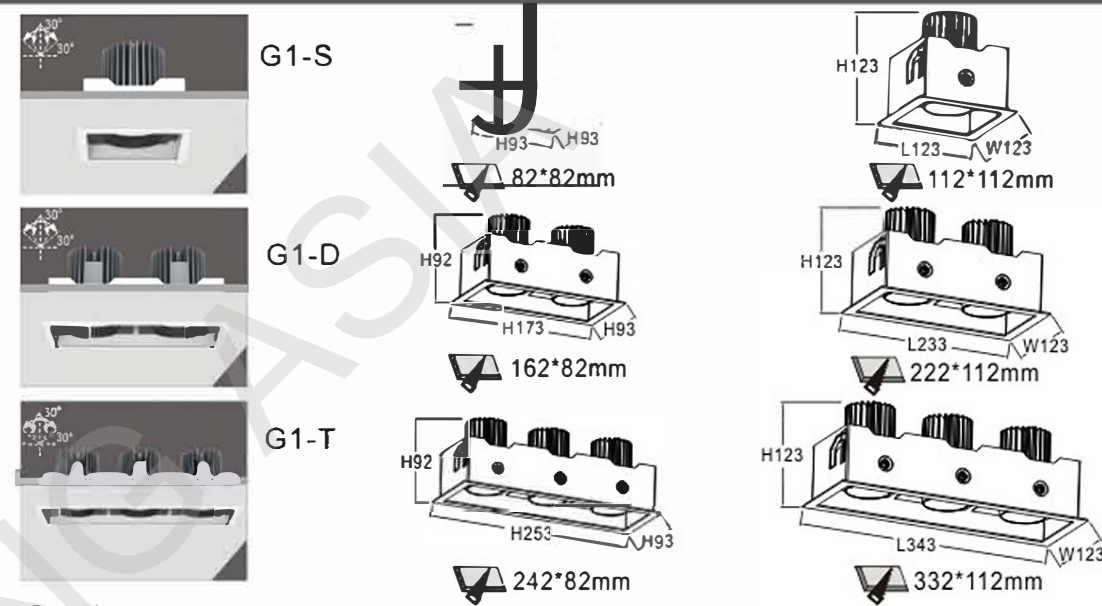


Grille Half G1 Series

Difference always comes from weeny details



Color Finish:White+Ash Silver
 Input Power:220-240V 50/60Hz
 Ceiling Thickness Request:4mm-25mm
 UGR<16



Order Table

Code	Watt	Beam Angle	CCT	CRI	Size	Cutout
HG03-G1-S	7/10W	15/24/36/60°	2700K-5000K	80/90/97	L93*W93*H92	82*82
HG03-G1-D	14/20W	15/24/36/60°	2700K-5000K	80/90/97	L173*W93*H92	162*82
HG03-G1-T	21/30W	15/24/36/60°	2700K-5000K	80/90/97	L253*W93*H92	242*82
HG04-G1-S	15/20/25/30W	15/24/36/60°	2700K-5000K	80/90/97	L123*W123*H123	112*112
HG04-G1-D	30/40/50/60W	15/24/36/60°	2700K-5000K	80/90/97	L233*W123*H123	222*112
HG04-G1-T	45/60/75/90W	15/24/36/60°	2700K-5000K	80/90/97	L343*W123*H123	332*112

Spec.

LED Chip: Citizen/Philips COB
 System Lumen: 85-100lm/W
 Driver: Tridonic/Lifud etc.
 Dim Option: DALI/Triac/0-10V etc.
 IP: 20/44

Beam Angle:



Trunk Light Grille Light Track Light Suspended Mounted SMD Downlight Module COB Downlight

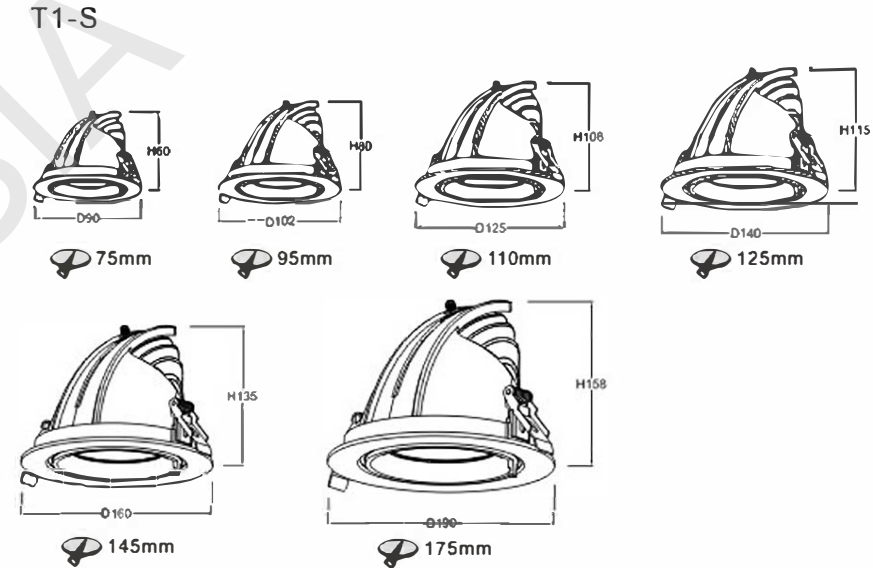


Trunk Light T1 Series

For large area wash lighting



Color Finish: White
 Input Power: 220-240V 50/60Hz
 Ceiling Thickness Request: 4mm-25mm
 UGR<19



Order Table

Code	Watt	Beam Angle	CCT	CRI	Size	Cutout
HE03-T1-S	7/10W	15/24/38/60°	2700K-5000K	80/90/97	D90*H60	75
HE35-T1-S	10/15W	15/24/38/60°	2700K-5000K	80/90/97	D102*H80	95
HE04-T1-S	15/20/25W	15/24/38/60°	2700K-5000K	80/90/97	D125*H108	110
HE05-T1-S	25/30/35W	15/24/38/60°	2700K-5000K	80/90/97	D140*H115	125
HE06-T1-S	35/40/45W	15/24/38/60°	2700K-5000K	80/90/97	D160*H135	145
HE08-T1-S	40/50/60W	15/24/38/60°	2700K-5000K	80/90/97	D190*H158	175

Spec.

LED Chip: Citizen/Philips COB
 System Lumen: 90-100lm/W
 Driver: Tridonic/Lifud etc.
 Dim Option: DALI/Triac/0-10V etc.
 IP: 20

Beam Angle:



LED Downlight

Ace Series



01-12

AG Series



13-14

Any Series



15-16



17-18

Arrow Series



19-20

Arc Series



21-22

Lulu Series



23-24



25-26

Lit Series



27-28

LED Track Light

Plus Series



29-32

Popu Series



33-34

Ceiling Mounted Light

Sim Series



35-36



37-38



39-40



41-42

Succi Series



43-44

LED Linear Light

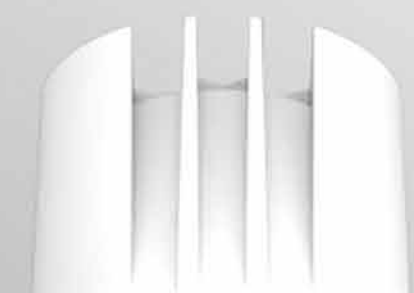
Rora Series



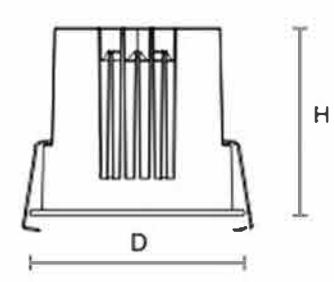
45-46

Ace Series





Ace Round Downlight



LED: Bridgelux COB
 Driver: Cupower/AGT/Lifud/Tridonic/BOKE
 Input: 200-240V 50/60Hz
 Flicker FREE
 CRI ≥ 80/90
 UGR < 16



Ace round series fixed downlight adopts Bridgelux COB and ADC12 aluminum heatsink. External driver is exchangeable through quick connector between non-dimmable driver and dimmable driver.



Round Series

Code	Watt	Size	Cutout	Beam Angle	Lumen(+5%)	Current	Q'ty/CTN
AAC02-07FR-C	7W	D64xH59	55	15/24/38	670lm@4000K	200mA	48PCS
AAC02-10FR-C	10W	D64xH59	55	15/24/38	950lm@4000K	250mA	48PCS
AAC25-10FR-C	10W	D86xH78	75	15/24/38	950lm@4000K	250mA	36PCS
AAC25-15FR-C	15W	D86xH78	75	15/24/38	1450lm@4000K	350mA	36PCS
AAC03-20FR-C	20W	D106xH92	95	15/24/38	1900lm@4000K	500mA	24PCS
AAC03-25FR-C	25W	D106xH92	95	15/24/38	2380lm@4000K	600mA	24PCS

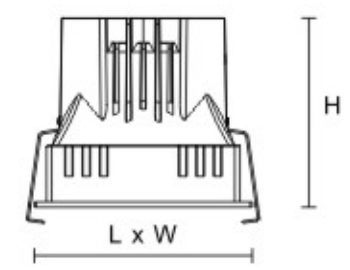




Square Series



Ace Square Downlight



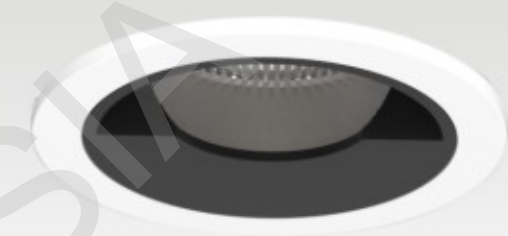
LED: Bridgelux COB
 Driver: Cupower/AGT/Lifud/Tridonic/BOKE
 Input: 200-240V 50/60Hz
 Flicker FREE
 CRI ≥ 80/90
 UGR < 16



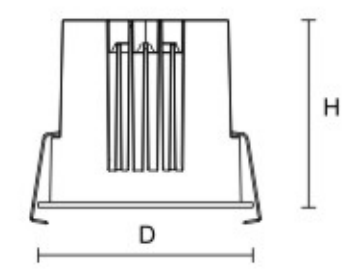
Ace square series fixed downlight adopts Bridgelux COB, and ADC12 aluminum heatsink. External driver is exchangeable through quick connector between non-dimmable driver and dimmable driver.

Code	Watt	Size	Cutout	Beam Angle	Lumen(±5%)	Current	Q'ty/CTN
AAC02-07FS-C	7W	L64xW64xH59	55x55	15/24/38	670lm@4000K	200mA	48PCS
AAC02-10FS-C	10W	L64xW64xH59	55x55	15/24/38	950lm@4000K	250mA	48PCS
AAC25-10FS-C	10W	L86xW86xH78	75x75	15/24/38	950lm@4000K	250mA	36PCS
AAC25-15FS-C	15W	L86xW86xH78	75x75	15/24/38	1450lm@4000K	350mA	36PCS
AAC03-20FS-C	20W	L106xW106xH92	95x95	15/24/38	1900lm@4000K	500mA	24PCS
AAC03-25FS-C	25W	L106xW106xH92	95x95	15/24/38	2380lm@4000K	600mA	24PCS





Ace Round Polarized Downlight



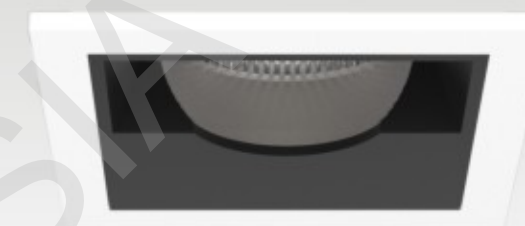
Ace polarized series fixed downlight adopts Bridgelux COB, and ADC12 aluminum heatsink. External driver is exchangeable through quick connector between non-dimmable driver and dimmable driver. It could be used for washing wall, LOGO, artwork, etc.

LED: Bridgelux COB
 Driver: Cupower/AGT/Lifud/Tridonic/BOKE
 Input: 200-240V 50/60Hz
 Flicker FREE
 CRI ≥ 80/90
 UGR < 16



Code	Watt	Size	Cutout	Beam Angle	Lumen(+5%)	Current	Q'ty/CTN
AAC02-07FR-P	7W	D64xH59	55	/	670lm@4000K	200mA	48PCS
AAC02-10FR-P	10W	D64xH59	55	/	950lm@4000K	250mA	48PCS
AAC25-10FR-P	10W	D86xH78	75	/	950lm@4000K	250mA	36PCS
AAC25-15FR-P	15W	D86xH78	75	/	1450lm@4000K	350mA	36PCS
AAC03-20FR-P	20W	D106xH92	95	/	1900lm@4000K	500mA	24PCS
AAC03-25FR-P	25W	D106xH92	95	/	2380lm@4000K	600mA	24PCS





Matt Black



Mirror

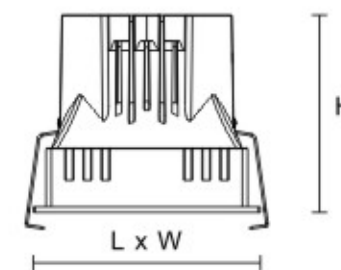


Matt White



Brilliant Black

Ace Square Polarized Downlight



Ace polarized series fixed downlight adopts Bridgelux COB, and ADC12 aluminum heatsink. External driver is exchangeable through quick connector between non-dimmable driver and dimmable driver. It could be used for washing wall, LOGO, artwork, etc.

LED: Bridgelux COB
 Driver: Cupower/AGT/Lifud/Tridonic/BOKE
 Input: 200-240V 50/60Hz
 Flicker FREE
 CRI ≥ 80/90
 UGR < 16



Code	Watt	Size	Cutout	Beam Angle	Lumen(±5%)	Current	Q'ty/CTN
AAC02-07FS-P	7W	L64xW64xH59	55x55	/	670lm@4000K	200mA	48PCS
AAC02-10FS-P	10W	L64xW64xH59	55x55	/	950lm@4000K	250mA	48PCS
AAC25-10FS-P	10W	L86xW86xH78	75x75	/	950lm@4000K	250mA	36PCS
AAC25-15FS-P	15W	L86xW86xH78	75x75	/	1450lm@4000K	350mA	36PCS
AAC03-20FS-P	20W	L106xW106xH92	95x95	/	1900lm@4000K	500mA	24PCS
AAC03-25FS-P	25W	L106xW106xH92	95x95	/	2380lm@4000K	600mA	24PCS



Trimless Series



Matt Black



Mirror

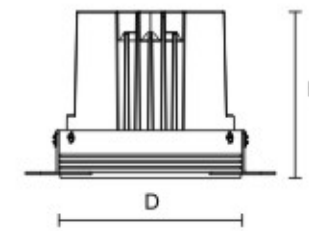


Matt White



Brilliant Black

Ace Round Trimless Downlight



Ace trimless series fixed downlight adopts Bridgelux COB, and ADC12 aluminum heatsink. External driver is exchangeable through quick connector between non-dimmable driver and dimmable driver.

LED: Bridgelux COB
 Driver: Cupower/AGT/Lifud/Tridonic/BOKE
 Input: 200-240V 50/60Hz
 Flicker FREE
 CRI ≥ 80/90
 UGR < 16

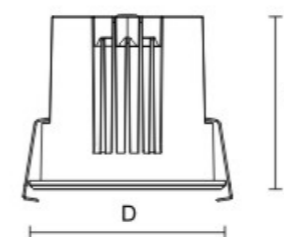


Code	Watt	Size	Cutout	Beam Angle	Lumen(±5%)	Current	Q'ty/CTN
AAC02-07FR-T	7W	D62xH62	70	15/24/38	670lm@4000K	200mA	48PCS
AAC02-10FR-T	10W	D62xH62	70	15/24/38	950lm@4000K	250mA	48PCS
AAC25-10FR-T	10W	D82xH80	90	15/24/38	950lm@4000K	250mA	36PCS
AAC25-15FR-T	15W	D82xH80	90	15/24/38	1450lm@4000K	350mA	36PCS
AAC03-20FR-T	20W	D102xH95	110	15/24/38	1900lm@4000K	500mA	24PCS
AAC03-25FR-T	25W	D102xH95	110	15/24/38	2380lm@4000K	600mA	24PCS





Ace Round Waterproof Downlight



Ace IP65 series fixed downlight adopts Bridgelux COB, and ADC12 aluminum heatsink. External driver is exchangeable through quick connector between non-dimmable driver and dimmable driver.

LED: Bridgelux COB
 Driver: LK(IP65)/Cupower, Lifud, Tridonic(IP20)
 Input: 200-240V 50/60Hz
 Flicker FREE
 CRI ≥ 80/90
 UGR < 16



Code	Watt	Size	Cutout	Beam Angle	Lumen(±5%)	Current	Q'ty/CTN
AAC02-07FR-W	7W	D65xH62	55	15/24/38	670lm@4000K	200mA	48PCS
AAC02-10FR-W	10W	D65xH62	55	15/24/38	950lm@4000K	250mA	48PCS
AAC25-10FR-W	10W	D88xH78	75	15/24/38	950lm@4000K	250mA	36PCS
AAC25-15FR-W	15W	D88xH78	75	15/24/38	1450lm@4000K	350mA	36PCS
AAC03-20FR-W	20W	D107xH92	95	15/24/38	1900lm@4000K	500mA	24PCS
AAC03-25FR-W	25W	D107xH92	95	15/24/38	2380lm@4000K	600mA	24PCS

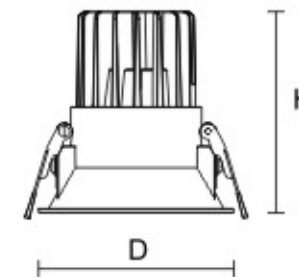
IP65 Series

2700K-6000K

White/Black



AG Super Anti-glare Downlight



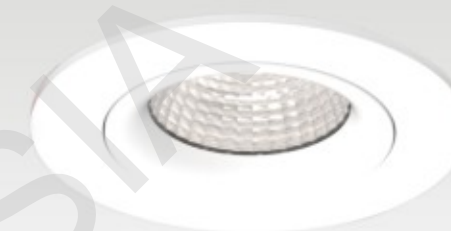
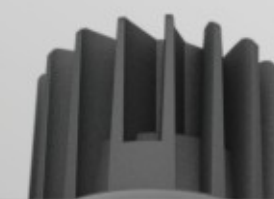
AG super anti-glare series fixed downlight adopts Bridgelux COB, and ADC12 aluminum heatsink. External driver is exchangeable through quick connector between non-dimmable driver and dimmable driver.

LED: Bridgelux COB
 Driver: Cupower/AGT/Lifud/Tridonic/BOKE
 Input: 200-240V 50/60Hz
 Flicker FREE
 CRI ≥ 80/90
 UGR < 16



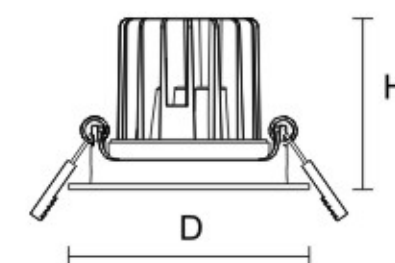
Code	Watt	Size	Cutout	Beam Angle	Lumen(±5%)	Current	Q'ty/CTN
AAG02-05FR	5W	D60xH66	50	15/24/38	670lm@4000K	130mA	48PCS
AAG03-07FR	7W	D83xH81	75	15/24/38	950lm@4000K	200mA	32PCS
AAG35-10FR	10W	D100xH105	90	15/38	950lm@4000K	250mA	32PCS
AAG04-15FR	15W	D130xH116	115	15/38	1450lm@4000K	350mA	18PCS
AAG04-20FR	20W	D130xH116	115	15/38	1900lm@4000K	500mA	18PCS
AAG05-25FR	25W	D160xH125	145	15/24/38	2380lm@4000K	600mA	10PCS
AAG05-30FR	30W	D160xH125	145	15/24/38	2380lm@4000K	700mA	10PCS





Any Flat Ring Adjustable Downlight

A++



LED: Bridgelux COB
 Driver: Cupower/AGT/Lifud/Tridonic/BOKE
 Input: 200-240V 50/60Hz
 Flicker FREE
 CRI ≥ 80/90
 UGR < 16

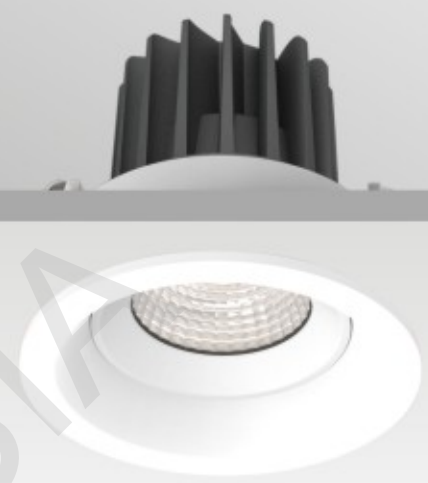


Any round series adjustable downlight adopts Bridgelux COB, and ADC12 aluminum heatsink. External driver is exchangeable through quick connector between non-dimmable driver and dimmable driver.

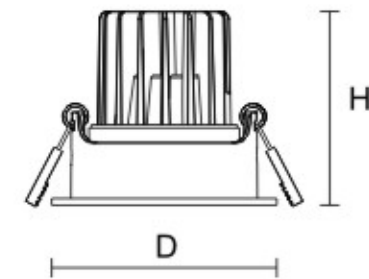
Code	Watt	Size	Cutout	Beam Angle	Lumen(±5%)	Current	Q'ty/CTN
AAN25-05AR-F	5W	D85xH57	75	24/38/60	475lm@4000K	130mA	30PCS
AAN25-07AR-F	7W	D85xH57	75	24/38/60	670lm@4000K	200mA	30PCS
AAN03-07AR-F	7W	D97xH73	85	15/24/36/60	670lm@4000K	200mA	30PCS
AAN03-10AR-F	10W	D97xH73	85	15/24/36/60	950lm@4000K	250mA	30PCS
AAN04-15AR-F	15W	D131xH88	120	15/24/36/60	1450lm@4000K	350mA	20PCS
AAN04-20AR-F	20W	D131xH88	120	15/24/36/60	1900lm@4000K	500mA	20PCS
AAN05-25AR-F	25W	D158xH95	140	15/24/36/60	2380lm@4000K	600mA	10PCS
AAN05-30AR-F	30W	D158xH95	140	15/24/36/60	2850lm@4000K	700mA	10PCS

2700K-6000K

Trim White/Black



Any Deep Ring Adjustable Downlight



LED: Bridgelux COB
 Driver: Cupower/AGT/Lifud/Tridonic/BOKE
 Input: 200-240V 50/60Hz
 Flicker FREE
 CRI ≥ 80/90
 UGR < 16



Any round series adjustable downlight adopts Bridgelux COB, and ADC12 aluminum heatsink. External driver is exchangeable through quick connector between non-dimmable driver and dimmable driver.

Code	Watt	Size	Cutout	Beam Angle	Lumen(±5%)	Current	Q'ty/CTN
AAN25-05AR-D	5W	D85xH68	75	24/38/60	475lm@4000K	130mA	30PCS
AAN25-07AR-D	7W	D85xH68	75	24/38/60	670lm@4000K	200mA	30PCS
AAN03-07AR-D	7W	D100xH87	85	15/24/36/60	670lm@4000K	200mA	30PCS
AAN03-10AR-D	10W	D100xH87	85	15/24/36/60	950lm@4000K	250mA	30PCS
AAN04-15AR-D	15W	D140xH105	120	15/24/36/60	1450lm@4000K	350mA	20PCS
AAN04-20AR-D	20W	D140xH105	120	15/24/36/60	1900lm@4000K	500mA	20PCS
AAN05-25AR-D	25W	D175xH115	140	15/24/36/60	2380lm@4000K	600mA	10PCS
AAN05-30AR-D	30W	D175xH115	140	15/24/36/60	2850lm@4000K	700mA	10PCS



Arrow

Series



Super Anti-glare

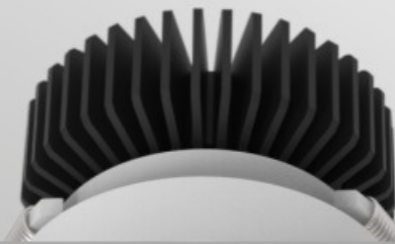
Deep Ring Design
UGR<19



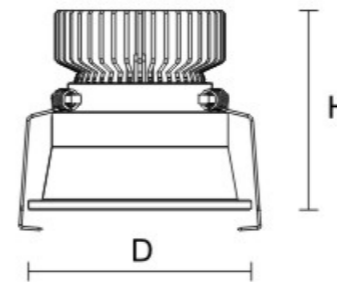
Dining-hall



Bed Room



Arrow Super Anti-glare Adjustable Downlight

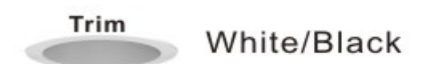


LED: Bridgelux COB
 Driver: Cupower/AGT/Lifud/Tridonic/BOKE
 Input:200-240V 50/60Hz
 Flicker FREE
 CRI≥80/90
 UGR<19



Arrow round series adjustable downlight adopts Bridgelux COB, and ADC12 aluminum heatsink. External driver is exchangeable through quick connector between non-dimmable driver and dimmable driver.

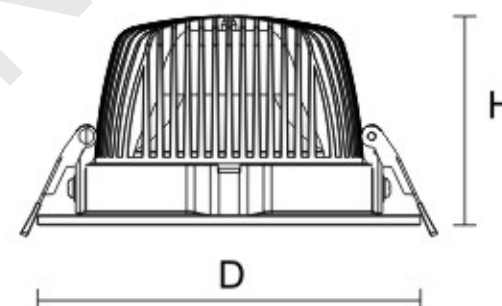
Code	Watt	Size	Cutout	Beam Angle	Lumen(±5%)	Current	Q'ty/CTN
AAW02-05AR	5W	D65xH60	55	20	480lm@4000K	130mA	80PCS
AAW02-07AR	7W	D65xH60	55	20	670lm@4000K	200mA	80PCS
AAW25-07AR	7W	D85xH75	75	15/24/36/60	670lm@4000K	200mA	50PCS
AAW25-10AR	10W	D85xH75	75	15/24/36/60	950lm@4000K	250mA	50PCS
AAW03-15AR	15W	D105xH100	95	15/24/36	1450lm@4000K	350mA	40PCS
AAW03-20AR	20W	D105xH100	95	15/24/36	1900lm@4000K	500mA	40PCS
AAW04-25AR	25W	D130xH125	115	15/24/36	2380lm@4000K	600mA	30PCS
AAW04-30AR	30W	D130xH125	115	15/24/36	2850lm@4000K	700mA	30PCS





Arc

High Power
Round Arc Trim
Downlight



Arc round series fixed downlight adopts Bridgelux COB, and ADC12 aluminum heatsink. External driver is exchangeable through quick connector between non-dimmable driver and dimmable driver.

LED: Bridgelux COB
Driver: Cupower/AGT/Lifud/Tridonic/BOKE
Input: 200-240V 50/60Hz
Flicker FREE
CRI ≥ 80/90
UGR < 20

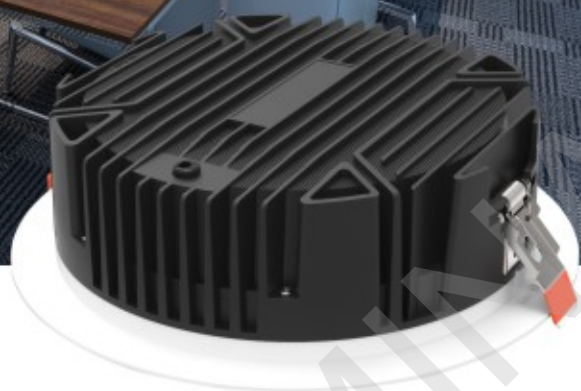


Code	Watt	Size	Cutout	Beam Angle	Lumen(+5%)	Current	Q'ty/CTN
AAR03-07FR	7W	D90xH50	75	38	670lm@4000K	200mA	100PCS
AAR03-10FR	10W	D90xH50	75	38	980lm@4000K	250mA	100PCS
AAR04-12FR	12W	D120xH65	100	60	1150lm@4000K	300mA	60PCS
AAR04-15FR	15W	D120xH65	100	60	1450lm@4000K	350mA	60PCS
AAR05-15FR	15W	D148xH85	120	60	1450lm@4000K	350mA	45PCS
AAR05-20FR	20W	D148xH85	120	60	1900lm@4000K	500mA	45PCS
AAR06-25FR	25W	D200xH105	170	60	2380lm@4000K	600mA	24PCS
AAR06-30FR	30W	D200xH105	170	60	2860lm@4000K	700mA	24PCS
AAR08-40FR	40W	D230xH110	200	60	3800lm@4000K	1050mA	16PCS
AAR08-50FR	50W	D230xH110	200	60	4750lm@4000K	1200mA	16PCS



Lulu Series





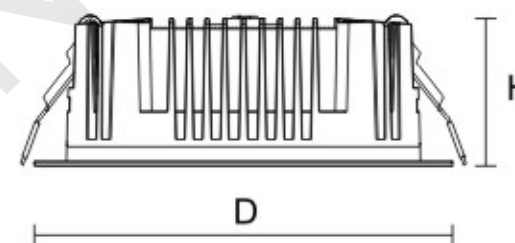
SMD Series



Visual Comfort



Lulu Anti-glare SMD Downlight



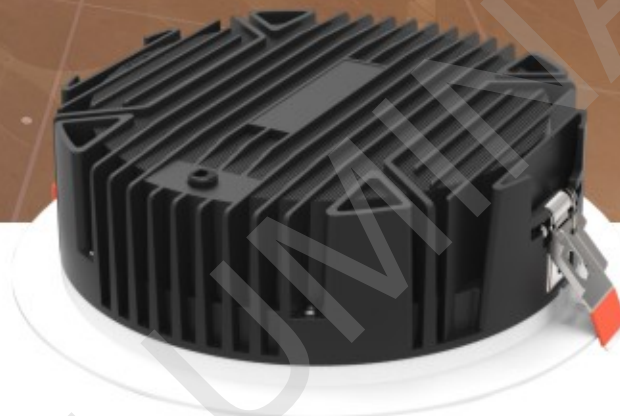
Lulu SMD series fixed downlight adopts Sanan SMD, and ADC12 aluminum heatsink. External driver is exchangeable through quick connector between non-dimmable driver and dimmable driver.

LED: Sanan SMD
 Driver: Cupower/AGT/Lifud/Tridonic/BOKE
 Input: 200-240V 50/60Hz
 Flicker FREE
 CRI ≥ 80/90
 UGR < 22

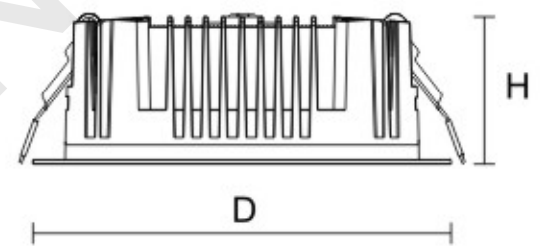


Code	Watt	Size	Cutout	Beam Angle	Lumen(+5%)	Current	Q'ty/CTN
ALU03-07DR	7W	D106xH42	90	90	700lm@4000K	200mA	72PCS
ALU03-10DR	10W	D106xH42	90	90	1000lm@4000K	250mA	72PCS
ALU03-15DR	15W	D106xH42	90	90	1500lm@4000K	350mA	72PCS
ALU04-10DR	10W	D140xH50	120	90	1000lm@4000K	250mA	54PCS
ALU04-15DR	15W	D140xH50	120	90	1500lm@4000K	350mA	54PCS
ALU04-20DR	20W	D140xH50	120	90	2000lm@4000K	500mA	54PCS
ALU06-20DR	20W	D180xH50	160	90	2000lm@4000K	500mA	30PCS
ALU06-25DR	25W	D180xH50	160	90	2500lm@4000K	600mA	30PCS
ALU06-30DR	30W	D180xH50	160	90	3000lm@4000K	700mA	30PCS
ALU08-30DR	30W	D230xH65	200	90	3000lm@4000K	700mA	20PCS
ALU08-35DR	35W	D230xH65	200	90	3500lm@4000K	850mA	20PCS
ALU08-40DR	40W	D230xH65	200	90	4000lm@4000K	1050mA	20PCS





Lulu Anti-glare COB Downlight



LED: Bridgelux COB
 Driver: Cupower/AGT/Lifud/Tridonic/BOKE
 Input:200-240V 50/60Hz
 Flicker FREE
 CRI≥80/90
 UGR<20



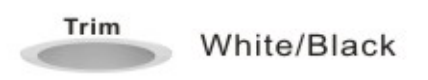
Lulu COB series fixed downlight adopts Bridgelux COB, and ADC12 aluminum heatsink. External driver is exchangeable through quick connector between non-dimmable driver and dimmable driver.

COB Series



Visual Comfort

Code	Watt	Size	Cutout	Beam Angle	Lumen(±5%)	Current	Q'ty/CTN
ALU03-07RR	7W	D106xH42	90	60	700lm@4000K	200mA	72PCS
ALU03-10RR	10W	D106xH42	90	60	1000lm@4000K	250mA	72PCS
ALU03-15RR	15W	D106xH42	90	60	1500lm@4000K	350mA	72PCS
ALU04-10RR	10W	D140xH50	120	60	1000lm@4000K	250mA	54PCS
ALU04-15RR	15W	D140xH50	120	60	1500lm@4000K	350mA	54PCS
ALU04-20RR	20W	D140xH50	120	60	2000lm@4000K	500mA	54PCS
ALU06-20RR	20W	D180xH50	160	60	2000lm@4000K	500mA	30PCS
ALU06-25RR	25W	D180xH50	160	60	2500lm@4000K	600mA	30PCS
ALU06-30RR	30W	D180xH50	160	60	3000lm@4000K	700mA	30PCS
ALU08-30RR	30W	D230xH65	200	60	3000lm@4000K	700mA	20PCS
ALU08-35RR	35W	D230xH65	200	60	3500lm@4000K	850mA	20PCS
ALU08-40RR	40W	D230xH65	200	60	4000lm@4000K	1050mA	20PCS





Brilliant Black

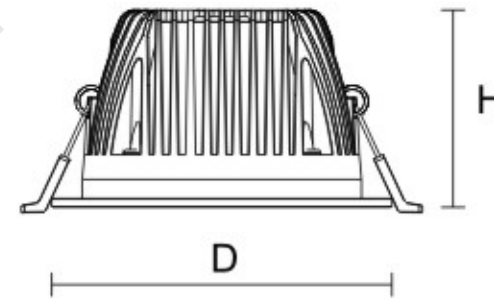


Brilliant White



Brilliant Silver

Lit Super Anti-glare SMD Downlight

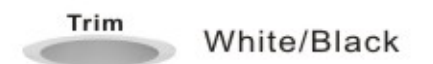


LED: Sanan SMD
 Driver: Cupower/AGT/Lifud/Tridonic/BOKE
 Input: 200-240V 50/60Hz
 Flicker FREE
 CRI ≥ 80/90
 UGR < 21

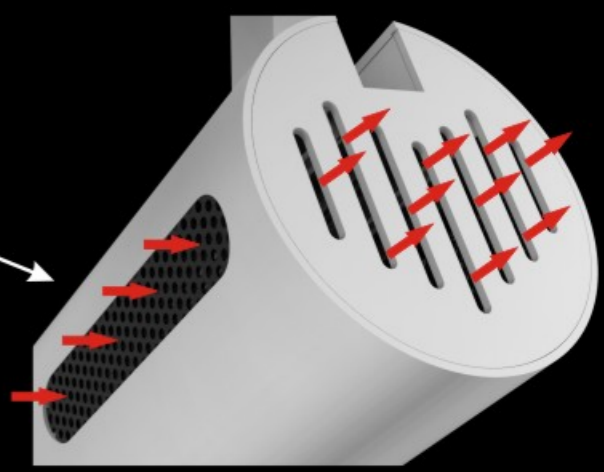


Lit SMD series fixed downlight adopts Sanan SMD, and ADC12 aluminum heatsink. External driver is exchangeable through quick connector between non-dimmable driver and dimmable driver.

Code	Watt	Size	Cutout	Beam Angle	Lumen(±5%)	Current	Q'ty/CTN
ALI25-07DR	7W	D88xH46	75	90	670lm@4000K	200mA	100PCS
ALI03-10DR	10W	D105xH60	90	90	950lm@4000K	250mA	60PCS
ALI04-15DR	15W	D130xH68	110	90	1450lm@4000K	350mA	45PCS
ALI06-20DR	20W	D185xH93	165	90	1900lm@4000K	500mA	24PCS
ALI08-30DR	30W	D220xH98	195	90	2850lm@4000K	700mA	16PCS



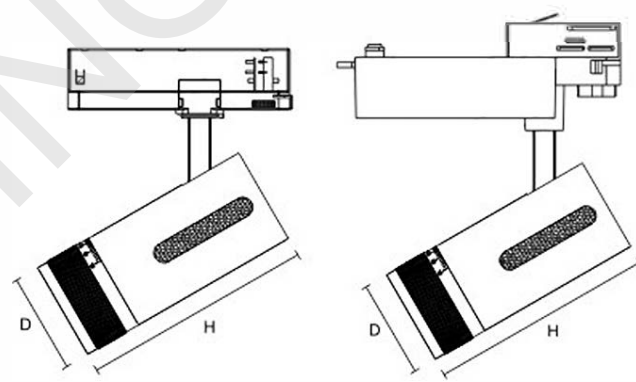
Plus Series



**15°-60° Zoomable Track Light
Unique Design**



Plus Zoomable Track Light



Plus zoomable series track light adopts Bridgelux COB, and 1070 Aluminum housing. Provide 3 types of sizes, the slim body gives great art lighting effect.

LED: Bridgelux COB
 Driver: Alllooking/Powergear/Lifud/Tridonic
 Input: 200-240V 50/60Hz
 Flicker FREE
 CRI ≥ 80/90
 UGR < 16



Driver in Adaptor Version:

Code	Watt	Size	Phase	Beam Angle	Lumen(+5%)	Current	Q'ty/CTN
APL62-15ZA	15W	D62xH160	2/3	15-60	1400lm@4000K	350mA	36PCS
APL72-20ZA	20W	D72xH167	2/3	15-60	1800lm@4000K	500mA	30PCS
APL80-30ZA	30W	D80xH171	2/3	15-60	2700lm@4000K	700mA	20PCS

Driver in Box Version:

Code	Watt	Size	Phase	Beam Angle	Lumen(+5%)	Current	Q'ty/CTN
APL62-15ZB	15W	D62xH160	1/2/3	15-60	1400lm@4000K	350mA	36PCS
APL72-20ZB	20W	D72xH167	1/2/3	15-60	1800lm@4000K	500mA	30PCS
APL80-30ZB	30W	D80xH171	1/2/3	15-60	2700lm@4000K	700mA	20PCS

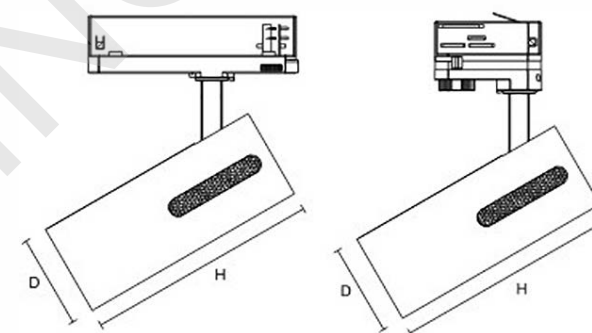


Housing White/Black



Lens Option Reflector Option

Plus Regular Track Light



Plus regular series track light adopts Bridgelux COB, and 1070 Aluminum housing. Provide lens and reflector options, the slim body gives great performance for accent lighting.

LED: Bridgelux COB
 Driver: Alllooking/Powergear/Lifud/Tridonic
 Input: 200-240V 50/60Hz
 Flicker FREE
 CRI ≥ 80/90
 UGR < 16



Driver in Adaptor Version:

Code	Watt	Size	Phase	Beam Angle	Lumen(+5%)	Current	Q'ty/CTN
APL62-15RA	15W	D62xH160	2/3	15/24/36/60	1500lm@4000K	350mA	36PCS
APL72-20RA	20W	D72xH167	2/3	15/24/36/60	2000lm@4000K	500mA	30PCS
APL80-30RA	30W	D80xH171	2/3	15/24/36/60	3000lm@4000K	700mA	20PCS

Driver in Built-in Lamp Version:

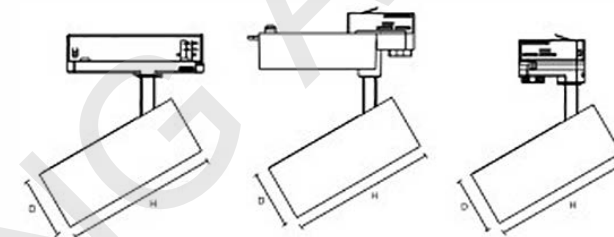
Code	Watt	Size	Phase	Beam Angle	Lumen(+5%)	Current	Q'ty/CTN
APL62-15RT	15W	D62xH160	1/2/3	15/24/36/60	1500lm@4000K	350mA	36PCS
APL72-20RT	20W	D72xH167	1/2/3	15/24/36/60	2000lm@4000K	500mA	30PCS
APL80-30RT	30W	D80xH171	1/2/3	15/24/36/60	3000lm@4000K	700mA	20PCS



Housing White/Black



Pop U Track Light



Popu series track light adopts Bridgelux COB, and 6063 Aluminum housing. Provide 3 types of sizes, could create a diversified and dramatic atmosphere lighting effect. Better for retail lighting use.

LED: Bridgelux COB
 Driver: Alllooking/Powergear/Lifud/Tridonic
 Input:200-240V 50/60Hz
 Flicker FREE
 CRI≥80/90
 UGR<16



Driver in Adaptor Version:

Code	Watt	Size	Phase	Beam Angle	Lumen(±5%)	Current	Q'ty/CTN
APO49-07A	7W	D49xH130	2/3	15/24/36	700lm@4000K	180mA	36PCS
APO49-10A	10W	D49xH130	2/3	15/24/36	1000lm@4000K	250mA	36PCS
APO65-10A	10W	D65xH150	2/3	15/24/36	1000lm@4000K	250mA	30PCS
APO65-15A	15W	D65xH150	2/3	15/24/36	1500lm@4000K	350mA	30PCS
APO75-20A	20W	D75xH180	2/3	15/24/36	2000lm@4000K	500mA	20PCS
APO75-30A	30W	D75xH180	2/3	15/24/36	3000lm@4000K	700mA	20PCS

Driver in Box Version:

Code	Watt	Size	Phase	Beam Angle	Lumen(±5%)	Current	Q'ty/CTN
APO49-07B	7W	D49xH130	1/2/3	15/24/36	700lm@4000K	180mA	36PCS
APO49-10B	10W	D49xH130	1/2/3	15/24/36	1000lm@4000K	250mA	36PCS
APO65-10B	10W	D65xH150	1/2/3	15/24/36	1000lm@4000K	250mA	30PCS
APO65-15B	15W	D65xH150	1/2/3	15/24/36	1500lm@4000K	350mA	30PCS
APO75-20B	20W	D75xH180	1/2/3	15/24/36	2000lm@4000K	500mA	20PCS
APO75-30B	30W	D75xH180	1/2/3	15/24/36	3000lm@4000K	700mA	20PCS

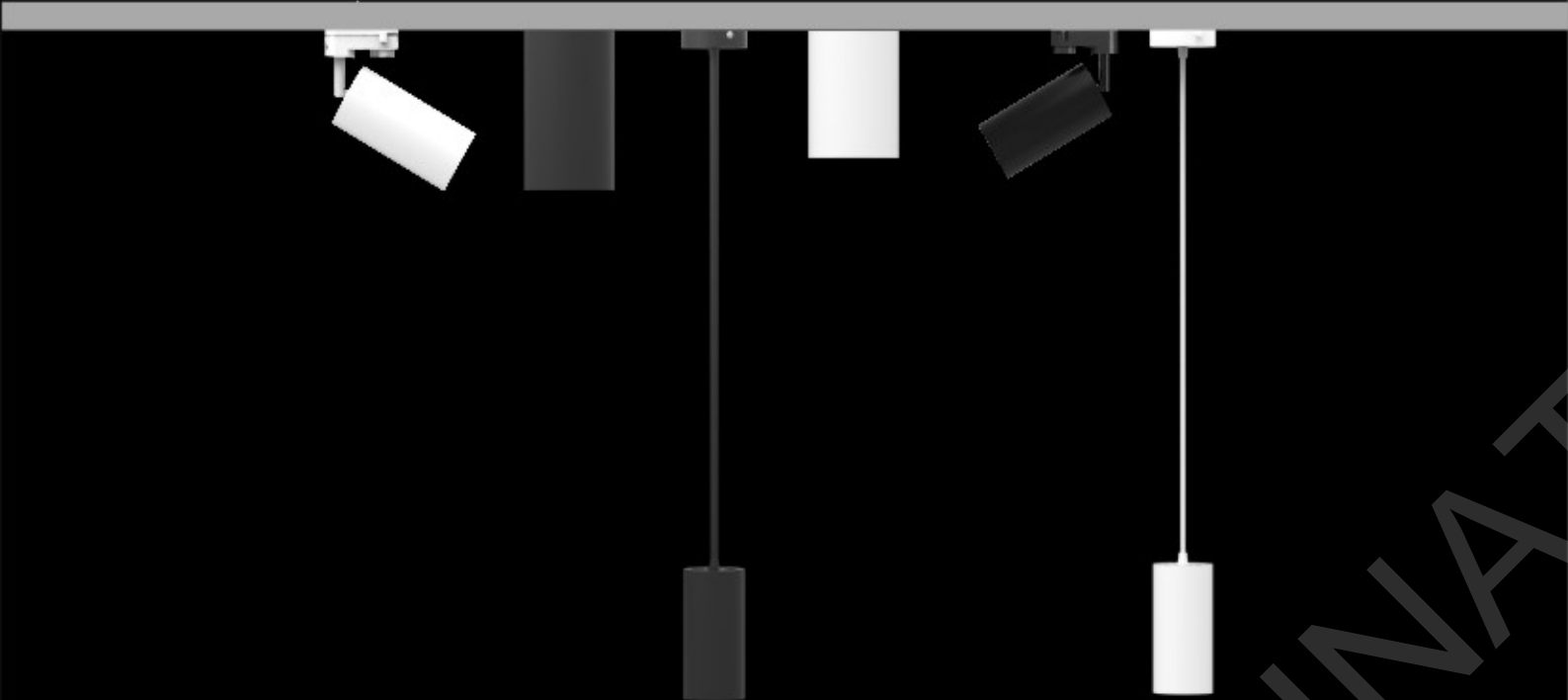
Driver Built-in Lamp Version:

Code	Watt	Size	Phase	Beam Angle	Lumen(±5%)	Current	Q'ty/CTN
APO49-07T	7W	D49xH130	1/2/3	15/24/36	700lm@4000K	180mA	36PCS
APO49-10T	10W	D49xH130	1/2/3	15/24/36	1000lm@4000K	250mA	36PCS
APO65-10T	10W	D65xH150	1/2/3	15/24/36	1000lm@4000K	250mA	30PCS
APO65-15T	15W	D65xH150	1/2/3	15/24/36	1500lm@4000K	350mA	30PCS
APO75-20T	20W	D75xH180	1/2/3	15/24/36	2000lm@4000K	500mA	20PCS
APO75-30T	30W	D75xH180	1/2/3	15/24/36	3000lm@4000K	700mA	20PCS



Housing (-/+%(-y)-/

Sim Series

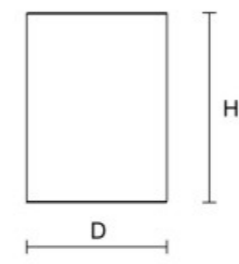


ILLUMINATING ASIA



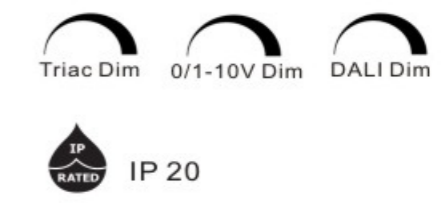


Sim Surface Mounted Light



Sim series surface mounted light adopts Bridgelux chip, and 6063 Aluminum housing. Provide 7 types of sizes, could provide a diversified lighting need. Better for commercial or residential lighting use.

LED: Bridgelux COB
 Driver: Kegud/Tridonic
 Input: 200-240V 50/60Hz
 Flicker FREE
 CRI ≥ 80/90
 UGR < 19

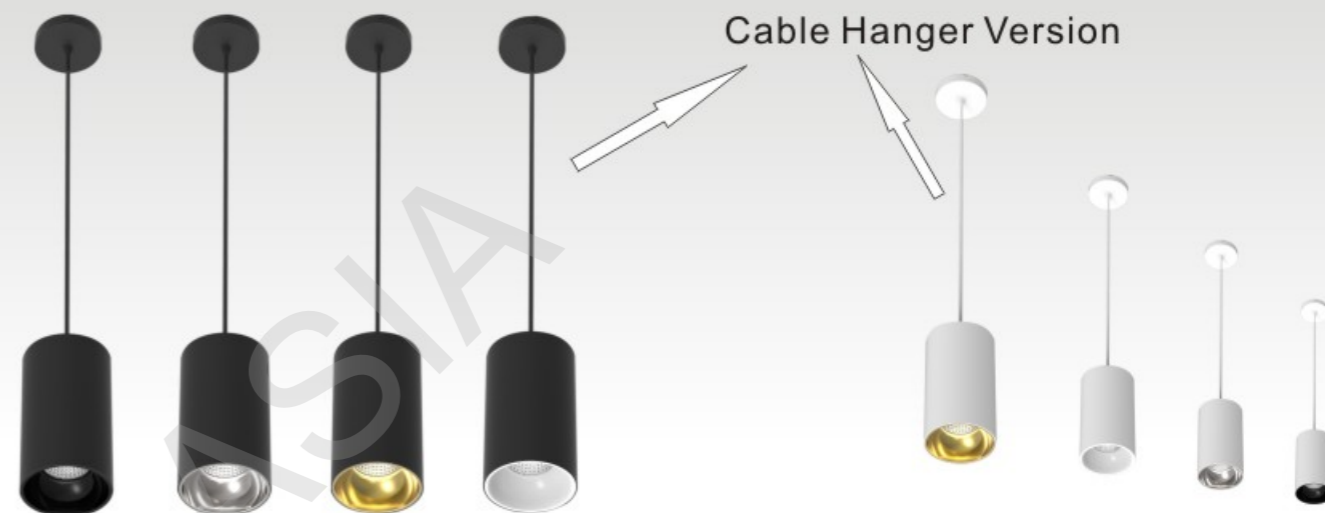


Ceiling Mounted Version:

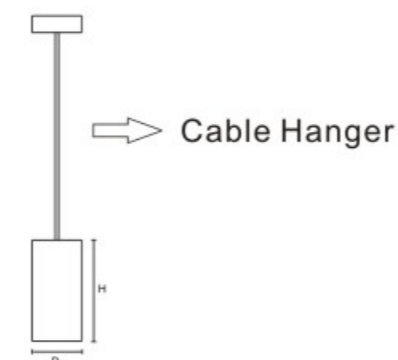
Code	Watt	Size	Beam Angle	Lumen(±5%)	Current	Q'ty/CTN
AS175-10M	10W	D75xH100	10/30/45	1000lm@4000K	250mA	32PCS
AS175-15M	15W	D75xH150	10/30/45	1500lm@4000K	350mA	32PCS
AS195-15M	15W	D95xH115	10/30/45	1500lm@4000K	350mA	30PCS
AS195-20M	20W	D95xH150	10/30/45	2000lm@4000K	500mA	30PCS
AS111-25M	25W	D115xH135	10/30/45	2500lm@4000K	600mA	30PCS
AS111-30M	30W	D115xH160	10/30/45	3000lm@4000K	700mA	30PCS
AS114-40M	40W	D140xH170	10/30/45	4000lm@4000K	1000mA	30PCS

2700K-6000K

Housing White/Black



Sim Suspended Light



LED: Bridgelux COB
 Driver: Kegu/Tridonic
 Input: 200-240V 50/60Hz
 Flicker FREE
 CRI ≥ 80/90
 UGR < 19



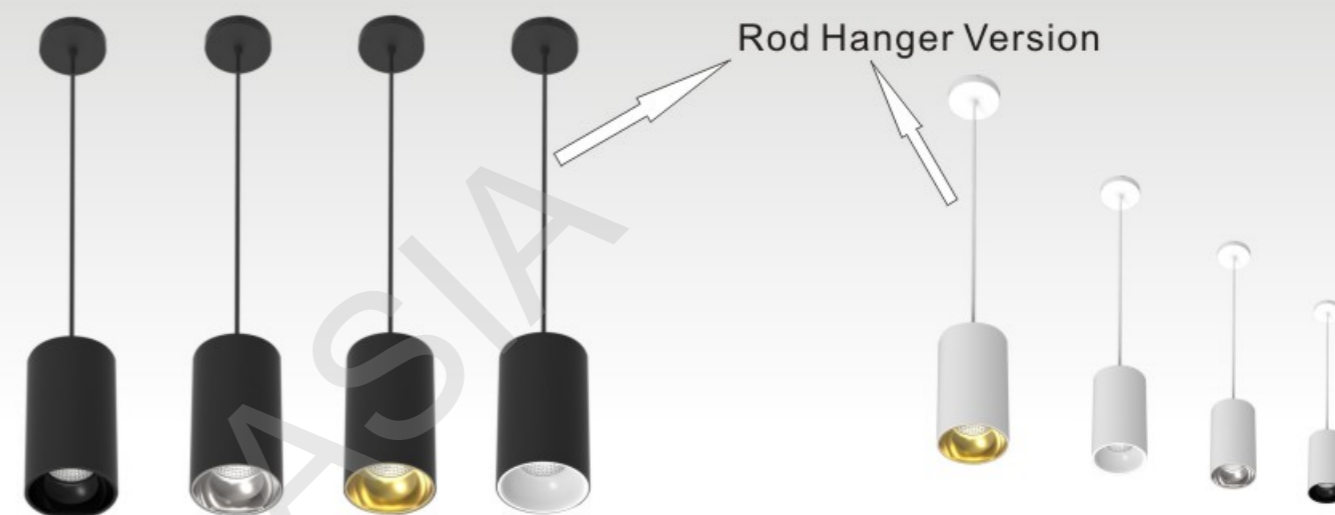
Sim series suspended cable version light adopts Bridgelux chip, and 6063 Aluminum housing. Provide 7 types of sizes, could provide a diversified lighting need. Better for commercial or residential lighting use.

Suspended Cable Version:

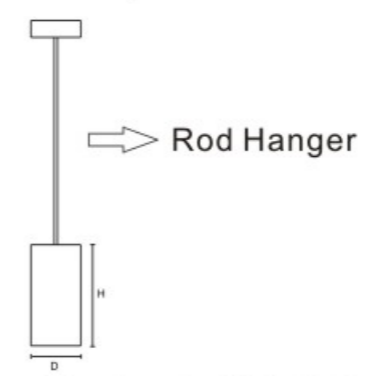
Code	Watt	Size	Beam Angle	Lumen(±5%)	Current	Q'ty/CTN
ASI75-10C	10W	D75xH100	10/30/45	1000lm@4000K	250mA	50PCS
ASI75-15C	15W	D75xH150	10/30/45	1500lm@4000K	350mA	50PCS
ASI95-15C	15W	D95xH115	10/30/45	1500lm@4000K	350mA	50PCS
ASI95-20C	20W	D95xH150	10/30/45	2000lm@4000K	500mA	50PCS
ASI11-25C	25W	D115xH135	10/30/45	2500lm@4000K	600mA	30PCS
ASI11-30C	30W	D115xH160	10/30/45	3000lm@4000K	700mA	30PCS
ASI14-40C	40W	D140xH170	10/30/45	4000lm@4000K	1000mA	12PCS

2700K-6000K

Housing White/Black



Sim Suspended Light



Sim series suspended rod version light adopts Bridgelux chip, and 6063 Aluminum housing. Provide 7 types of sizes, could provide a diversified lighting need. Better for commercial or residential lighting use.

LED: Bridgelux COB
 Driver: Kegu/Tridonic
 Input: 200-240V 50/60Hz
 Flicker FREE
 CRI ≥ 80/90
 UGR < 19



Suspended Rod Version:

Code	Watt	Size	Beam Angle	Lumen(±5%)	Current	Q'ty/CTN
ASI75-10R	10W	D75xH100	10/30/45	1000lm@4000K	250mA	50PCS
ASI75-15R	15W	D75xH150	10/30/45	1500lm@4000K	350mA	50PCS
ASI95-15R	15W	D95xH115	10/30/45	1500lm@4000K	350mA	50PCS
ASI95-20R	20W	D95xH150	10/30/45	2000lm@4000K	500mA	50PCS
ASI11-25R	25W	D115xH135	10/30/45	2500lm@4000K	600mA	30PCS
ASI11-30R	30W	D115xH160	10/30/45	3000lm@4000K	700mA	30PCS
ASI14-40R	40W	D140xH170	10/30/45	4000lm@4000K	1000mA	12PCS

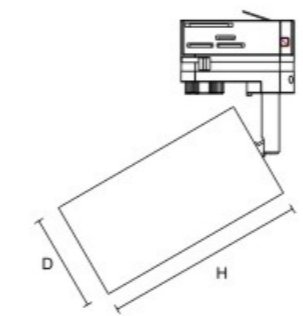
COLORselect 2700K-6000K

Housing White/Black



Sim Track Mounted Light

A++



Sim series track mounted light adopts Bridgelux chip, and 6063 Aluminum housing. Provide 6 types of sizes, could provide a diversified lighting need. Better for commercial or residential lighting use.

LED: Bridgelux COB
 Driver: Kegu/Tridonic
 Input: 200-240V 50/60Hz
 Flicker FREE
 CRI ≥ 80/90
 UGR < 19



Track Mounted Version:

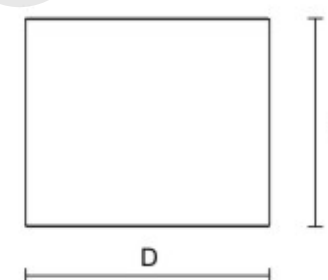
Code	Watt	Size	Phase	Beam Angle	Lumen(±5%)	Current	Q'ty/CTN
ASI75-10T	10W	D75xH100	1/2/3	10/30/45	1000lm@4000K	250mA	36PCS
ASI75-15T	15W	D75xH150	1/2/3	10/30/45	1500lm@4000K	350mA	36PCS
ASI95-15T	15W	D95xH115	1/2/3	10/30/45	1500lm@4000K	350mA	18PCS
ASI95-20T	20W	D95xH150	1/2/3	10/30/45	2000lm@4000K	500mA	18PCS
ASI11-25T	25W	D115xH135	1/2/3	10/30/45	2500lm@4000K	600mA	12PCS
ASI11-30T	30W	D115xH160	1/2/3	10/30/45	3000lm@4000K	700mA	12PCS

COLORselect 2700K-6000K

Housing White/Black



Succì Surface Mounted Light



Succì series ceiling light adopts Sanan/Bridgelux chip, and 6060 Aluminum housing. Provide 3 types of sizes, could provide surface mounted or suspended installation way, have SMD and COB two different versions, Better for commercial or residential lighting use.

LED: Sanan SMD/Bridgelux COB
 Driver: Kegu/Tridonic
 Input: 200-240V 50/60Hz
 Flicker FREE
 CRI ≥ 80/90
 UGR < 20



SMD Version:

Code	Watt	Size	Beam Angle	Lumen(±5%)	Current	Q'ty/CTN
ASU04-10D	10W	D130xH100	90	1000lm@4000K	250mA	36PCS
ASU04-15D	15W	D130xH100	90	1500lm@4000K	350mA	36PCS
ASU06-15D	15W	D160xH115	90	1500lm@4000K	350mA	36PCS
ASU06-20D	20W	D160xH115	90	2000lm@4000K	500mA	36PCS
ASU08-20D	20W	D195xH130	90	2000lm@4000K	500mA	12PCS
ASU08-30D	30W	D195xH130	90	3000lm@4000K	700mA	12PCS

COB Version:

Code	Watt	Size	Beam Angle	Lumen(±5%)	Current	Q'ty/CTN
ASU04-10R	10W	D117xH115	60	1000lm@4000K	250mA	36PCS
ASU04-15R	15W	D117xH115	60	1500lm@4000K	350mA	36PCS
ASU06-15R	15W	D170xH137	60	1500lm@4000K	350mA	18PCS
ASU06-20R	20W	D170xH137	60	2000lm@4000K	500mA	18PCS
ASU08-20R	20W	D200xH140	60	2000lm@4000K	500mA	12PCS
ASU08-30R	30W	D200xH140	60	3000lm@4000K	700mA	12PCS



Housing White/Black

Rora

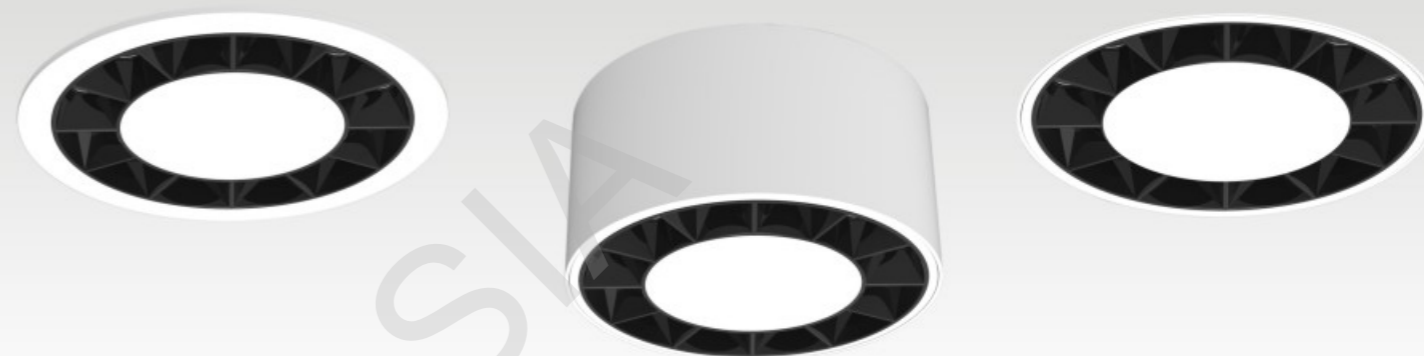
Series



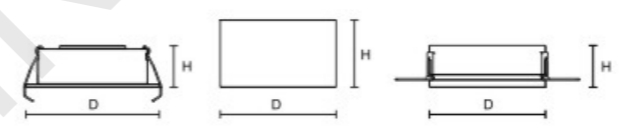
Ceiling Linear Family

Anti-glare Design

UGR<19



Rora Circle Linear Light



Rora series circle light adopts JF3030 chip, and ADC12 aluminum housing. Provide 3 types of installation way, could create a diversified lighting design. Better for commercial or residential lighting use.

- LED: JF3030 SMD
- Driver: Cupower/Kegu/Tridonic
- Input: 200-240V 50/60Hz
- Flicker FREE
- CRI ≥ 80/90
- UGR < 19
-
-

Recessed Version:

Code	Watt	Size	Cutout	Beam Angle	Lumen(±5%)	Current	Q'ty/CTN
ARO06-07R	7W	D90xH50	80	24/45	700lm@4000K	200mA	40PCS
ARO09-12R	12W	D115xH36	105	24/45	1000lm@4000K	300mA	40PCS
ARO12-18R	18W	D128xH36	120	24/45	1000lm@4000K	450mA	30PCS
ARO18-24R	24W	D172xH36	160	24/45	1500lm@4000K	550mA	20PCS

Mounted Version:

Code	Watt	Size	Cutout	Beam Angle	Lumen(±5%)	Current	Q'ty/CTN
ARO06-07M	6W	D78xH58	/	24/45	700lm@4000K	150mA	40PCS
ARO09-12M	10W	D100xH58	/	24/45	1000lm@4000K	250mA	40PCS
ARO12-18M	15W	D115xH58	/	24/45	1000lm@4000K	350mA	30PCS
ARO18-24M	24W	D160xH58	/	24/45	1500lm@4000K	600mA	20PCS

Trimless Version:

Code	Watt	Size	Cutout	Beam Angle	Lumen(±5%)	Current	Q'ty/CTN
ARO06-07T	7W	D78xH58	78	24/45	700lm@4000K	200mA	40PCS
ARO09-12T	12W	D100xH58	100	24/45	1000lm@4000K	300mA	40PCS
ARO12-18T	18W	D115xH58	115	24/45	1000lm@4000K	450mA	30PCS
ARO18-24T	24W	D160xH58	160	24/45	1500lm@4000K	550mA	20PCS

2700K-6000K

Housing White/Black